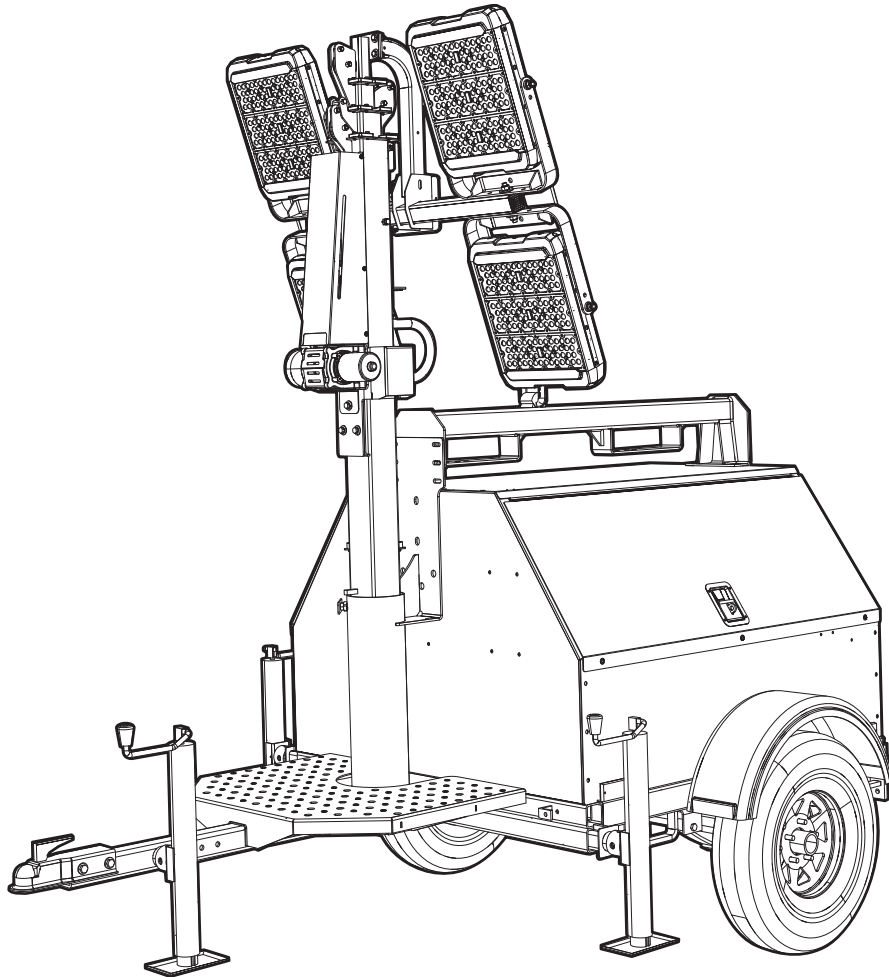


# ***MLT4060-80MKV-LED***

## ***DIESEL LIGHT TOWER PARTS MANUAL***



03798

**MODEL NUMBER:** \_\_\_\_\_

**SERIAL NUMBER:** \_\_\_\_\_

**DATE PURCHASED:** \_\_\_\_\_

***SAVE THIS MANUAL FOR FUTURE REFERENCE***

 **WARNING**

**CANCER AND REPRODUCTIVE HARM**

[www.P65Warnings.ca.gov](http://www.P65Warnings.ca.gov)

(000393a)

 **WARNING**

Breathing diesel engine exhaust exposes you to chemicals known to the State of California to cause cancer and birth defects or other reproductive harm.

- Always start and operate the engine in a well-ventilated area.
- If in an enclosed area, vent the exhaust to the outside.
- Do not modify or tamper with the exhaust system.
- Do not idle the engine except as necessary.

For more information go to

[www.P65Warnings.ca.gov/diesel](http://www.P65Warnings.ca.gov/diesel)

(000394)

# Introduction

This parts manual was prepared based on the information available at the time of publication and is subject to change without notice. Generac Mobile reserves the right to change parts at any time. To check whether a revised parts manual is available, contact Generac Mobile.

DO NOT MODIFY or use this equipment for any application other than which it was designed for. To keep your equipment fully operational, it is suggested you maintain a stock of commonly used maintenance or service parts. A recommended spare parts list can be found in the back of this manual. To order service parts, please go to [www.generacmobileproducts.com](http://www.generacmobileproducts.com) or call Generac Mobile.



## **WARNING**

Consult Manual. Read and understand manual completely before using product. Failure to completely understand manual and product could result in death or serious injury. (000100a)

---

## **WARNING**

Environmental Hazard. Always recycle batteries at an official recycling center in accordance with all local laws and regulations. Failure to do so could result in environmental damage, death, or serious injury. (000228)

---

## **GENERAC MOBILE PRODUCTS LLC**

**215 Power Drive • Berlin, WI 54923 U.S.A.**

**Phone: 920-361-4442**

**FAX: 920-361-4416**

**Toll Free: 1-800-926-9768**

**[www.generacmobileproducts.com](http://www.generacmobileproducts.com)**

**For technical or parts QUESTIONS, contact Generac Mobile Technical Service at 1-800-926-9768.**

Engine Make: \_\_\_\_\_

Engine Serial Number: \_\_\_\_\_

Engine Model Number: \_\_\_\_\_

This Page Intentionally Left Blank

## Table of Contents

Introduction .....	iii
Unit Decals - Exterior .....	2
Unit Decals - Left Side Interior .....	4
Unit Decals - Right Side Interior .....	6
Mast, Junction Box and Lights to Unit .....	8
LED Light Assembly .....	10
Mast Junction Box Assembly .....	12
Mast Assembly .....	14
Mast Assembly - Bottom Post .....	16
Roof and Doors to Unit .....	18
Front, Rear, and Side Panels to Unit .....	20
Control Box to Unit .....	22
Control Box Assembly- Analog .....	24
Control Panel Assembly - Analog .....	26
Control Box Assembly - PowerZone (If Equipped) .....	28
Control Panel Assembly - PowerZone (If Equipped) .....	30
Cooling System Assembly .....	32
Engine and Generator to Unit .....	34
Engine Assembly - Mitsubishi Left Side .....	36
Engine Assembly - Mitsubishi Right Side .....	38
Engine Assembly - Kubota Left Side .....	40
Engine Assembly - Kubota Right Side .....	42
Generator Assembly .....	44
Fuel Tank to Unit .....	46
Trailer Assembly .....	48
Trailer - Hitch Options .....	50
Axle Assembly .....	52
Recommended Spare Parts - Engine and Service Kits - Mitsubishi .....	54
Recommended Spare Parts - Engine and Service Kits - Kubota .....	56
Recommended Spare Parts - Electrical .....	58
Recommended Spare Parts - Misc .....	60



# Parts Manual Instructions

Product illustrations are only representations. Products supplied may vary from the illustrations in this parts manual. Parts not shown in the illustration are indicated by a double dash (--) in the item column.

Please be prepared to provide the following information when ordering replacement parts: model number, serial number (on unit serial tag), part number, purchase order number (if applicable), shipping address, shipping method.

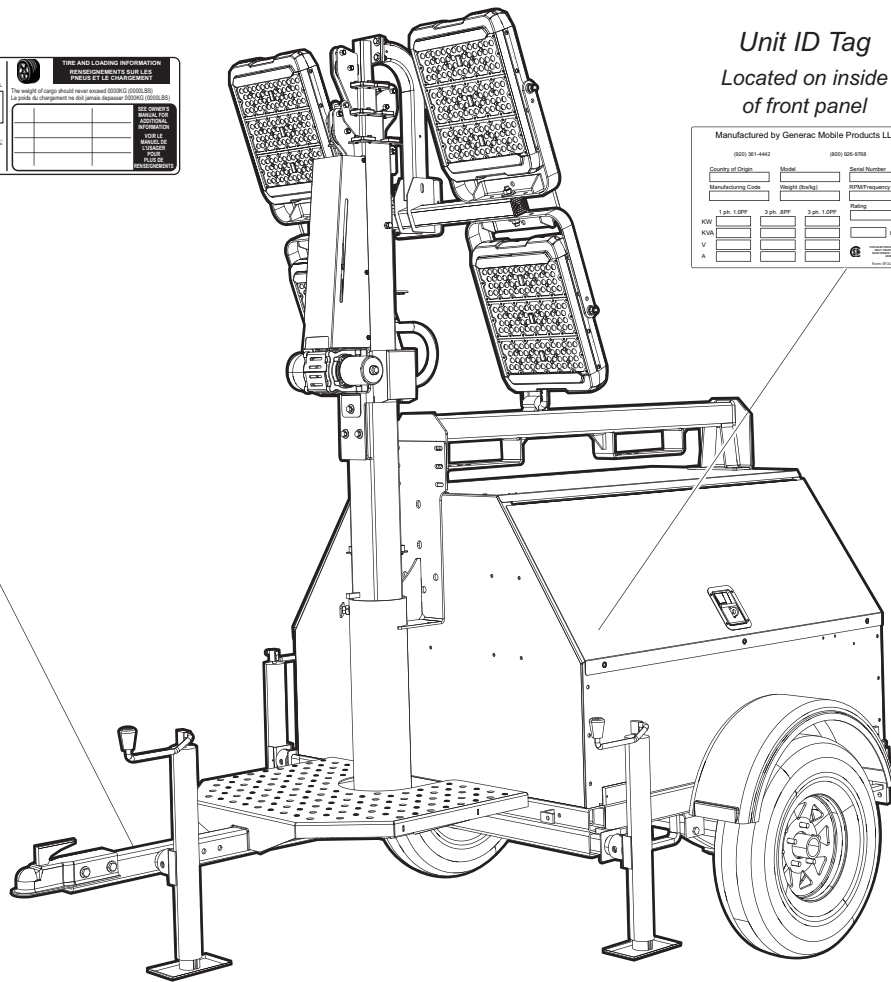
Refer to the illustration below to locate the unit ID tag and Vehicle Identification Number (VIN) tag on the unit. Important information, such as the unit serial number, model number, VIN and tire loading information are found on these tags. Record the information from these tags so it is available if the tags are lost or damaged. When ordering parts or requesting assistance, you may be asked to provide this information.

*VIN Tag*

MANUFACTURED BY FABRIQUE PAR: Generac Mobile Products LLC		COLD INF. PRESUS / DATE: 000000	
GOVERNMENT: 00000 (000000)		PRESUS DE: 00000 (000000)	
SACH: _____	TIRE / PNEU: _____	RIM / JANTE: _____	
EACH AXLE: _____			
<small>THIS SERIAL NUMBER IS THE PROPERTY OF THE MANUFACTURER AND IS NOT TO BE REPRODUCED OR COPIED IN ANY MANNER WITHOUT THE WRITTEN PERMISSION OF THE MANUFACTURER. ANY REPRODUCTION OR COPIING OF THIS SERIAL NUMBER WITHOUT THE WRITTEN PERMISSION OF THE MANUFACTURER IS STRICTLY PROHIBITED AND IS A VIOLATION OF FEDERAL AND STATE LAWS. THE MANUFACTURER ASSUMES NO LIABILITY FOR DAMAGES OF ANY KIND, INCLUDING CONSEQUENTIAL DAMAGES, ARISING FROM THE USE OF THIS SERIAL NUMBER OR FROM THE INFORMATION CONTAINED HEREIN.</small>			
VIN: 0000000000000000		MODEL: XXX000	
		TYPE: TRAILER	

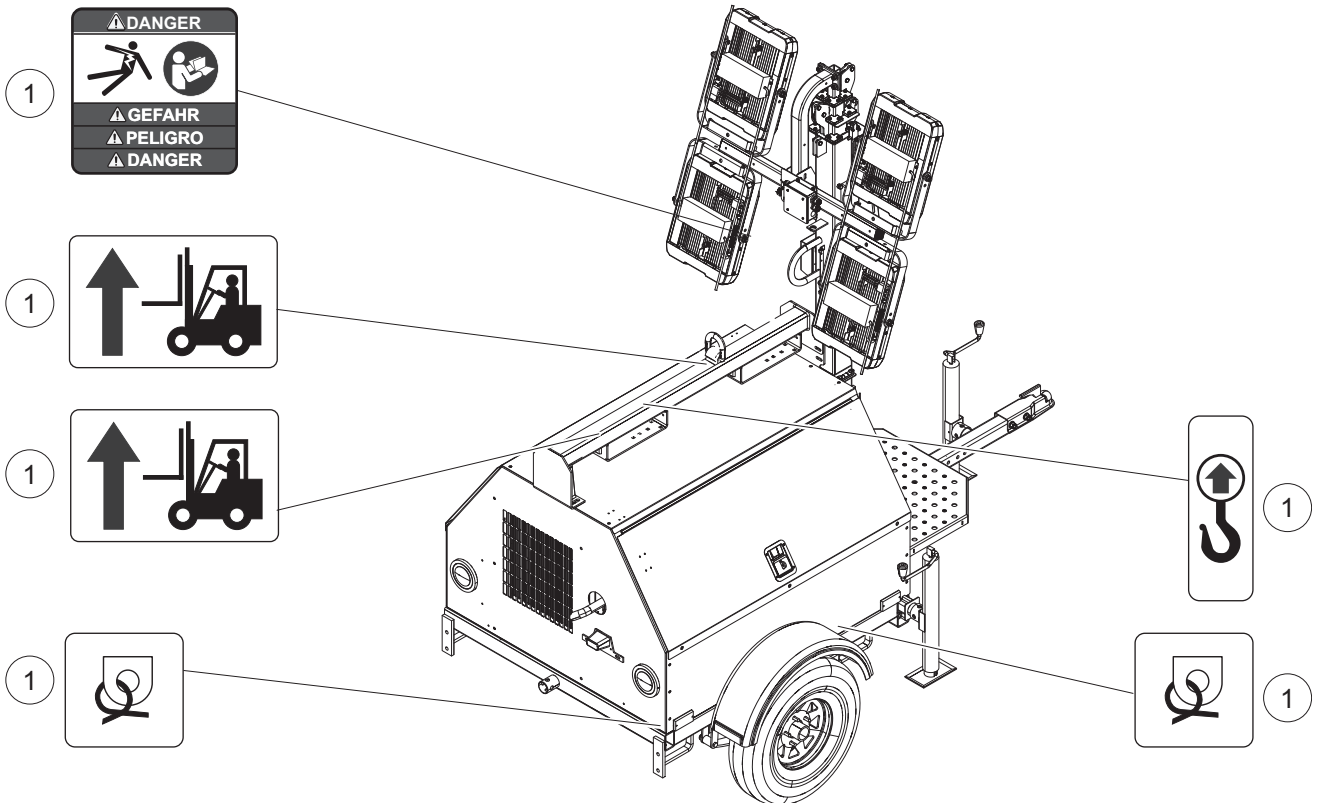
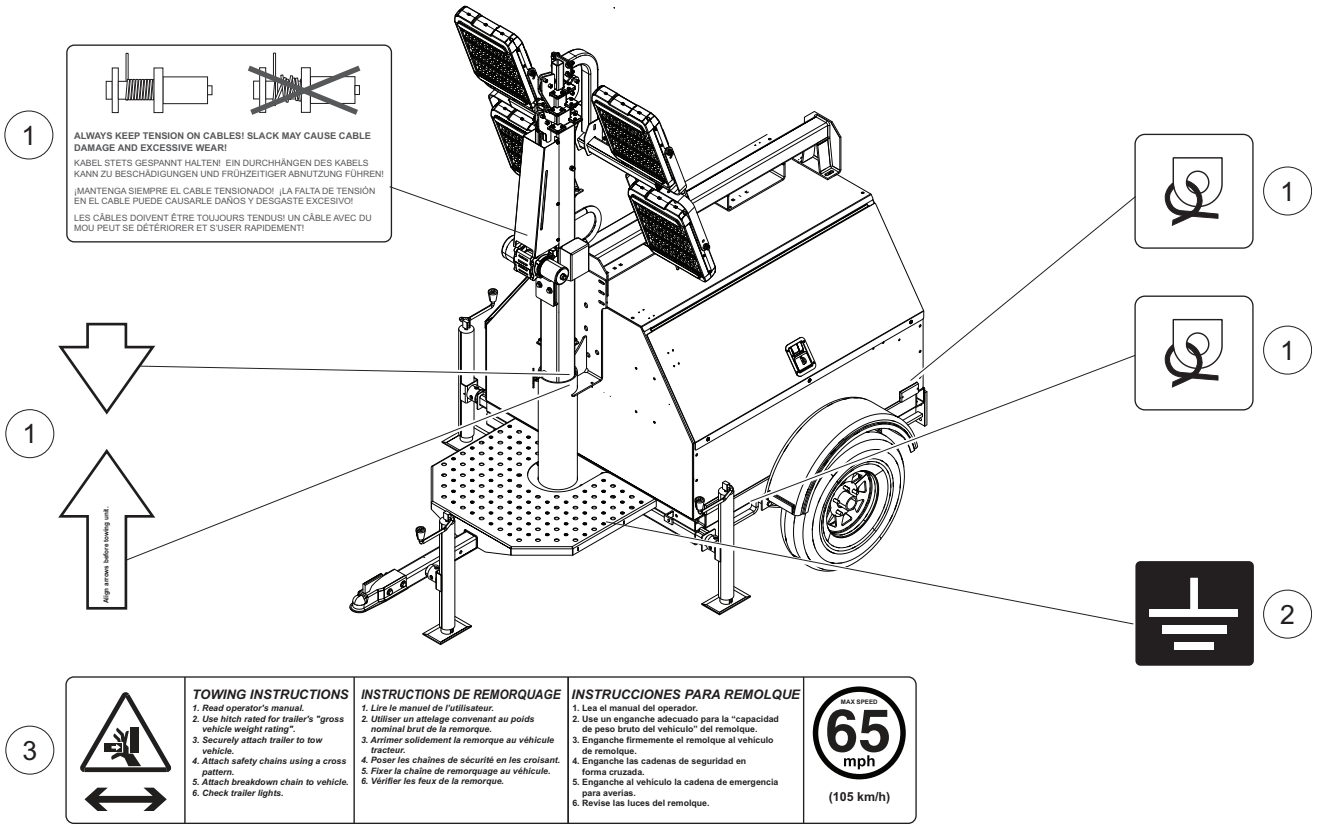
*Unit ID Tag  
Located on inside  
of front panel*

Country of Origin			Model	Serial Number
Manufacturing Code	Height (Inches)	Tire Frequency		
1 ph. 1.00P	2 ph. 80P	3 ph. 1.00P	Rating	
RW			Vol. Class	
RV				
V				
A				



03797

# UNIT DECALS - EXTERIOR



03796

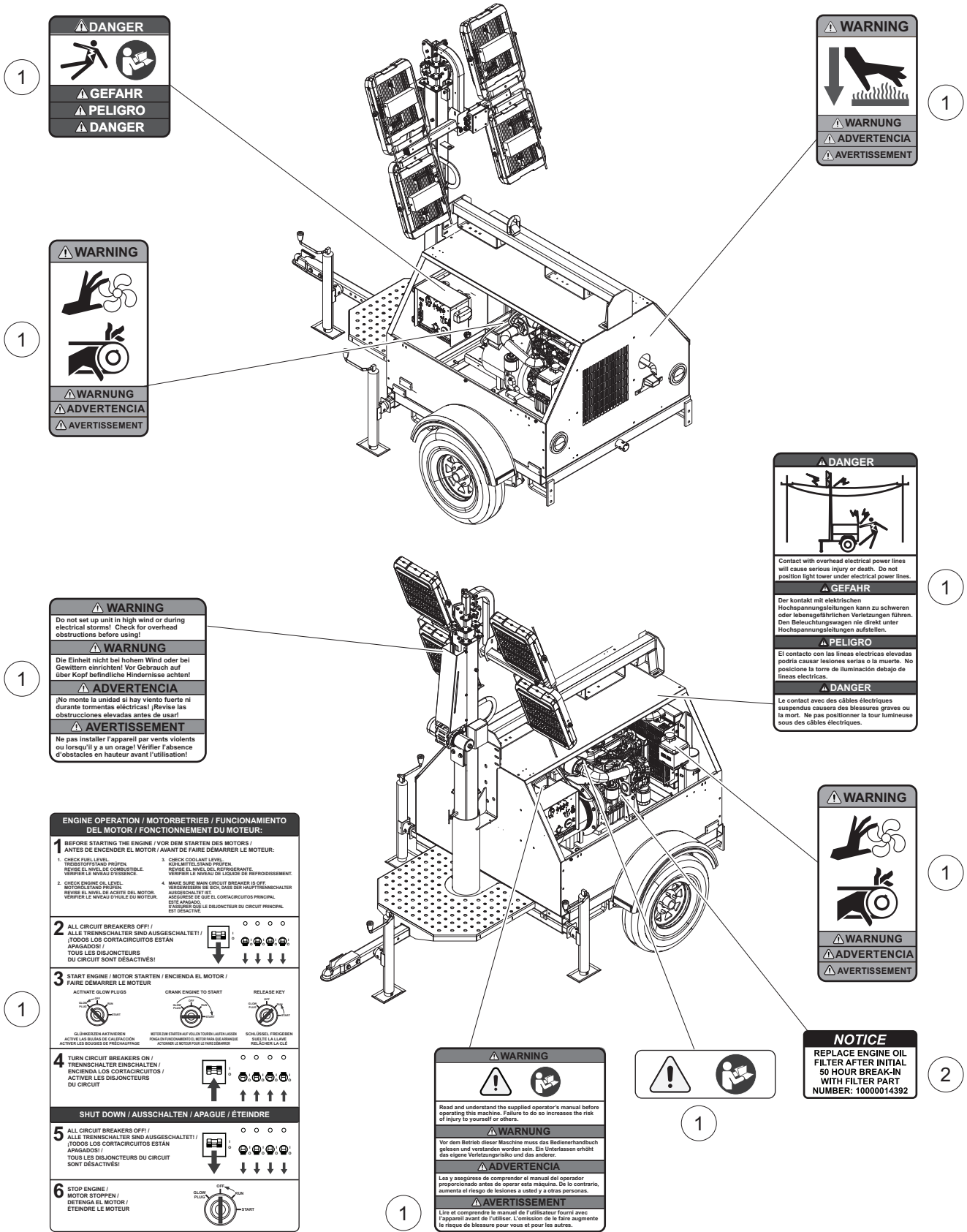


## UNIT DECALS - EXTERIOR

---

Item	Part No.	Qty	Description	Notes
1	A0002871539	1	DECAL, SAFETY	
2	12142	1	DECAL, GROUND	
3	A0004245896	1	DECAL MLT TOWING INSTR WITH 65MPH	

# UNIT DECALS - LEFT SIDE INTERIOR



**⚠ DANGER**

**⚠ GEFAHR**  
**⚠ PELIGRO**  
**⚠ DANGER**

**⚠ WARNING**

**⚠ WARNUNG**  
**⚠ ADVERTENCIA**  
**⚠ AVERTISSEMENT**

**⚠ WARNING**

**⚠ WARNUNG**  
**⚠ ADVERTENCIA**  
**⚠ AVERTISSEMENT**

**⚠ WARNING**  
Do not set up unit in high wind or during electrical storms! Check for overhead obstructions before using!

**⚠ WARNUNG**  
Die Einheit nicht bei hohem Wind oder bei Gewittern einrichten! Vor Gebrauch auf über Kopf befindliche Hindernisse achten!

**⚠ ADVERTENCIA**  
No monte la unidad si hay viento fuerte ni durante tormentas eléctricas! Revisa las obstrucciones elevadas antes de usar!

**⚠ AVERTISSEMENT**  
Ne pas installer l'appareil par vents violents ou lorsqu'il y a un orage! Vérifier l'absence d'obstacles en hauteur avant l'utilisation!

**⚠ DANGER**

Contact with overhead electrical power lines will cause serious injury or death. Do not position light tower under electrical power lines.

**⚠ GEFAHR**  
Der Kontakt mit elektrischen Hochspannungsleitungen kann zu schweren oder lebensgefährlichen Verletzungen führen. Den Beleuchtungswagen nie direkt unter Hochspannungsleitungen aufstellen.

**⚠ PELIGRO**  
El contacto con las líneas eléctricas elevadas podría causar lesiones serias o la muerte. No posicione la torre de iluminación debajo de líneas eléctricas.

**⚠ DANGER**  
Le contact avec des câbles électriques suspendus causera des blessures graves ou la mort. Ne pas positionner la tour lumineuse sous des câbles électriques.

**ENGINE OPERATION / MOTORBETRIEB / FUNCIONAMIENTO DEL MOTOR / FONCTIONNEMENT DU MOTEUR:**

**1 BEFORE STARTING THE ENGINE / VOR DEM STARTEN DES MOTORS / ANTES DE ENCENDER EL MOTOR / AVANT DE FAIRE DEMARRER LE MOTEUR:**

1. CHECK FUEL LEVEL. TREIBSTOFFSTAND PRÜFEN. REVISAR EL NIVEL DE COMBUSTIBLE. VÉRIFIER LE NIVEAU D'ESSENCE.

2. CHECK ENGINE OIL LEVEL. MOTORÖLSTAND PRÜFEN. REVISAR EL NIVEL DE ACEITE DEL MOTOR. VÉRIFIER LE NIVEAU D'HUILE DU MOTEUR.

3. CHECK COOLANT LEVEL. KÜHMITTELSTAND PRÜFEN. REVISAR EL NIVEL DEL REFRIGERANTE. VÉRIFIER LE NIVEAU DE LIQUIDE DE REFRIGÉREMENT.

4. MAKE SURE MAIN CIRCUIT BREAKER IS OFF. HAUPTSTROMSCHALTER AUS. ASEGURARSE DE QUE EL CONTACTOCIRCUITO PRINCIPAL ESTE APAGADO. ASSURER QUE LE DISJONCTEUR DU CIRCUIT PRINCIPAL EST DÉACTIVÉ.

**2 ALL CIRCUIT BREAKERS OFF! / ALLE TRENSCHALTER SIND AUSGESCHALTET! / TODOS LOS CORTACIRCUITOS ESTÁN APAGADOS! / TOUS LES DISJONCTEURS DU CIRCUIT SONT DÉACTIVÉS!**

**3 START ENGINE / MOTOR STARTEN / ENCIENDA EL MOTOR / FAIRE DÉMARRER LE MOTEUR:**

ACTIVATE GLOW PLUGS      CRANK ENGINE TO START      RELEASE KEY

**4 TURN CIRCUIT BREAKERS ON! / TRENSCHALTER EINSCHALTEN / ENCIENDA LOS CORTACIRCUITOS / ACTIVER LES DISJONCTEURS DU CIRCUIT**

**SHUT DOWN / AUSSCHALTEN / APAGUE / ÉTEINDRE**

**5 ALL CIRCUIT BREAKERS OFF! / ALLE TRENSCHALTER SIND AUSGESCHALTET! / TODOS LOS CORTACIRCUITOS ESTÁN APAGADOS! / TOUS LES DISJONCTEURS DU CIRCUIT SONT DÉACTIVÉS!**

**6 STOP ENGINE / MOTOR STOPPEN / DETENGA EL MOTOR / ÉTEINDRE LE MOTEUR**

**⚠ WARNING**

Read and understand the supplied operator's manual before operating this machine. Failure to do so increases the risk of injury to yourself or others.

**⚠ WARNUNG**  
Vor dem Betrieb dieser Maschine muss das Bedienerhandbuch gelesen und verstanden worden sein. Ein Unterlassen erhöht das eigene Verletzungsrisiko und das anderer.

**⚠ ADVERTENCIA**  
Lea y asegúrese de comprender el manual del operador proporcionado antes de operar esta máquina. De lo contrario, aumenta el riesgo de lesiones a usted y a otras personas.

**⚠ AVERTISSEMENT**  
Lire et comprendre le manuel de l'utilisateur fourni avec l'appareil avant de l'utiliser. L'omission de le faire augmente le risque de blessure pour vous et pour les autres.

**⚠ WARNING**

**⚠ WARNUNG**  
**⚠ ADVERTENCIA**  
**⚠ AVERTISSEMENT**

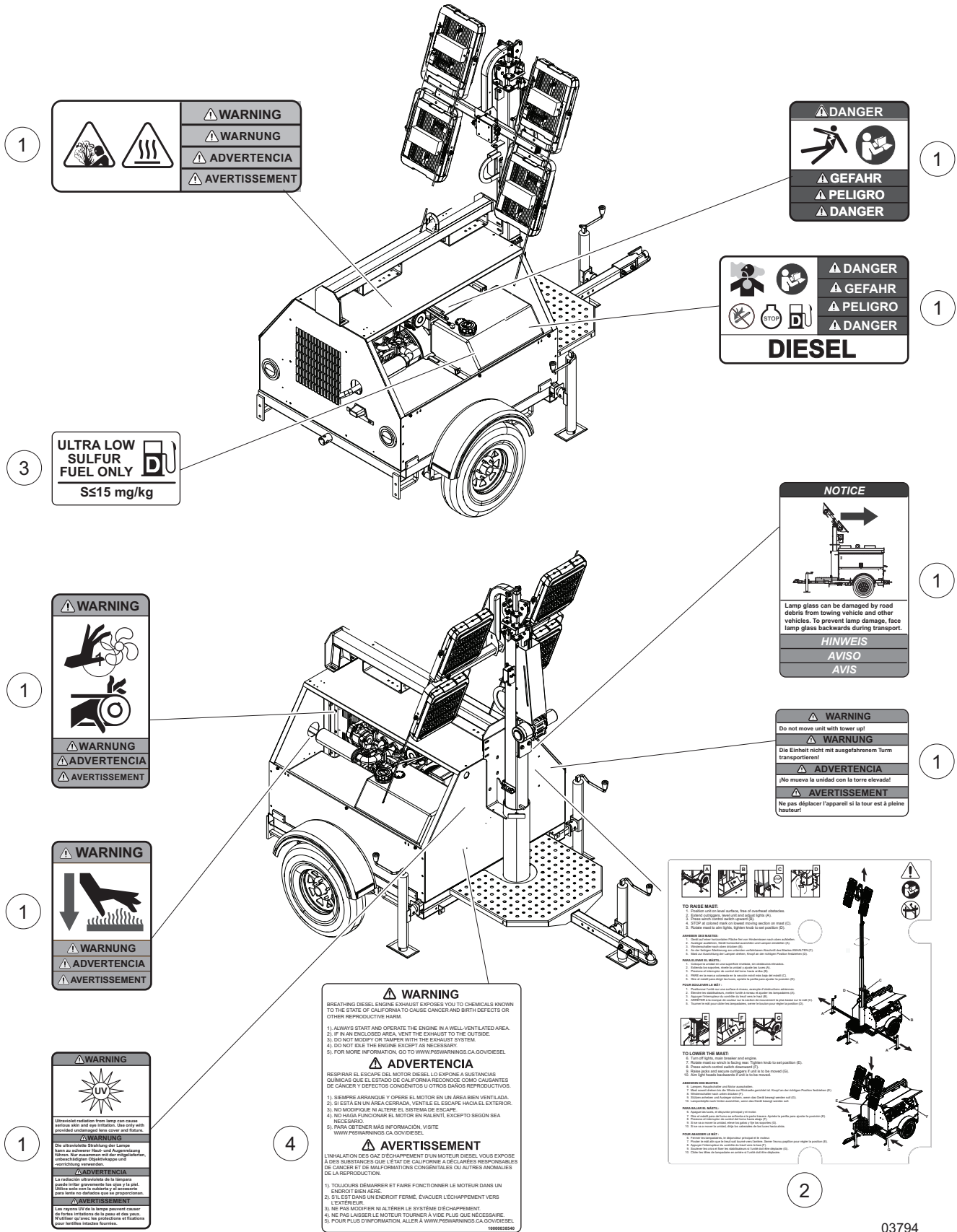
**NOTICE**  
REPLACE ENGINE OIL FILTER AFTER INITIAL 50 HOUR BREAK-IN WITH FILTER PART NUMBER: 10000014392

## UNIT DECALS - LEFT SIDE INTERIOR

---

Item	Part No.	Qty	Description	Notes
1	A0002871539	1	DECAL, SAFETY	
2	10000014196	1	DECAL, 50 HOUR OIL FILTER	

# UNIT DECALS - RIGHT SIDE INTERIOR



**1**

	<b>⚠ WARNING</b>
	<b>⚠ WARNUNG</b>
	<b>⚠ ADVERTENCIA</b>
	<b>⚠ AVERTISSEMENT</b>

**1**

<b>⚠ DANGER</b>
<b>⚠ GEFAHR</b>
<b>⚠ PELIGRO</b>
<b>⚠ DANGER</b>

**1**

	<b>⚠ DANGER</b>
	<b>⚠ GEFAHR</b>
	<b>⚠ PELIGRO</b>
	<b>⚠ DANGER</b>
<b>DIESEL</b>	

**3**

<b>ULTRA LOW SULFUR FUEL ONLY</b>
<b>S≤15 mg/kg</b>

**1**

<b>NOTICE</b>
Lamp glass can be damaged by road debris from towing vehicle and other vehicles. To prevent lamp damage, face lamp glass backwards during transport.
<b>HINWEIS</b>
<b>AVISO</b>
<b>AVIS</b>

**1**

<b>⚠ WARNING</b>
<b>⚠ WARNING</b>
<b>⚠ ADVERTENCIA</b>
<b>⚠ AVERTISSEMENT</b>

**1**

<b>⚠ WARNING</b>
Do not move unit with tower up!
<b>⚠ WARNING</b>
Die Einheit nicht mit ausgefahrenem Turm transportieren!
<b>⚠ ADVERTENCIA</b>
No mover la unidad con la torre elevada!
<b>⚠ AVERTISSEMENT</b>
Ne pas déplacer l'appareil si la tour est à pleine hauteur!

**1**

<b>⚠ WARNING</b>
<b>⚠ WARNING</b>
<b>⚠ ADVERTENCIA</b>
<b>⚠ AVERTISSEMENT</b>

**4**

<b>⚠ WARNING</b>
BREATHING DIESEL ENGINE EXHAUST EXPOSES YOU TO CHEMICALS KNOWN TO THE STATE OF CALIFORNIA TO CAUSE CANCER AND BIRTH DEFECTS OR OTHER REPRODUCTIVE HARM.
1) ALWAYS START AND OPERATE THE ENGINE IN A WELL-VENTILATED AREA.
2) IF IN AN ENCLOSED AREA, VENT THE EXHAUST TO THE OUTSIDE.
3) DO NOT MODIFY OR TAMPER WITH THE EXHAUST SYSTEM.
4) DO NOT RISE THE ENGINE EXCEPT AS NECESSARY.
5) FOR MORE INFORMATION, GO TO WWW.P6SWARNINGS.CA.GOV/DIESEL.
<b>⚠ ADVERTENCIA</b>
RESPIRAR EL ESCAPE DEL MOTOR DIESEL LO EXPONE A SUSTANCIAS QUÍMICAS QUE EL ESTADO DE CALIFORNIA RECONOCE COMO CAUSANTES DE CÁNCER Y DEFECTOS CONGÉNITOS U OTROS DAÑOS REPRODUCTIVOS.
1) SIEMPRE ARRANQUE Y OPERE EL MOTOR EN UN ÁREA BIEN VENTILADA.
2) SI ESTÁ EN UN ÁREA CERRADA, VENTILE EL ESCAPE HACIA EL EXTERIOR.
3) NO MODIFIQUE NI ALTERE EL SISTEMA DE ESCAPE.
4) NO HAGA FUNCIONAR EL MOTOR EN RÁPIDO, EXCEPTO SEGÚN SEA NECESARIO.
5) PARA OBTENER MÁS INFORMACIÓN, VISITE WWW.P6SWARNINGS.CA.GOV/DIESEL.
<b>⚠ AVERTISSEMENT</b>
L'INHALATION DES GAZ D'ÉCHAPPEMENT D'UN MOTEUR DIESEL VOUS EXPOSE À DES SUBSTANCES QUE L'ÉTAT DE CALIFORNIE SE CLASSE RESPONSABLES DE CANCER ET DE MALFORMATIONS CONGÉNITALES OU AUTRES ANOMALIES DE LA REPRODUCTION.
1) TOUJOURS DÉMARRER ET FAIRE FONCTIONNER LE MOTEUR DANS UN ENDROIT BIEN AÉRIÉ.
2) S'IL EST DANS UN ENDROIT FERMÉ, ÉVACUER L'ÉCHAPPEMENT VERS L'EXTÉRIEUR.
3) NE PAS MODIFIER NI ALTERER LE SYSTÈME D'ÉCHAPPEMENT.
4) NE PAS LAISSER LE MOTEUR TOURNER À VIDE PLUS QUE NÉCESSAIRE.
5) POUR PLUS D'INFORMATION, ALLER À WWW.P6SWARNINGS.CA.GOV/DIESEL.

**2**

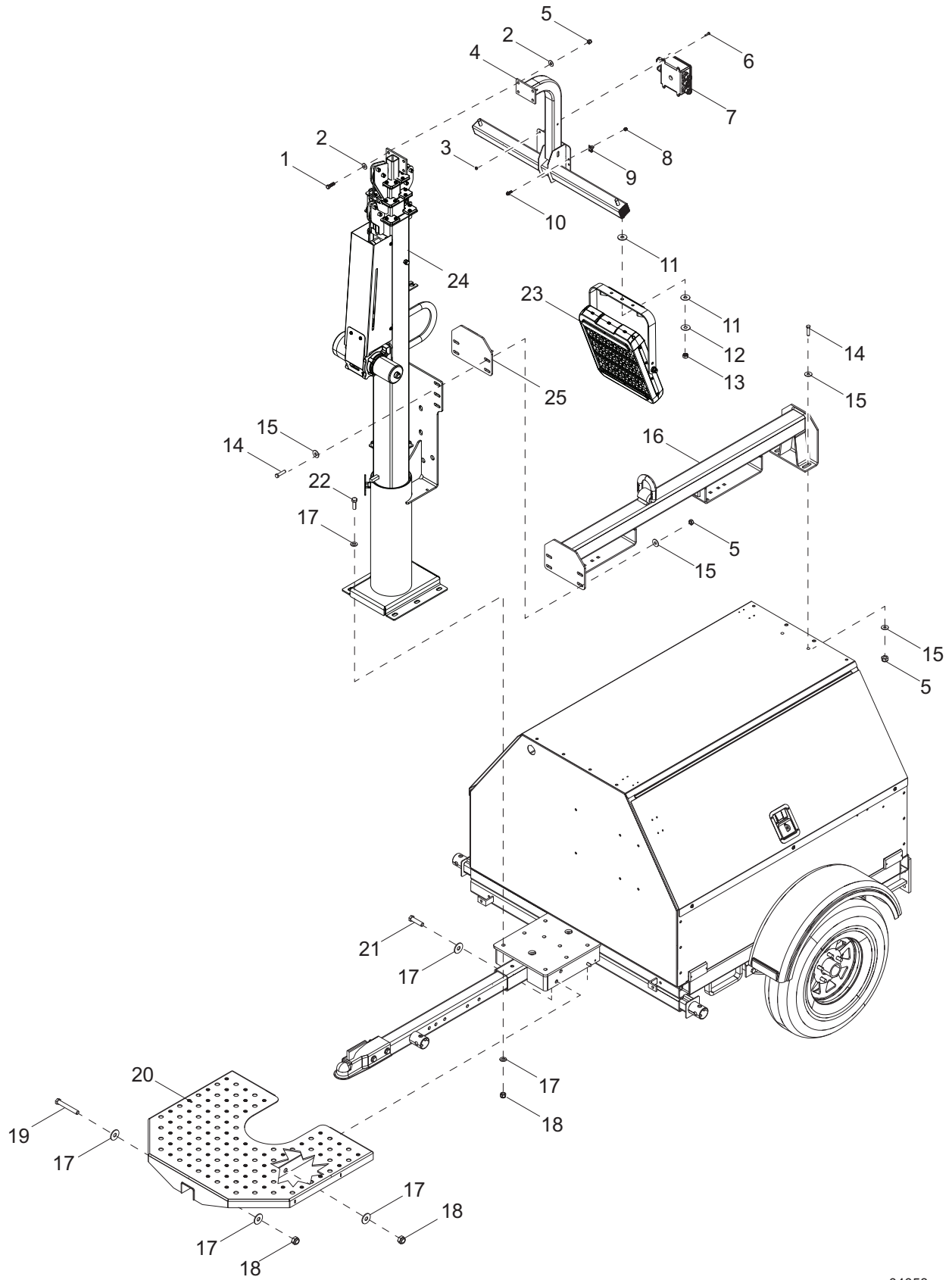
<b>TO RAISE MAST:</b>
1. Position unit on level surface. Use 4 chock blocks.
2. Extend mast. Lock mast and safety (S).
3. Press safety control switch (S).
4. STOP. An alarm will not sound unless on mast (S).
5. Release mast in one step. Tighten lock to set position (S).
<b>ADVERTENCIA DE PELIGRO:</b>
1. Nivelar el vehículo. Poner los cuatros bloques de seguridad.
2. Extender el mástil. Bloquear el mástil y la seguridad (S).
3. Pulsar el interruptor de control de seguridad (S).
4. PARAR. No sonará alarma a menos que el mástil esté en posición (S).
5. Liberar el mástil en un solo paso. Apretar la llave para fijar la posición (S).
<b>AVERTISSEMENT DE DANGER:</b>
1. Niveler le véhicule. Poser les quatre cales de sécurité.
2. Déployer le mât. Verrouiller le mât et la sécurité (S).
3. Appuyer sur le bouton de commande de sécurité (S).
4. ARRÊTER. Une alarme ne sonnera que si le mât est en position (S).
5. Libérer le mât en une seule étape. Serrer la clé pour régler la position (S).
<b>TO LOWER THE MAST:</b>
1. Lower mast. Release mast and safety (S).
2. Release mast in one step. Tighten lock to set position (S).
3. Press safety control switch (S).
4. STOP. An alarm will not sound unless on mast (S).
5. Release mast in one step. Tighten lock to set position (S).
<b>ADVERTENCIA DE PELIGRO:</b>
1. Bajar el mástil. Liberar el mástil y la seguridad (S).
2. Liberar el mástil en un solo paso. Apretar la llave para fijar la posición (S).
3. Pulsar el interruptor de control de seguridad (S).
4. PARAR. No sonará alarma a menos que el mástil esté en posición (S).
5. Liberar el mástil en un solo paso. Apretar la llave para fijar la posición (S).
<b>AVERTISSEMENT DE DANGER:</b>
1. Baisser le mât. Libérer le mât et la sécurité (S).
2. Libérer le mât en une seule étape. Serrer la clé pour régler la position (S).
3. Appuyer sur le bouton de commande de sécurité (S).
4. ARRÊTER. Une alarme ne sonnera que si le mât est en position (S).
5. Libérer le mât en une seule étape. Serrer la clé pour régler la position (S).

## UNIT DECALS - RIGHT SIDE INTERIOR

---

Item	Part No.	Qty	Description	Notes
1	A0002871539	1	DECAL, SAFETY	
2	A0002871523	1	DECAL, MAST SET-UP	
3	27433	1	DECAL, ULTRA-LOW SULFUR	
4	10000038540	1	DECAL, PROP 65	

# MAST, JUNCTION BOX AND LIGHTS TO UNIT

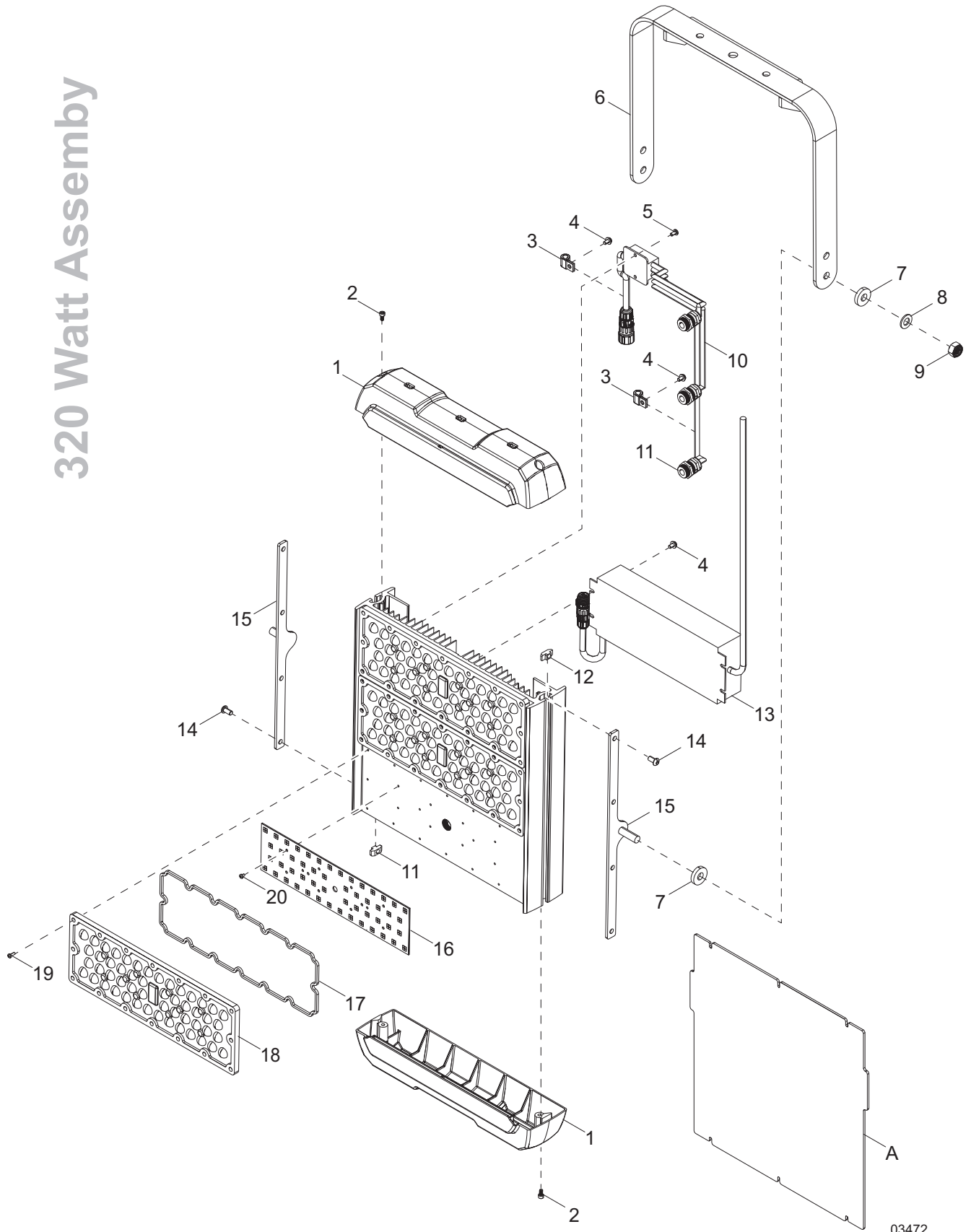


04058

## MAST, JUNCTION BOX AND LIGHTS TO UNIT

Item	Part No.	Qty	Description	Notes
1	60352	4	SCREW, .375-16 X 1.125 STANDARD HEX, G5	
2	60386	8	WASHER, .375 FLAT .993/.064	
3	60061	4	NUT, 10-32 NYLOCK	
4	A0000199129	1	WELDMENT MAST CROSSARM	
5	60358	10	NUT, .375-16 NYLOCK, G5	
6	60424	4	SCREW, 6-32X.750 PAN PHIL G2 SELF THREAD	
7	A0007623215	1	ASSY-SERVICE JUNCTION BOX MAST 4 LT	
8	60787	1	NUT, .250-20 NYLOCK - SS	
9	60375	1	CLAMP, TUBING .312 LIGHT DUTY	
10	60107	1	SCREW, .250-20 X .750 SERRATED FLANGE HEX,	
11	A0000221212	8	WASHER, FLAT M12 X 37OD X 1.50 - NYLON	
12	G052259	4	WASHER, M12 FLAT	
13	60305	4	NUT, M12-1.75 NYLOCK, G8	
14	61036	4	SCREW, .375-16 X 1.25 STANDARD HEX, SS	
15	60698	12	WASHER, .375 FLAT .875/.040, SS	
16	A0001214536	1	WELDMENT, LIFT SUPPORT - VERTICAL MAST	
17	G022304	12	WASHER, .500 FLAT 1.060/.090	
18	62221	9	NUT, .500-13 NYLOCK, G5	
19	50215	2	SCREW, .500-13 X 4.0 STANDARD HEX, G5	
20	A0002741722	1	STB WELDMENT, STEP PLATFORM	
21	G035713	2	SCREW, .500-13 X 1.50 STANDARD HEX, G5	
22	60683	6	SCREW, .500-13 X 1.50 STANDARD HEX, SS	
23	A0001451064	4	SERVICE LIGHT GRP LED W/DRIVER 155	
24	A0007623989	1	MAST GROUP-SERVICE BLACK ELEC-MLT4000	Page 8
25	A0003272382	1	STB SPACER MAST LIFT SUPPORT	

320 Watt Assembly



03472



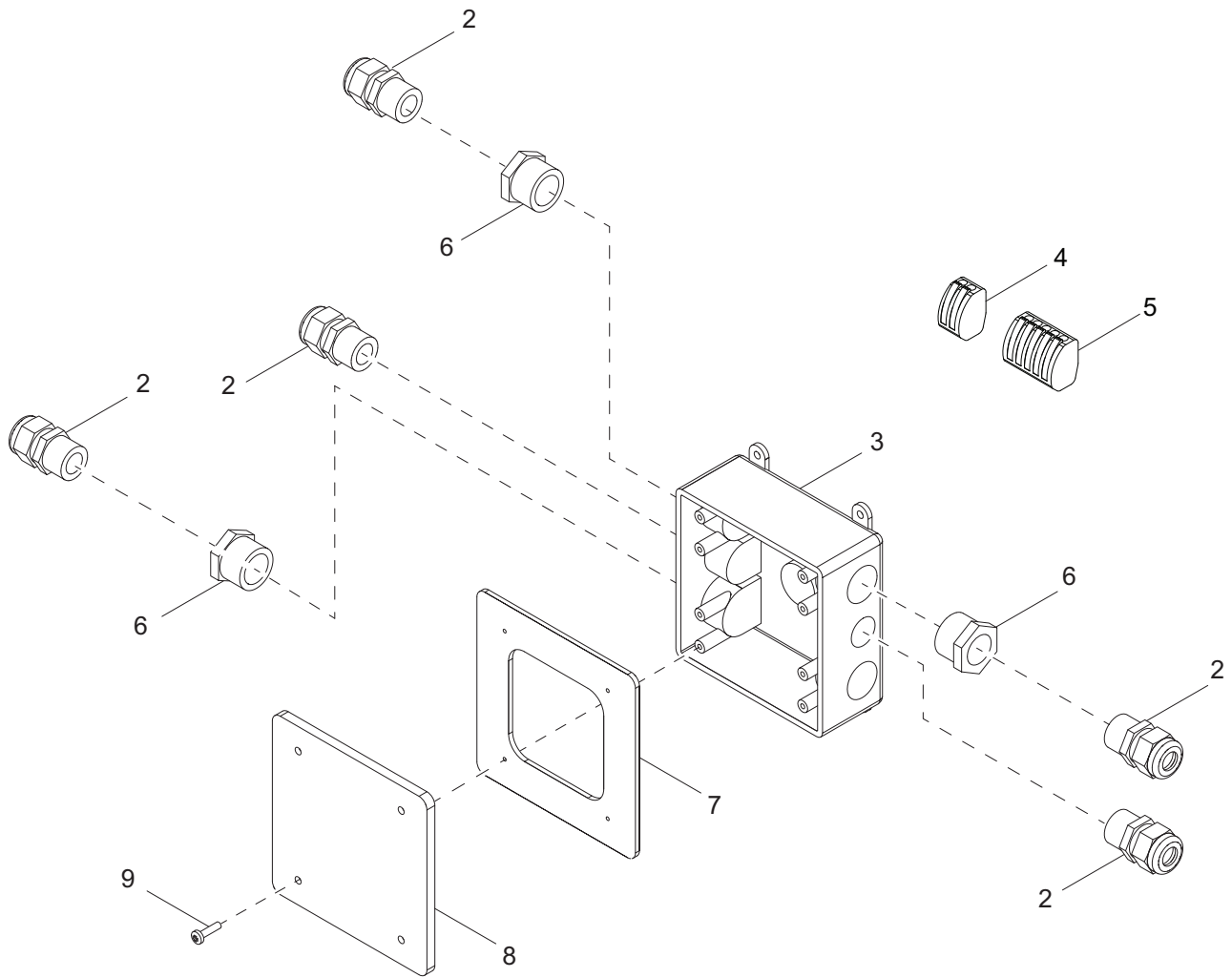
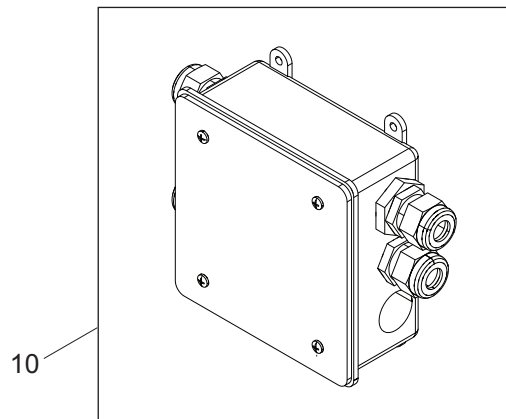
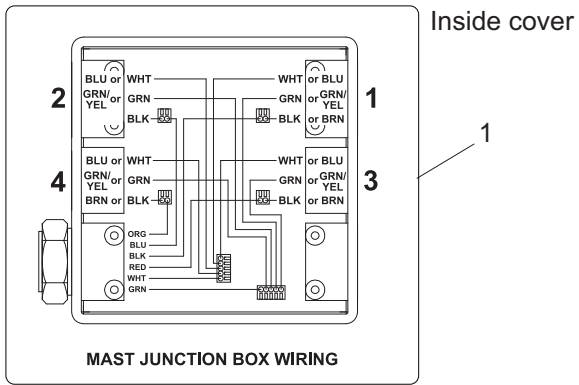
## LED LIGHT ASSEMBLY

Item	Part No.	Qty	Description	Notes
1	A0000092362	2	END CAP, WITH DIFFUSER SLOT	
2	A0000188756	4	SCREW, M4-.7 X 12	
3	G020151	2	CLAMP, .312 X .302 - STEEL/VINYL	
4	0G7070	6	SCREW, M4-.7 X 14 PPHM	
5	G020745	2	SCREW, M4-.7 X 12 PPHM	
6	A0000416868	1	BRACKET, TRUNNION - 320W	
7	A0000188752	4	WASHER, M10 ID X 25MM OD X 5 MM T	
8	60027	2	WASHER, M10 FLAT	
9	A0000009451	2	NUT, M10-1.50 NYLOCK, G8.8	
10	A0000188731	1	CABLE, 2 POSITION, 3 WAY SPLITTER	
11	A0000092266	3	STRAIN RELIEF, 320W LED	
12	A0000188739	8	NUT, M6-1.00 X 12 HAMMER	
13	A0000188779	1	ASSEMBLY, DRIVER WITH CONNECTOR	
14	A0000214354	8	SCREW, M6-1.0 X 12 BHSC - BLACK	
15	A0000095202	2	BRACKET, TRUNNION TO FRAME	
16	A0000092359	3	LED, PCB POPULATED 3030	
17	A0000092361	3	GASKET, OPTICAL LENS SEAL	
18	A0000092360	3	LENS, OPTICAL 60°	
19	A0000192578	48	SCREW, MOUNTING - OPTICAL LENS	
20	A0000192575	30	SCREW, MOUNTING - PCB	

### *DIFFUSED LIGHTING (If equipped):*

A	A0000095669	1	KIT, DIFFUSER LENS 320W - LED
--	A0000277071	1	KIT, DIFFUSER LENS STORAGE 320W - LED

# MAST JUNCTION BOX ASSEMBLY

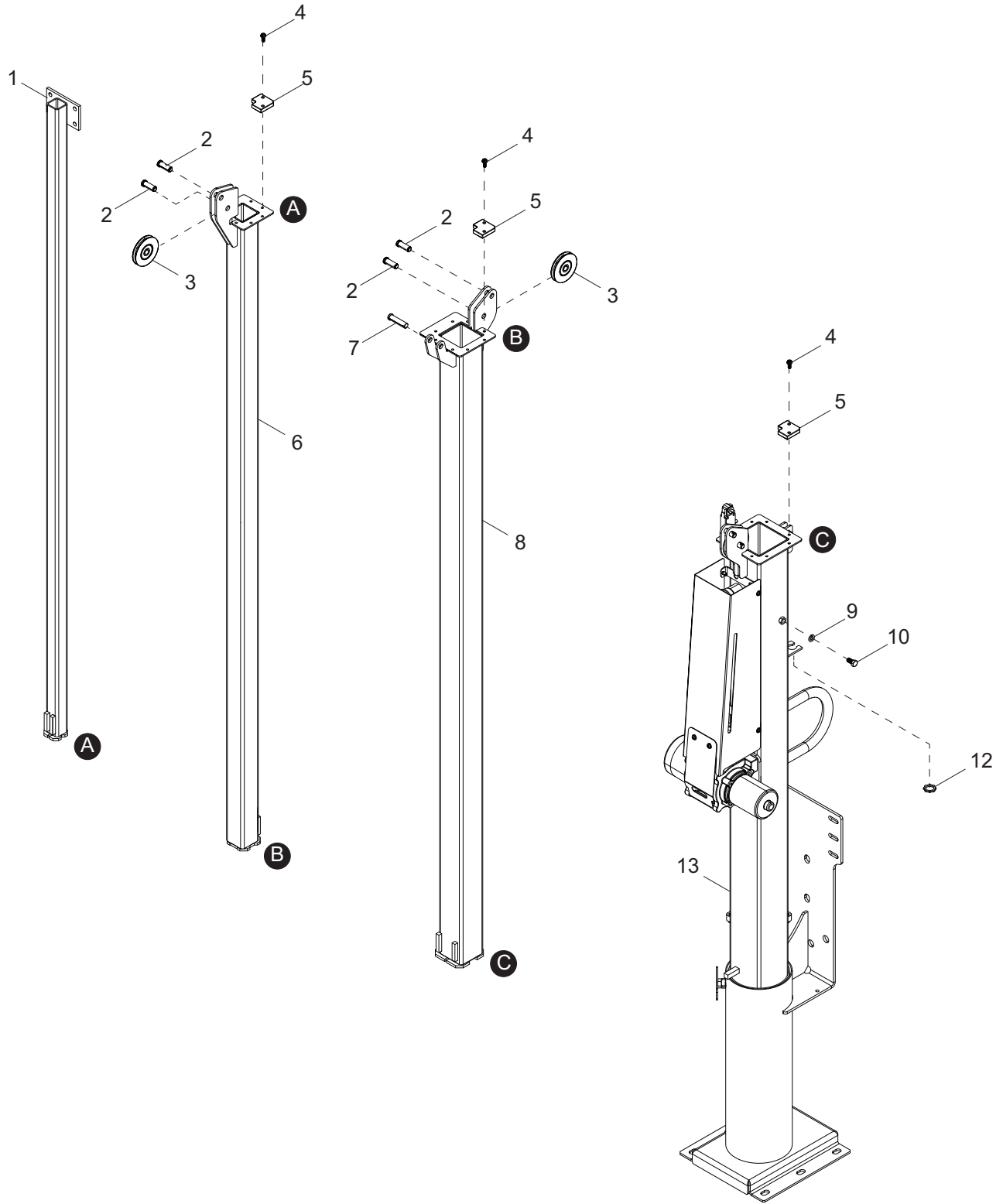


03475

## MAST JUNCTION BOX ASSEMBLY

Item	Part No.	Qty	Description	Notes
1	10000023482	1	DECAL, MAST JUNCTION BOX WIRING	
2	15864	5	STRAIN RELIEF, .500NPT WATER TIGHT	
3	12094	1	BOX, JUNCTION	
4	66100	4	CONNECTOR, 2 POSITION.	
5	66102	2	CONNECTOR, 5 POSITION.	
6	60755	2	FITTING, STRT .750MNPT X .500FNPT, NYLON	
7	13749SRV	1	GASKET, JUNCTION BOX - HFI 281000	
8	12109	1	COVER, BOX, 2-GANG PLASTIC	
9	60424	4	SCREW, 6-32 X .750 PAN PHILLIPS, G2	
10	A0001533483	1	ASSEMBLY, MAST JUNCTION BOX	

# MAST ASSEMBLY

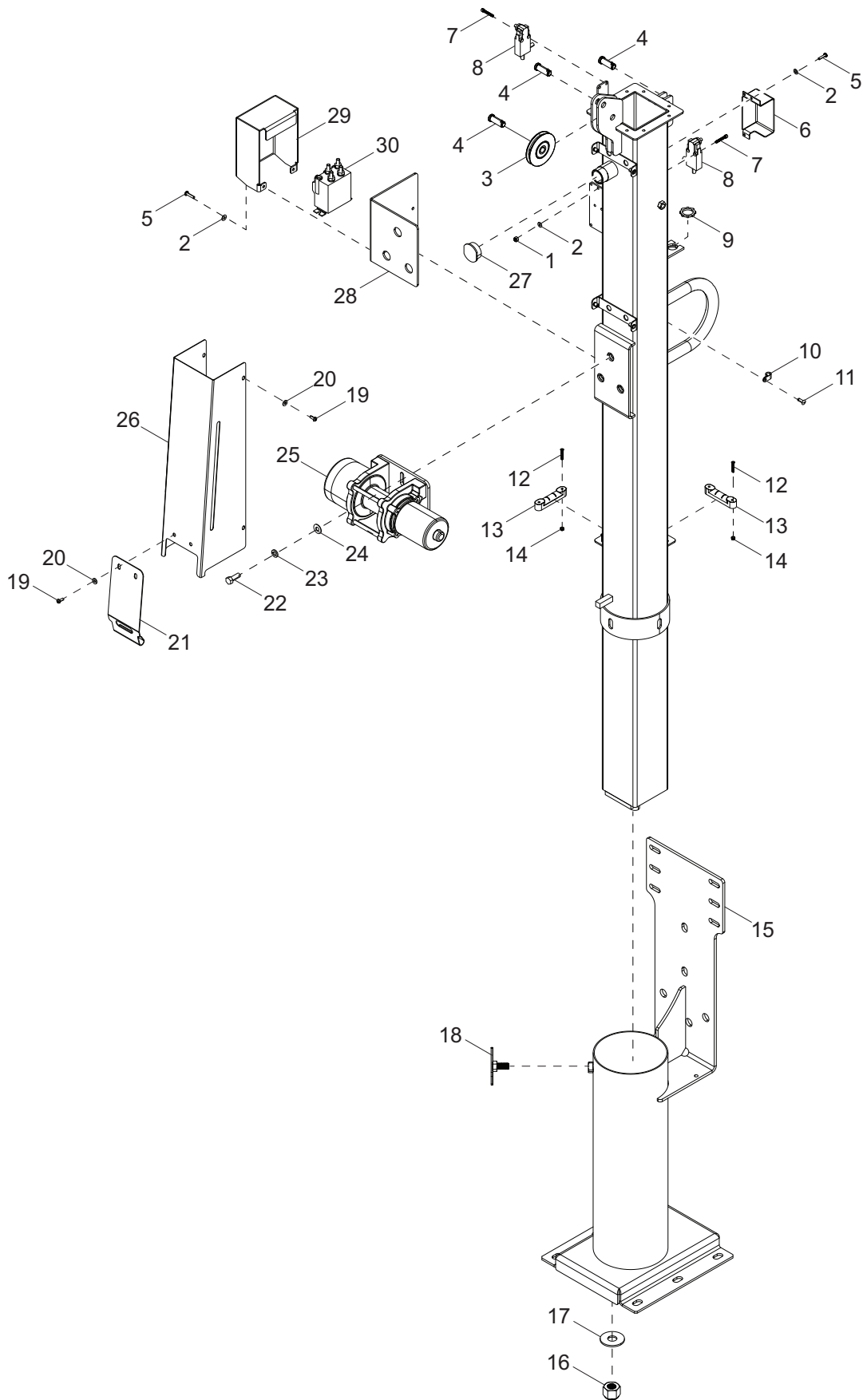


04056

## MAST ASSEMBLY

Item	Part No.	Qty	Description	Notes
1	31264B	1	WELDMENT, MAST - 1.50	
2	63325	4	PIN, CLEVIS- .500 DIA X 1.063 ZP(SLIC)	
3	33736	2	ASSY, PULLEY VERTICAL MAST	
4	63358	24	SCREW, .250-20X.625 HX WASH HD ZC	
5	31225	12	GUIDE	
6	31261B	1	WELDMENT, MAST - 2.25	
7	35655	1	PIN, CLEVIS- .500 DIA X 1.75 ZP(SLIC)	
8	A0004064249	1	STB WELDMENT MAST 3.00	
9	60703	1	WASHER, .375 SPLIT LOCK 18-8 SS	
10	62269	1	SCREW, .375-16X.75 STD HEX 18-8 SS, RED	
11	32922	6	INSERT, THD #10-32 SPLINED .020-.130 GR	
12	15861	1	NUT, SPECIAL, .500 NPT LOCK (LN101SC)	
13	A0004064264	1	STB WELDMENT MAST 4.00	
--	39650	1	COIL CORD, 120 IN TAIL	
--	31247	1	CABLE - .188IN X 144 IN W/ BALL SWEDGE	Attaches to item 1
--	31248	1	CABLE - .188IN X 79.75IN W/BALL SWEDGE RED,	Attaches to item 6
--	31277	1	CABLE- .188IN X 78.00IN W/ BALL SWEDGE BLU	Attaches to item 8

# MAST ASSEMBLY - BOTTOM POST

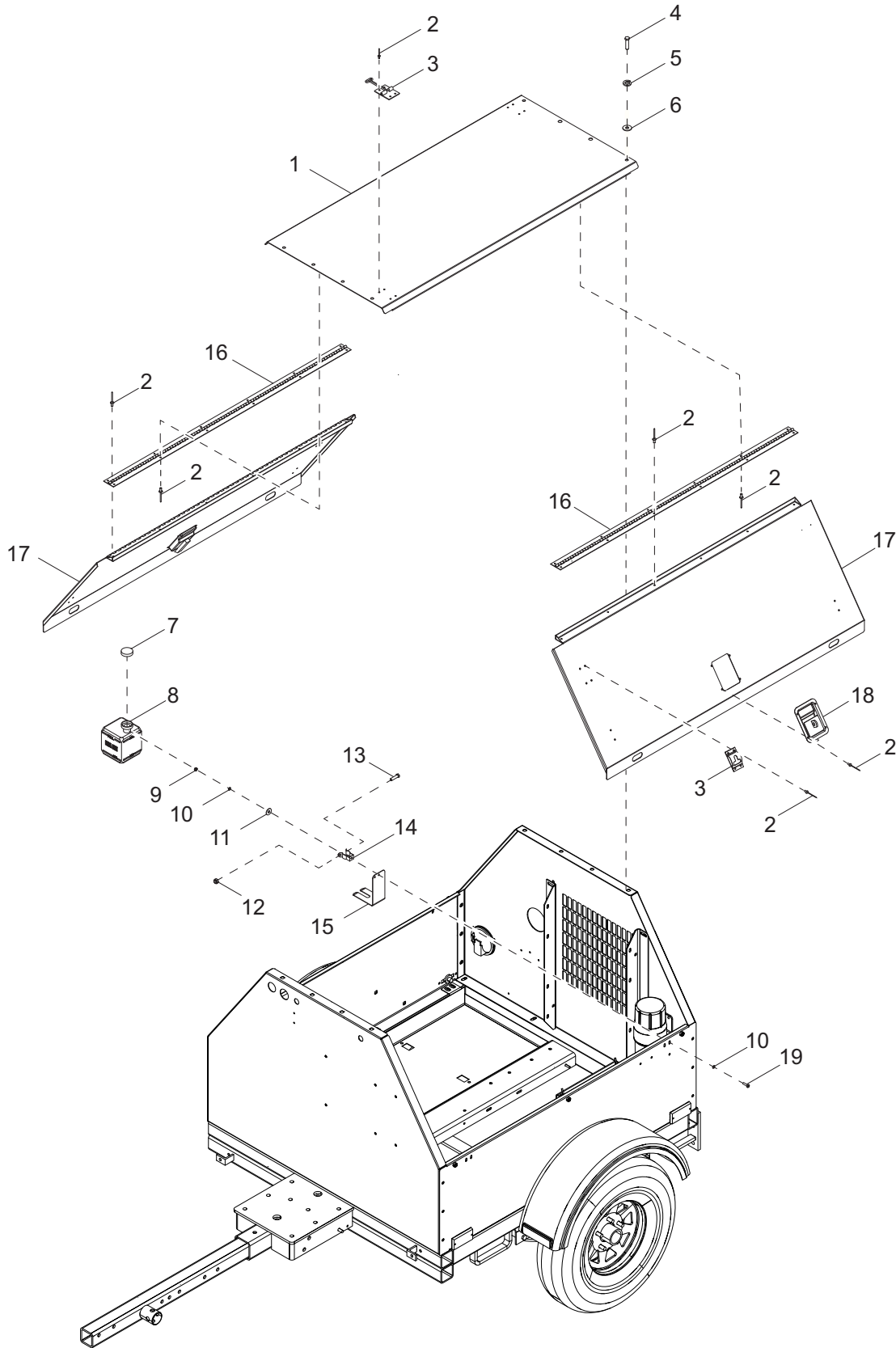


04055

## MAST ASSEMBLY - BOTTOM POST

Item	Part No.	Qty	Description	Notes
1	G063480	9	NUT, 8-32 NYLK CLASS 6 ZC	
2	60269	14	WASHER, #8 FLAT .433/.036 ZC	
3	33736	1	ASSY, PULLEY VERTICAL MAST	
4	63325	3	PIN, CLEVIS- .500 DIA X 1.063 UL	
5	60244	7	SCREW, 8-32X.750 PAN PHIL G2 ZC	
6	37205B	1	COVER, UP LIMIT SWITC	
7	67190	4	SCREW, 8-32x1.125 SOC HEX 18-8 SS	
8	37235	1	SWITCH, LIMIT (HONEYWELL 91MCE16-P2B)	
9	15861	1	NUT, SPECIAL, .500 NPT LOCK (LN101SC)	
10	60375	2	CLAMP, TUBING -.312 LT DUTY	
11	G087233	2	RIVET POP .1875 X .450 SS	
12	A0000945464	4	SCREW PFHM M4-0.7 X 25 18-8 SS	
13	A0000764090	2	LEVEL- SPIRIT	
14	0E6480	4	NUT HEX LOCK M4-0.7 NY INS	
15	A0003844218	1	STB WELDMENT, 4INCH MAST ROTATION TUB	
16	60247	1	WASHER, .750 FLAT 2.020/.130 ZC	
17	60584	1	NUT, .750-10 NYLK G5 YELLOW ZINC	
18	10000018317	1	STZY WELDMENT T HANDLE	
19	60398	6	SCREW, 10-32X.500 PAN PHIL 18-8 SS	
20	G090427	6	WASHER FLAT #10 SS	
21	A0005128013	1	STB COVER, ELECTRIC WINCH	
22	60205	3	SCREW, .375-16X1.000 STD HEX G5 ZC	
23	G022237	3	WASHER LOCK SPRING 3/8 ZC	
24	60698	3	WASHER, .375 FLAT .875/.040 18-8 SS USS	
25	12874	1	WINCH, ELEC - 770LB HOIST (WARN DC800)	
26	A0005124263	1	STB CABLE GUARD, WINCH	
27	A0005138666	1	STZ MAST BRAKE CAP NO HOLE	
28	A0005124302	1	STB PLATE, CONTACT MTG	
29	A0002848659	1	ALB COVER, CONDUCTOR	
30	11293	1	CONTACTOR, 12V ELECTRIC WINCH - WARN	
--	31742	1	WIRE GROUP, ELECTRIC WINCH BOX, MLT6S/8S	
--	31743	1	HARNESS, WINCH POWER CABLES, MLT6S/8S	
--	A0003272208	1	HARNESS, ELEC MAST CNTRL MLT4000	

# ROOF AND DOORS TO UNIT



03790



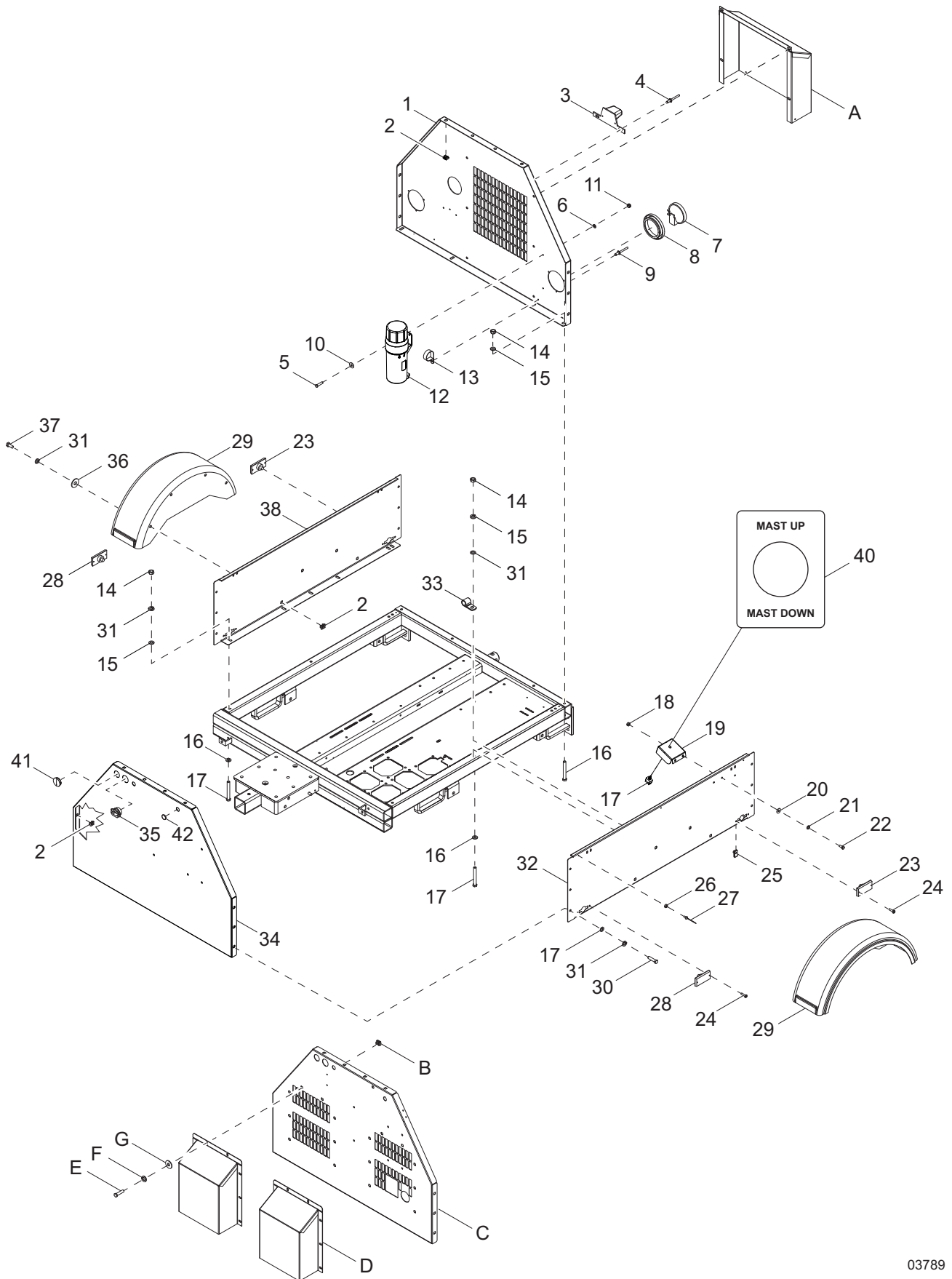
## ROOF AND DOORS TO UNIT

Item	Part No.	Qty	Description	Notes
1	16538W	1	PANEL, TOP	
2	60268	48	RIVET, .188 DIAMETER X .126 TO .250 GRIP, SS	
3	12605	2	LATCH, T-HANDLE, SS	
4	60690	4	SCREW, .375-16 X 1.0 STANDARD HEX, SS	
5	60703	4	WASHER, .375 SPLIT LOCK, SS	
6	60698	4	WASHER, .375 FLAT .875/.040, SS	
7	19714	1	CAP, OVERFLOW JUG	
8	20287	1	JUG, OVERFLOW	
9	60061	1	NUT, 10-32 NYLOCK	
10	60067	2	WASHER, #10 FLAT .435/.060, SS	
11	60696	1	WASHER, .250 FLAT .625/.050, SS	
12	60144	1	NUT, .250-20 NYLOCK, G5	
13	60414	1	SCREW, .250-12 X 1.50 STANDARD HEX, G5	
14	19726	1	CLAMP, OVERFLOW JUG	
15	22419B	1	BRACKET, OVERFLOW JUG	
16	16598	2	HINGE, DOOR - .188 PIN, 48.5 INCH LONG	
17	16591W	2	PANEL, DOOR	
18	A0000278989	2	LATCH, PADDLE - 7 LB SPRING	
19	61180	1	SCREW, 10-32 X .750 PAN PHILLIPS, SS	

*SILENT PACK: (if equipped)*

--	16739W	2	PANEL, DOOR	
----	--------	---	-------------	--

# FRONT, REAR, AND SIDE PANELS TO UNIT



03789

## FRONT, REAR, AND SIDE PANELS TO UNIT

Item	Part No.	Qty	Description	Notes
1	35500W	1	PANEL, REAR	
2	60657	26	NUT, .375-16 CAGE, G5, FOR 12 GA	
3	A0001478895	1	ASSEMBLY, LICENSE PLATE HOLDER	
4	60423	2	RIVET, .188 DIAMETER X .250 TO .375 GRIP	
5	60457	2	NUT, 10-24 NYLOCK, G2	
6	60067	2	WASHER, #10 FLAT .435/.060, SS	
7	A0001478886	2	ASSY, REAR TAIL/TURN LIGHT, 3-WIRE W/ PLUG	
8	10221	2	GROMMET, REAR LIGHT, RUBBER	
9	60268	2	RIVET, .188 DIAMETER X .126 TO .250 GRIP, SS	
10	60089	2	WASHER, .265 FENDER 1.25/.060	
11	60540	2	SCREW, 10-24 X .750 PAN PHILLIPS, SS	
12	36988	1	MANUAL HOLDER TUBE	
13	15628	2	CLAMP, WIRE - .38 PLASTIC	
14	60140	10	NUT, .375-16 HEX, G5	
15	60698	38	WASHER, .375 FLAT .875/.040, SS	
16	60689	10	SCREW, .375-16 X 4.0 STANDARD HEX SS	
17	65707	1	SWITCH, TOGGLE - SPDT WEATHERPROOF	
18	54169	2	NUT, .25-20 NYLOCK	
19	A0003272457	1	STB BRACKET MAST CONTROL SWITCH	
20	60696	2	WASHER, .250 FLAT .625/.050, SS	
21	60704	2	WASHER, .250 SPLIT LOCK, SS	
22	60684	2	SCREW, .250-20 X .875 STANDARD HEX, SS	
23	66372	2	LIGHT, CLEARANCE MARKER - RED	
24	60694	8	SCREW, 8-32 X .750 PAN PHILLIPS, SS	
25	60730	8	NUT, 8-32 U-CLIP	
26	15215	6	BUMPER, RUBBER	
27	60267	6	RIVET, .125 DIAMETER X .191 TO .270 GRIP	
28	66373	2	LIGHT, CLEARANCE MARKER - AMBER	
29	16560	2	FENDER, PLASTIC - 13 INCH TIRE	
30	60690	22	SCREW, .375-16 X 1.0 STANDARD HEX, SS	
31	60703	36	WASHER, .375 SPLIT LOCK, SS	
32	35502W	1	PANEL, LEFT SIDE	
33	60649	1	CLAMP, TUBING - .750 HEAVY-DUTY	
34	10000043625	1	PANEL, FRONT	
35	66425	1	STRAIN RELIEF, 1.25 WITH NUT	
36	60386	8	WASHER, .375 FLAT .993/.064	
37	60295	8	SCREW, .375-16 X .750 STANDARD HEX, SS	
38	33240W	1	PANEL, RIGHT SIDE	
39	54169	2	NUT, .25-20 NYLOCK	
40	33552	1	DECAL, MAST UP/MAST DOWN	
41	A0003282295	1	PLUG HOLE 1.66 DIA DOME WHITE PLASTIC	
42	60733	2	PLUG, HOLE .875 DIA WHITE	
<i>SILENT PACK: (if equipped)</i>				
A	12189W	1	DUCT, RADIATOR GUARD	
B	15425	16	NUT, .312-18 CAGE	
C	A0002777824	1	PANEL, FRONT	
D	34783W	2	DUCT, FRONT	
E	60507	16	SCREW, .312-18 X 1.0 STANDARD HEX, SS	
F	60701	16	WASHER, .312 SPLIT LOCK, SS	
G	60340	16	WASHER, .312 FLAT .875/.040, SS	



## CONTROL BOX TO UNIT

Item	Part No.	Qty	Description	Notes
1	60649	1	CLAMP, TUBING - .750 HEAVY DUTY	
2	60340	12	WASHER, .312 FLAT .875/.040, SS	
3	60303	6	NUT, .312-18 NYLOCK, G2	
4	A0002936359	1	CONTROL BOX	
5	11543B	2	SPACER, CONTROL BOX	
6	60090	2	NUT, .250-20 WING, G5	Included with item 9
7	60089	2	WASHER, .265 FENDER 1.250/.060	Included with item 9
8	12924B	1	ANGLE, BATTERY HOLD DOWN	
9	14146	2	BOLT, J .250-20 X 10.0	
10	62043	6	SCREW, .312-18 X 2.25 STANDARD HEX, SS	

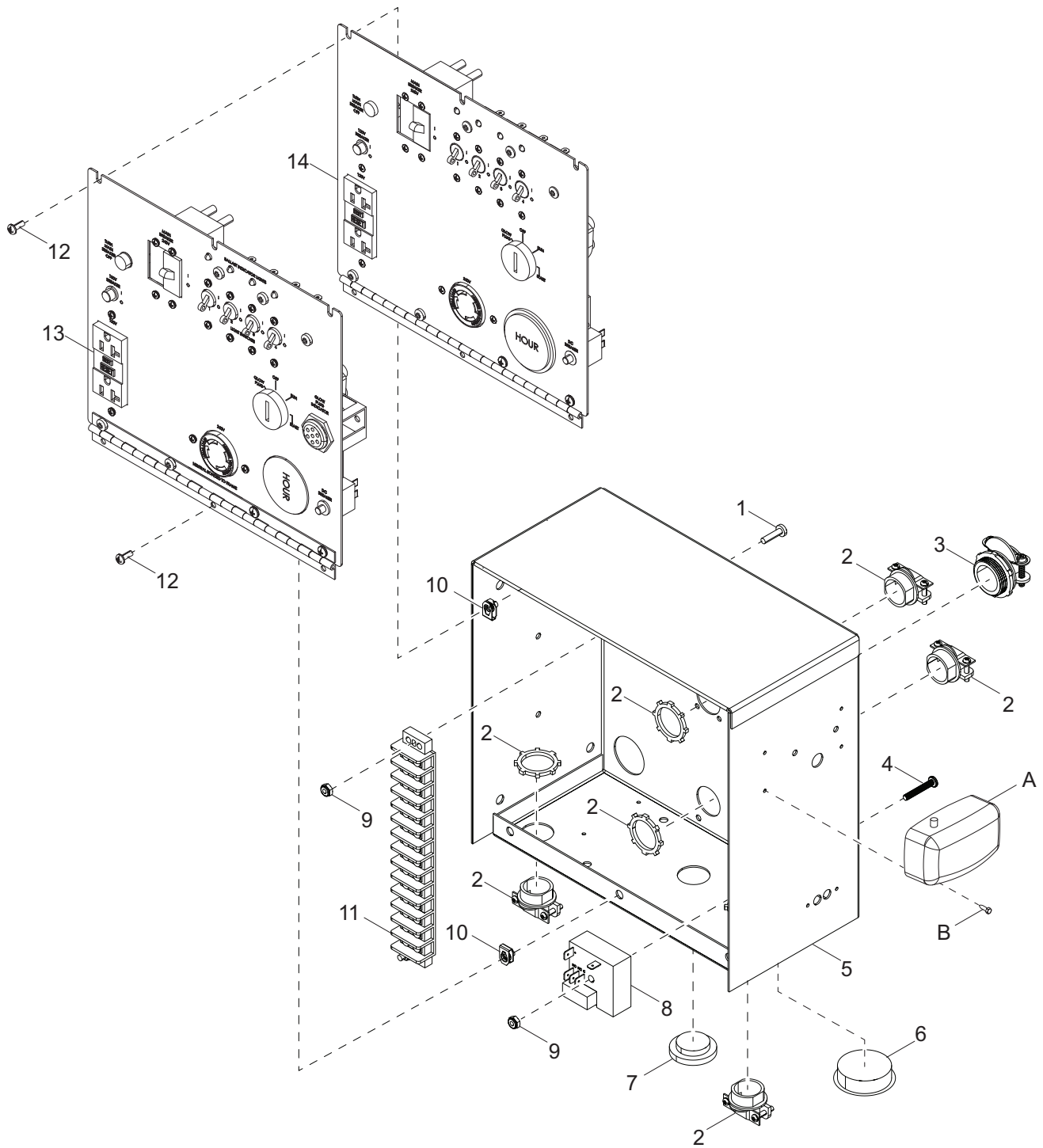
### *BATTERY CHARGER: (if equipped)*

A	60062	4	SCREW, 10-32X.750 PAN PHIL G2 ZC
B	68836	1	BATTERY CHARGER12VDC, W/HARNESS
C	60067	4	WASHER, #10 FLAT .435/.060 18-8 SS
D	60061	4	NUT, 10-32 NYLK ZC
--	21259	1	DECAL, BATTERY CHARGER

### *BATTERY DISCONNECT: (if equipped)*

E	60028	2	SCREW, .312-18 X 1.0 STANDARD HEX, G5
F	60271	2	WASHER, .312 SPLIT LOCK
G	60277	2	SCREW, 10-32 X .500 PAN PHILLIPS, G2
H	60119	2	WASHER, .312 FLAT .875/.070
J	65499	1	ASSEMBLY, SWITCH LOCKOUT LEVER
K	13654B	1	BRACKET, BATTERY DISCONNECT
L	60067	2	WASHER, #10 FLAT .435/.060, SS
M	65498	1	SWITCH, DISCONNECT
N	60061	2	NUT, 10-32 NYLOCK
P	15073	1	CABLE, BATTERY - 24 INCH. 4GA BLACK
Q	69896	1	CABLE, BATTERY JUMPER - 33 INCH. 4GA RED
R	60303	2	NUT, .312-18 NYLOCK, G2
S	66906	1	CABLE, BATTERY - 18 IN 4GA RED W/BOOT

# CONTROL BOX ASSEMBLY- ANALOG



03787

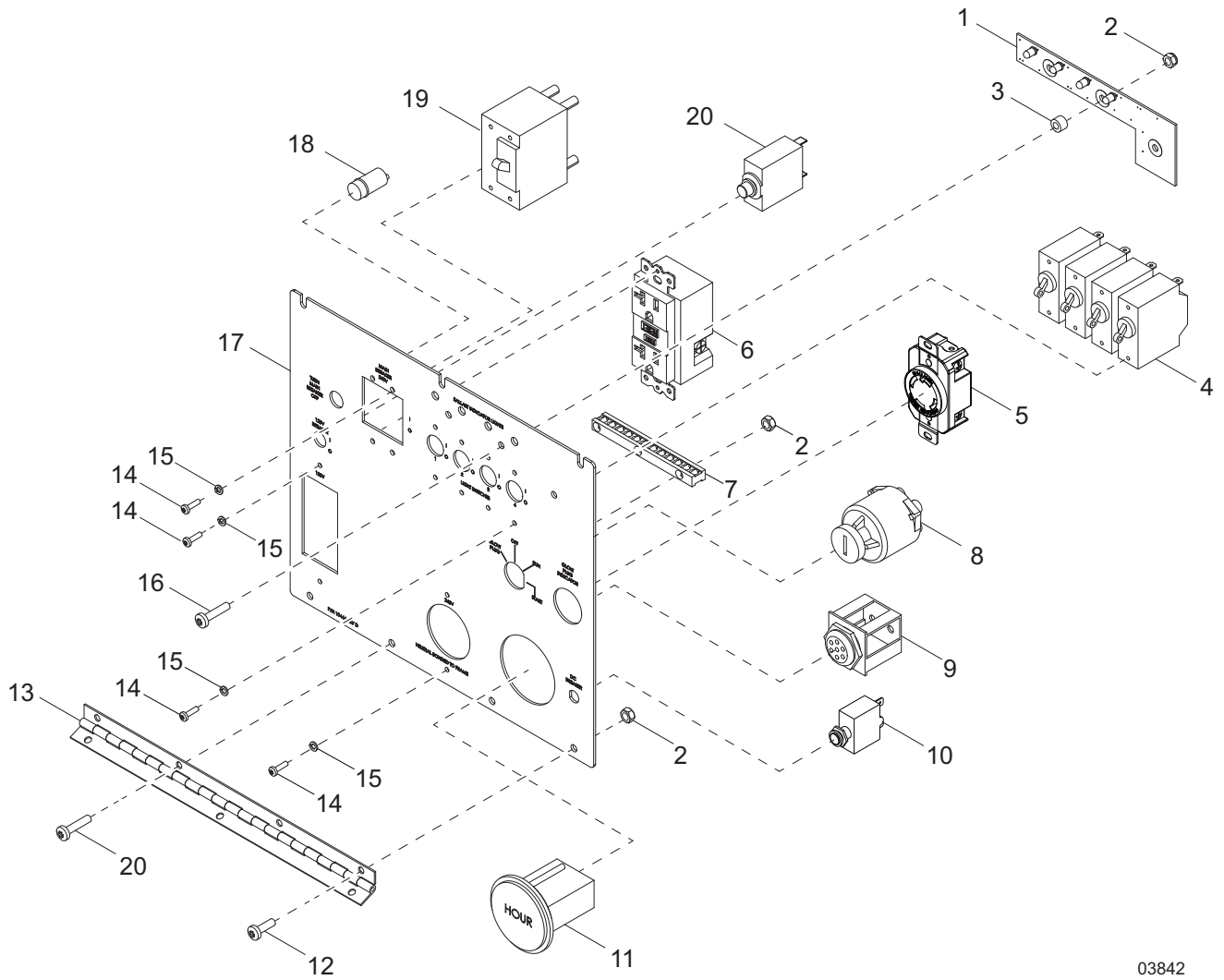
## CONTROL BOX ASSEMBLY - ANALOG

Item	Part No.	Qty	Description	Notes
1	60062	2	SCREW, 10-32 X .750 PAN PHILLIPS, G2	
2	14219	4	STRAIN RELIEF, .750 ROMEX	
3	65490	1	STRAIN RLF, 1.00 ROMEX W/NUT	
4	60396	1	SCREW, 10-32 X 1.250 PAN PHILLIPS, G2	
5	A0002936359	1	STB BOX CONTROL - MLT4000	
6	61037	1	PLUG, HOLE 1.75 DIA BLACK	
7	60746	1	PLUG, HOLE 1.094 RECESSED - BLACK	
8	14201	1	RELAY, 10A SPDT 12VDC - 15 SEC. TIME DELAY	
9	60061	4	NUT, 10-32 NYLOCK	
10	63105	6	NUT, 8-32 U-CLIP, G5	
11	66013	1	BLOCK, TERMINAL 14 POSITION, 30A, 600V	
12	60526	6	SCREW, 8-32 X .500 PAN PHILLIPS, G2	
13	A0003469182	1	ASSY-PANEL-SUB CONTROL	MLT4060MV
14	A0003469862	1	ASSY-PANEL-SUB CONTROL	MLT4060/80MK
--	A0003469866	1	ASSY-PANEL-SUB CONTROL	Items 1-12,14
--	A0003470090	1	ASSY-PANEL-SUB CONTROL	Items 1-13

*INTERIOR LIGHT: (if equipped)*

A	11947	1	LIGHT, INTERIOR W/SWITCH
B	60364	4	SCREW, 10-16 X .500 STANDARD HEX, G2,

# CONTROL PANEL ASSEMBLY - ANALOG



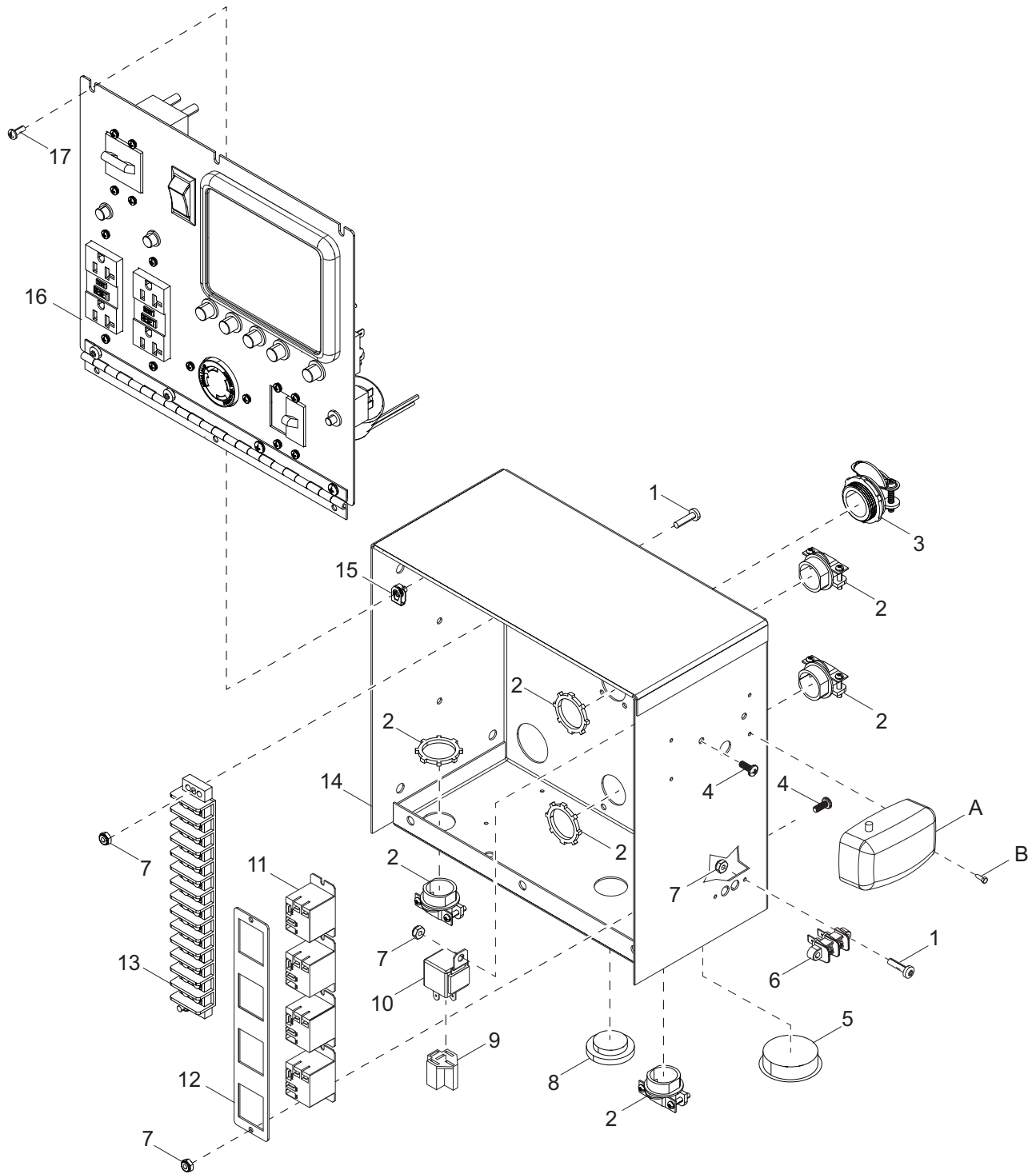
03842



## CONTROL PANEL ASSEMBLY - ANALOG

Item	Part No.	Qty	Description	Notes
1	66423	1	PCB, LED LIGHTS W/CONNECTOR	
2	60061	7	NUT, 10-32 NYLOCK	
3	66257	3	SPACER, .2 ID X .375 OD X .25 LONG, PLASTIC	
4	14249	4	BREAKER, 15A, 120V, 1-POLE	
5	65488	1	RECEPTACLE, 240V/30A TWIST-LOCK	
6	14130	1	RECEPTACLE, 120V/20A GFI	
7	14204	1	KIT, GROUND BAR	
8	15195SRV	1	SWITCH, KEY	
9	16694SRV	1	GLOW PLUG INDICATOR	MLT4060MV
10	65850	1	BREAKER, 10A, 240V, 1-POLE, PUSH BUTTON	
11	15085	1	GAUGE, HOUR METER	
12	60277	2	SCREW, 10-32 X .500 PAN PHILLIPS, G2	
13	13677	1	HINGE, CONTINUOUS - 11 IN	
14	60405	16	SCREW, 6-32 X .250 PAN PHILLIPS, G2	
15	60058	16	WASHER, #6 SPLIT LOCK	
16	60062	5	SCREW, 10-32 X .750 PAN PHILLIPS, G2	
17	A0002957109	1	PANEL CONTROL - MLT4060 MITSU ANALOG	MLT4060MV
	A0002957108	1	PANEL CONTROL MLT4060 KUB ANALOG	MLT4060/80KV
18	65388	1	LIGHT, INDICATOR RED, 12VDC	
19	65963	1	BREAKER, 30A, 250V, 2-POLE, STUD TERMINAL	
20	65849	1	BREAKER, 10A, 120V, 1-POLE, PUSH BUTTON	
--	35267	1	WIRE GROUP - 20A GFCI	
--	A0001349805	1	WIRE GROUP - 30A TWIST-LOCK	
--	35269	1	WIRE GROUP - LIGHT SWITCHES	
--	35266	1	WIRE GROUP - LED LIGHT BOARD	
--	35271	1	WIRE GROUP - 6KW CONTROL BOX	
--	35270	1	WIRE GRP, 6KW KUBOTA LT TOWER CNTRL BOX	MLT4060MV
--	68441	1	WIRE GRP, 6KW MITSU/KUB LT TOWER CNTRL BOX	MLT4060/80KV

# CONTROL BOX ASSEMBLY - POWERZONE (IF EQUIPPED)



03786

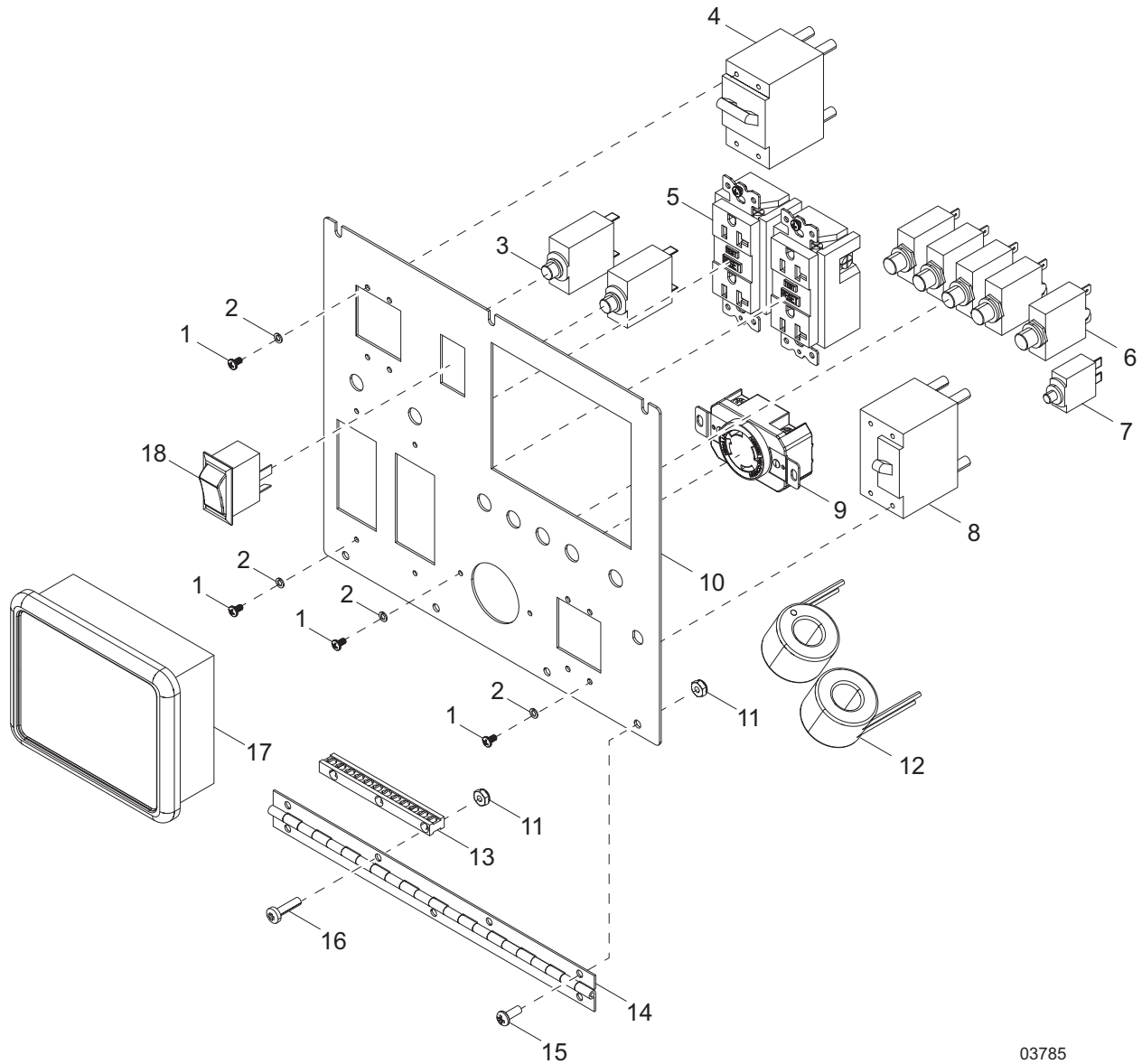
## CONTROL BOX ASSEMBLY- POWERZONE (IF EQUIPPED)

Item	Part No.	Qty	Description	Notes
1	60062	6	SCREW, 10-32 X .750 PAN PHILLIPS, G2	
2	14219	5	STRAIN RELIEF - .750 ROMEX W/NUT	
3	65490	1	STRAIN RLF, 1.00 ROMEX W/NUT	
4	60277	6	SCREW, 10-32 X .500 PAN PHILLIPS, G2	
5	61037	1	PLUG, HOLE 1.75 DIA BLACK	
6	68080	1	BLOCK, TERMINAL - 2 POSITION	
7	60061	6	NUT, 10-32 NYLK Z	
8	60746	2	PLUG, HOLE 1.094 RECESSED - BLACK	
9	65096	1	PLUG, RELAY RECEPTACLE	
10	65049	1	RELAY, 12V 30/40A N.O. W/DIODE	
11	29759	4	RELAY,12V COIL,120-240 VAC RATED	
12	38447B	1	BRACKET, RELAY	
13	66013	1	BLOCK, TERMINAL - 14 POSITION, 30A, 600V	
14	A0002936359	1	STB BOX CONTROL - MLT4000	
15	63105	6	NUT, 8-32 U-CLIP, G5	
16	69836	1	ASSEMBLY, CONTROL PANEL 6KW PZ	<i>Page 30</i>
17	60526	6	SCREW, 8-32 X .500 PAN PHILLIPS, G2	
--	10000045317	1	HARNESS ENG MITSU MLTX060 ELEC GOV PZ	
--	68197	1	WIRE GRP, ENGINE HARNESS PZ	
--	69862	2	ASSY, GENERATOR HARNESS - 6KW 60HZ	
--	68752	1	WIRE GROUP, BOX MLT	

*INTERIOR LIGHT: (if equipped)*

A	11947	1	LIGHT, INTERIOR W/SWITCH
B	60364	4	SCREW, 10-16 X .500 STANDARD HEX, G2

# CONTROL PANEL ASSEMBLY - POWERZONE (IF EQUIPPED)



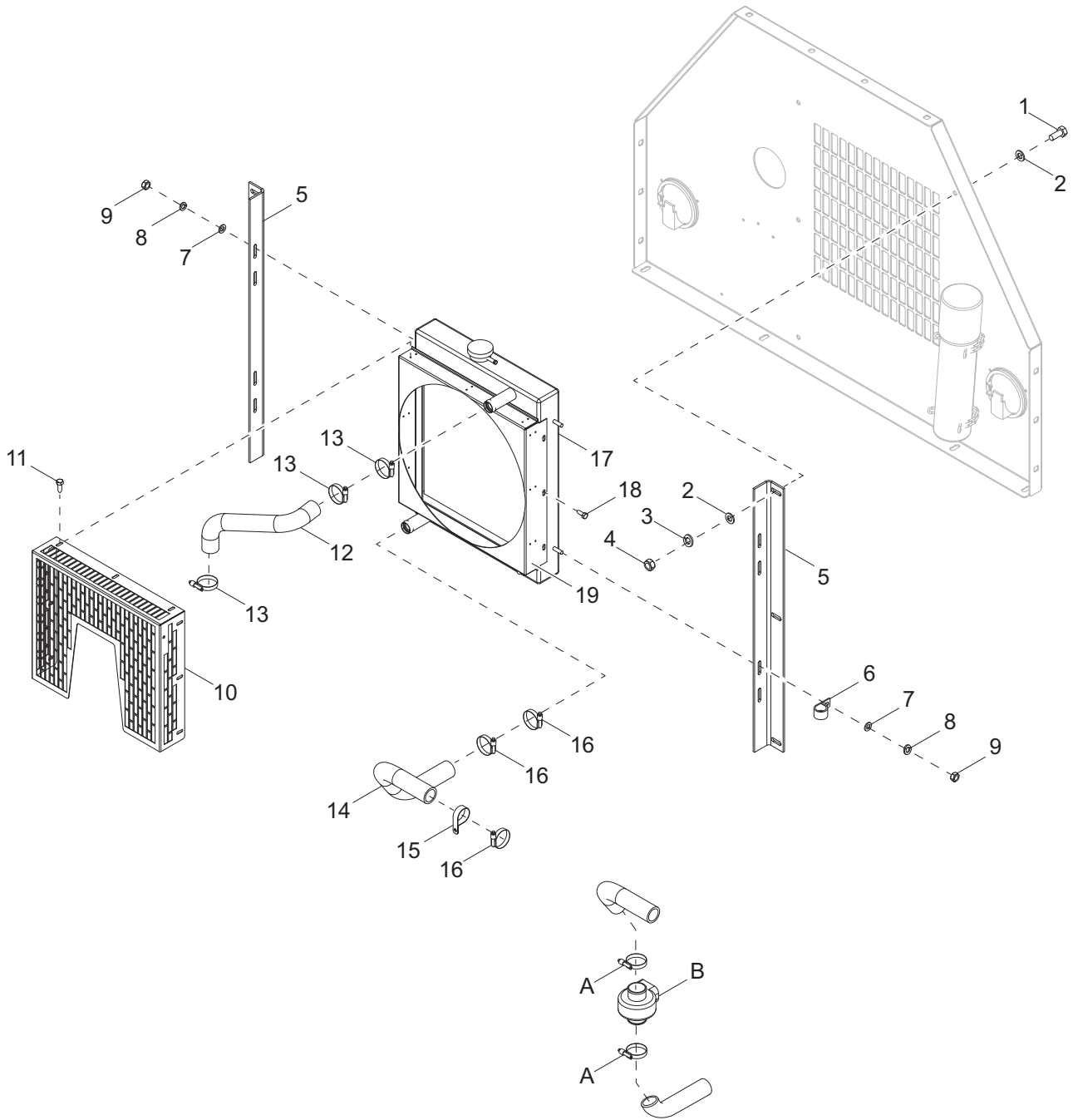
03785

## CONTROL PANEL ASSEMBLY - POWERZONE (IF EQUIPPED)

Item	Part No.	Qty	Description	Notes
1	60405	16	SCREW, 6-32 X .250 PAN PHILLIPS, G2	
2	60058	16	WASHER, #6 SPLIT LOCK	
3	65849	2	BREAKER, 10A, 120V, 1-POLE, PUSH BUTTON	
4	65963	1	BREAKER, 30A, 250V, 2-POLE, STUD TERMINAL	
5	14130	2	RECEPTACLE, 120V/20A GFI (5-20R) UL 2003	
6	15568	5	BREAKER, 15A 120V 1 POLE - PUSH BUTTON	
7	65850	1	BREAKER, 10A, 240V, 1-POLE PUSH BUTTON	
8	65849	2	BREAKER, 10A, 120V, 1-POLE, PUSH BUTTON	
9	65488	1	ASSEMBLY, 30A TWIST LOCK L14 R	
10	A0002930726	1	PANEL CONTROL - MLT4080-PZ	
11	60061	4	NUT, 10-32 NYLK ZC	
12	66255	2	TRANSFORMER, CURRENT 100:5 WIRES	
13	14204	1	KIT, GROUND BAR	
14	13677	1	HINGE, CONTINUOUS - 11 IN	
15	60277	2	SCREW, 10-32 X .500 PAN PHILLIPS, G2	
16	60062	2	SCREW, 10-32X.750 PAN PHIL G2 ZC	
17	CALL*	1	CONTROLLER, DEEP SEA L401-002-A3 MLT6/8KW	
18	66995	1	SWITCH, ROCKER DPST ON-OFF	

**Note:** \*To order replacement controller, contact Generac Mobile Products with unit serial number

# COOLING SYSTEM ASSEMBLY

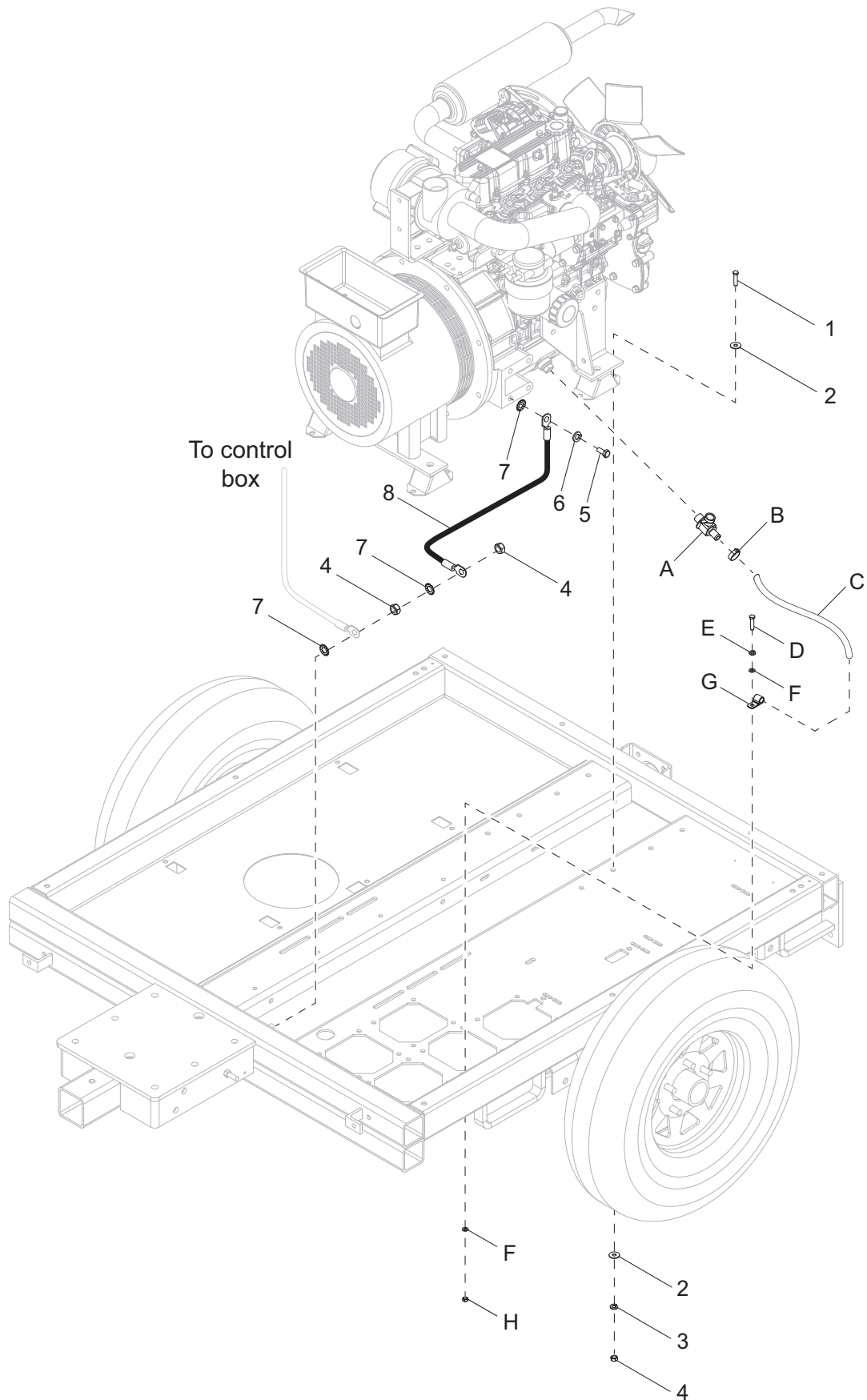


01166

## COOLING SYSTEM ASSEMBLY

Item	Part No.	Qty	Description	Notes
1	60690	6	SCREW, .375-16 X 1.0 STANDARD HEX, SS	
2	60698	12	WASHER, .375 FLAT .875/.040, SS	
3	60703	6	WASHER, .375 SPLIT LOCK, SS	
4	60140	6	NUT, .375-16 HEX, G5	
5	11683B	2	BRACKET, RADIATOR	
6	15627	2	CLAMP, TUBING - .625 HEAVY DUTY	
7	60119	4	WASHER, .312 FLAT .875/.070	
8	60271	4	WASHER, .312 SPLIT LOCK	
9	60032	4	NUT, M8-1.25 HEX, G8.8	
10	A0000214702	1	STB FAN GUARD MLTX060M G2 L3E	
11	60364	9	SCREW, 10-16 X .500 STD HEX, G2, SELF-TAP	
12	16687	1	HOSE, RADIATOR - UPPER	MLT4060/80KV only
--	32383SRV	1	HOSE, RADIATOR - UPPER	MLT4060MV only
13	60316	2	CLAMP, HOSE - SAE 032 (1.56-2.50)	MLT4060/80KV only
--	15422	2	CLAMP, HOSE - SAE 020 (.75-1.75)	MLT4060MV only
14	12350	1	HOSE, RADIATOR - LOWER	MLT4060/80KV only
--	16688SRV	1	HOSE, RADIATOR - LOWER	MLT4060MV only
15	60716	1	CLAMP, TUBING - 1.50 LIGHT DUTY	MLT4060/80KV only
16	15422	2	CLAMP, HOSE - SAE 020 (.75-1.75)	
17	A0000335661	1	RADIATOR, W/FAN GUARD - WELDED	
18	60115	6	SCREW, M6-1.00X12 SFLG HEX G8.8 ZC	
19	A0000175263	1	STB SHROUD FAN ML	
<i>ENGINE HEATER: (if equipped)</i>				
A	15422	2	CLAMP, HOSE - SAE 020 (.75-1.75)	
B	65649	1	HEATER, ENGINE - LOWER RADIATOR HOSE	

# ENGINE AND GENERATOR TO UNIT



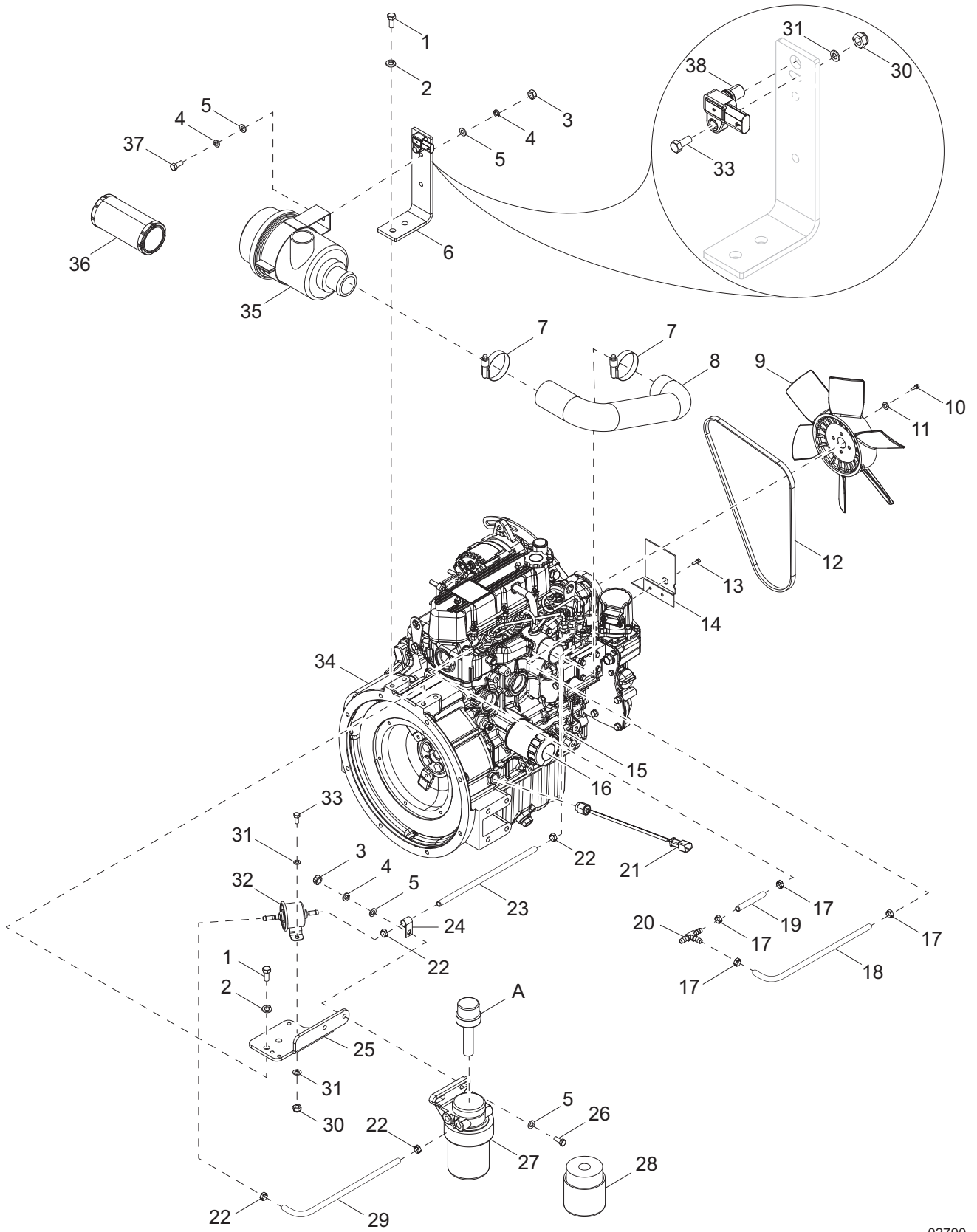
01167



## ENGINE AND GENERATOR TO UNIT

Item	Part No.	Qty	Description	Notes
1	60205	8	SCREW, .375-16 X 1.0 STANDARD HEX, G5	
2	60698	16	WASHER, .375 FLAT .875/.040, SS	
3	60206	8	WASHER, .375 SPLIT LOCK	
4	60140	10	NUT, .375-16 HEX, G5	
5	60495	1	SCREW, M10-1.25 X 16 - STANDARD HEX, G8.8	
6	60026	1	WASHER, M10 - SPLIT LOCK	
7	60747	3	WASHER, .375 INTERNAL STAR	
8	16155	1	ASSEMBLY, WIRE - ENGINE/CHASSIS GROUND	
<i>DRAIN VALVE: (if equipped)</i>				
A	60774	1	VALVE, DRAIN 22MM - 1.5 WITH NIPPLE	MLT4060/80KV only
--	60766	1	VALVE, DRAIN 18MM - 1.5 WITH NIPPLE	MLT4060MV only
B	60365	1	CLAMP, HOSE - SAE 010 (.56-1.06)	
C	50201	3 ft	HOSE, .625 INCH, 200 PSI, CLASS A	MLT4060/80KV only
--	A0001533482	1	HOSE, OIL DRAIN, .375 X 20, SAE 30R7	MLT4060MV only
D	60205	1	SCREW, .375-16 X 1.0 STANDARD HEX, G5	MLT4060/80KV only
E	60206	1	WASHER, .375 FLAT .875/.040, SS	MLT4060/80KV only
F	60698	2	WASHER, .375 FLAT .875/.040, SS	MLT4060/80KV only
G	60716	1	CLAMP, TUBING - 1.50 LIGHT-DUTY	MLT4060/80KV only
H	60144	1	NUT, .25-20 NYLOCK, G5	MLT4060/80KV only
<i>SILENT PACK: (if equipped)</i>				
--	18496	1	FITTING, BUSHING - 2.50 OD X 2.0 ID	
--	50709	3 ft	HOSE, .625 INCH., 300 PSI	
--	60498	1	FITTING, PLUG - .750NPT SQUARE DRIVE	
--	60774	1	VALVE, DRAIN WITH NIPPLE	
--	60365	2	CLAMP, HOSE - SAE 010 (.56-1.06)	
--	28213	1	FITTING, .750NPT STREET ELBOW	
--	62076	1	FITTING, STRAIGHT - .750MNPT X .625 BARB	

# ENGINE ASSEMBLY - MITSUBISHI LEFT SIDE



02790

## ENGINE ASSEMBLY - MITSUBISHI LEFT SIDE

Item	Part No.	Qty	Description	Notes
1	60422	4	SCREW, M10-1.25 X 25 STANDARD HEX, G8.8	
2	60026	4	WASHER, M10 SPLIT LOCK	
3	60285	6	NUT, .312-18 HEX, G2	
4	60271	6	WASHER, .312 SPLIT LOCK	
5	60119	8	WASHER, .312 FLAT .875/.070	
6	10000045650	1	BRACKET, AIR CLEANER - BLACK	
7	60316	2	CLAMP, HOSE - SAE 032 (1.56-2.50)	
8	16589	1	HOSE, AIR CLEANER	
9	16742	1	FAN, MITSUBISHI	
10	63288	4	SCREW, M6-1.0 X 12 PAN HEAD, G8.8	
11	60286	4	WASHER, .250 SPLIT LOCK	
12	16692	1	V-BELT, MITSUBISHI	
13	N/A	2	BOLT W/WASHER	
14	11691SRV	1	BRACKET, LOWER RADIATOR HOSE GUARD	
15	11148	1	DIPSTICK, OIL	
16	70124	1	FILTER, OIL	
17	60778	4	CLAMP, HOSE - .188, CRIMP STYLE	
18	14211	1.04 ft	HOSE, FUEL - .188 ID, 50 PSI, SAE 30R7	
19	14211	.16 ft	HOSE, FUEL - .188 ID, 50 PSI, SAE 30R7	
20	17145	1	FITTING, TEE - .188 X .188 X .188 BARB, NYLON	
21	A0000116158	1	PICK-UP, MAG	
22	60777	4	CLAMP, HOSE - .312, CRIMP STYLE	
23	50018	1 ft	HOSE, FUEL - .312 ID, 50 PSI, SAE 30R7	
24	60649	1	CLAMP, TUBING - .750 HEAVY-DUTY	
25	10000044996	1	BRACKET, FUEL FILTER/PUMP, BLACK	
26	60256	2	SCREW, .312-18 X 1.5 STANDARD HEX, G5	
27	10000022110	1	FILTER, FUEL HEAD AND ELEMENT	includes element
28	A0000430610	1	FILTER, FUEL, ELEMENT	
29	50018	1.04 ft	HOSE, FUEL - .312 ID, 50 PSI, 30R7	
30	60144	3	NUT, .250-20 NYLOCK, G5	
31	60243	5	WASHER, .250 FLAT .735/.060	
32	13278SRV	1	FUEL PUMP, ELECTRIC	
33	60393	3	SCREW, .250-20 X 1.0 STANDARD HEX, G5	
34	10000037445	1	ENGINE - MITSUBISHI LE3, T4 EXT SVC	
35	10000021718	1	FILTER, AIR, W/BRACKET	includes element
36	10000035428	1	ELEMENT, AIR FILTER	
37	61061	2	SCREW, .312-18 X .875 STANDARD HEX, G5	
38	72175SRV	1	SENSOR, ATMOSPHERIC PRESSURE	
--	16677	1	SWITCH, OIL PRESSURE	
--	70021	1	COVER, AIR FILTER HOUSING	
--	12912	1	CAP, DUST	

**HEATED FUEL FILTER: (if equipped)**

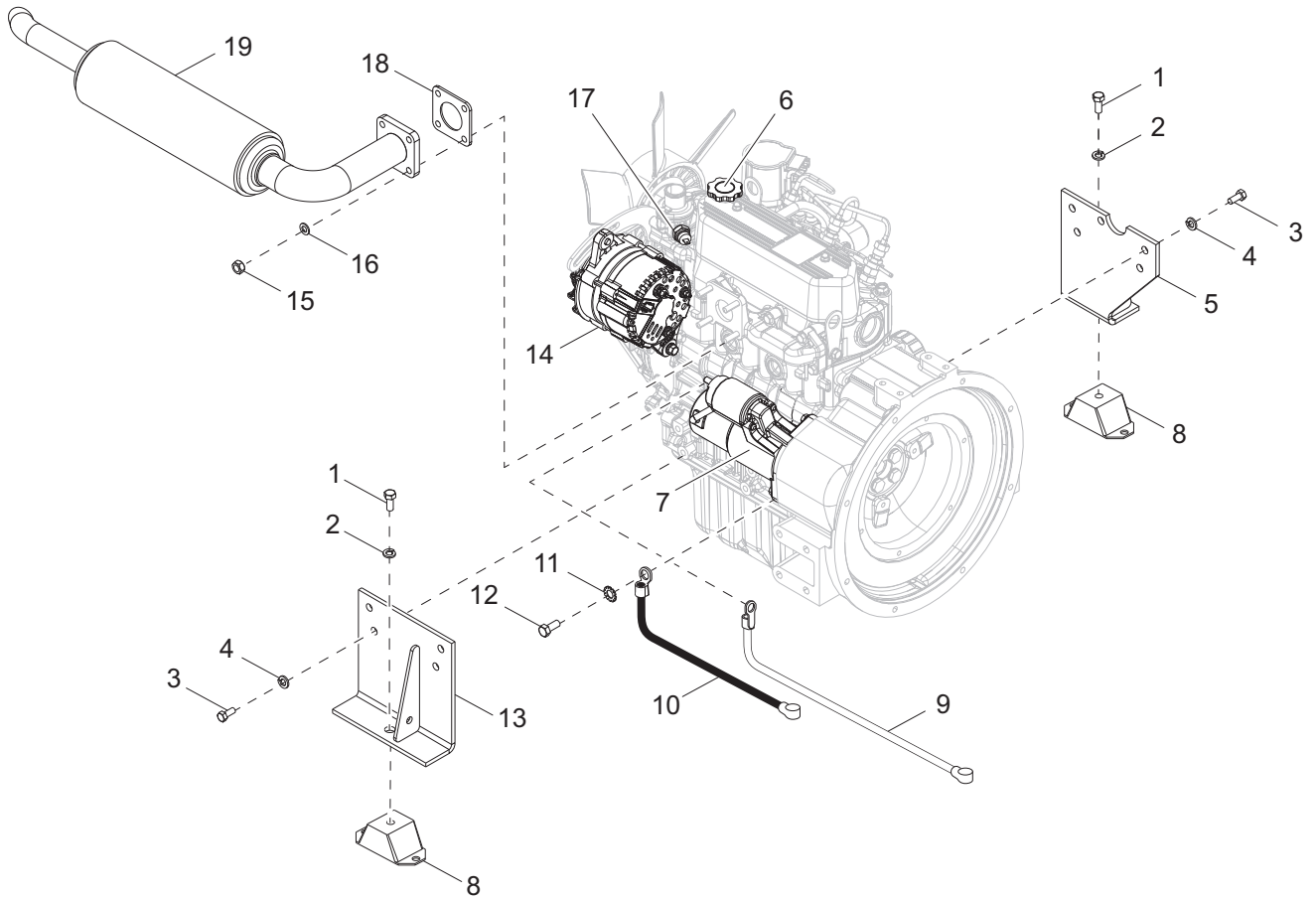
A	13876	1	KIT, HEATER - FUEL FILTER, MITSUBISHI
---	-------	---	---------------------------------------

**COLD WEATHER BELT: (if equipped)**

--	10386	1	BELT, COLD WEATHER - MITSUBISHI, 6KW & 8KW
----	-------	---	--

**Note:** Engine and generator parts used in all Generac Mobile Products equipment carry the Original Equipment Manufacturer (OEM) warranty unless otherwise stated. OEM warranty parts must be purchased through an OEM dealer. Please contact Generac Mobile Products with questions.

# ENGINE ASSEMBLY - MITSUBISHI RIGHT SIDE



03843

## ENGINE ASSEMBLY - MITSUBISHI RIGHT SIDE

Item	Part No.	Qty	Description	Notes
1	60275	2	SCREW, .500-13 X 1.0 STANDARD HEX, G5	
2	60702	2	WASHER, .500 SPLIT LOCK, SS	
3	60422	8	SCREW, M10-1.25 X 25 STANDARD HEX, G8.8	
4	60026	8	WASHER, M10 SPLIT LOCK	
5	70130B	1	WELDMENT, ENGINE MOUNT - RIGHT, BLACK	
6	11147	1	CAP, OIL FILLER	
7	70232	1	STARTER	
8	15241	2	ISOLATOR, RUBBER - 80-200 LBS, 2 IN. WIDE	
9	A0000245046	1	CABLE, BATTERY - 38 IN RED 0.375 LUG 45 DEG	
10	15073	1	CABLE, BATTERY - 24 IN, 4GA BLACK, .438 LUG	
11	60747	1	WASHER, .375 INTERNAL STAR	
12	60495	1	SCREW, M10-1.25 X 16 STANDARD HEX, G8.8	
13	16554B	1	WELDMENT, ENGINE MOUNT - LH, BLACK	
14	A0000083440	1	ALTERNATOR	
15	60032	4	NUT, M8 - 1.25 HEX, G8.8	
16	60029	4	WASHER, M8 SPLIT LOCK	
17	16678	1	SWITCH, TEMPERATURE SENSOR	
18	11042SRV	1	GASKET, MUFFLER	
19	13710	1	MUFFLER, 30° FLARE	
--	10000041832	1	HARNESS, ENGINE - MITSUBISHI	

*SILENT PACK: (if equipped)*

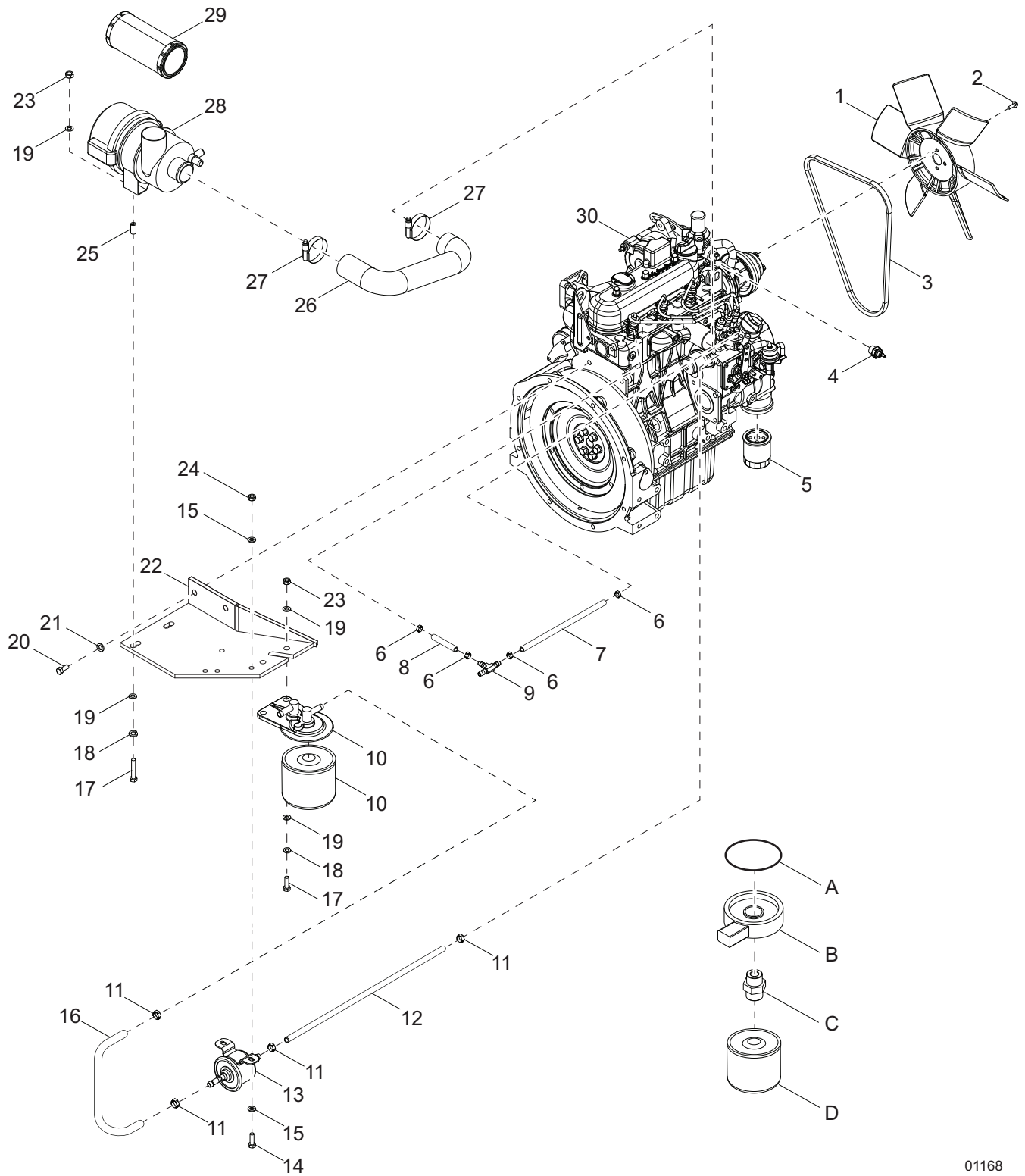
--	34776	1	MUFFLER, MITSUBISHI MODIFIED	
----	-------	---	------------------------------	--

*BATTERY DISCONNECT: (if equipped)*

--	69896	1	CABLE, BATTERY, JUMPER 33.0" 4 GA RED - .375 LUG	
----	-------	---	--	--

**Note:** Engine and generator parts used in all Generac Mobile Products equipment carry the Original Equipment Manufacturer (OEM) warranty unless otherwise stated. OEM warranty parts must be purchased through an OEM dealer. Please contact Generac Mobile Products with questions.

# ENGINE ASSEMBLY - KUBOTA LEFT SIDE



01168

## ENGINE ASSEMBLY - KUBOTA LEFT SIDE

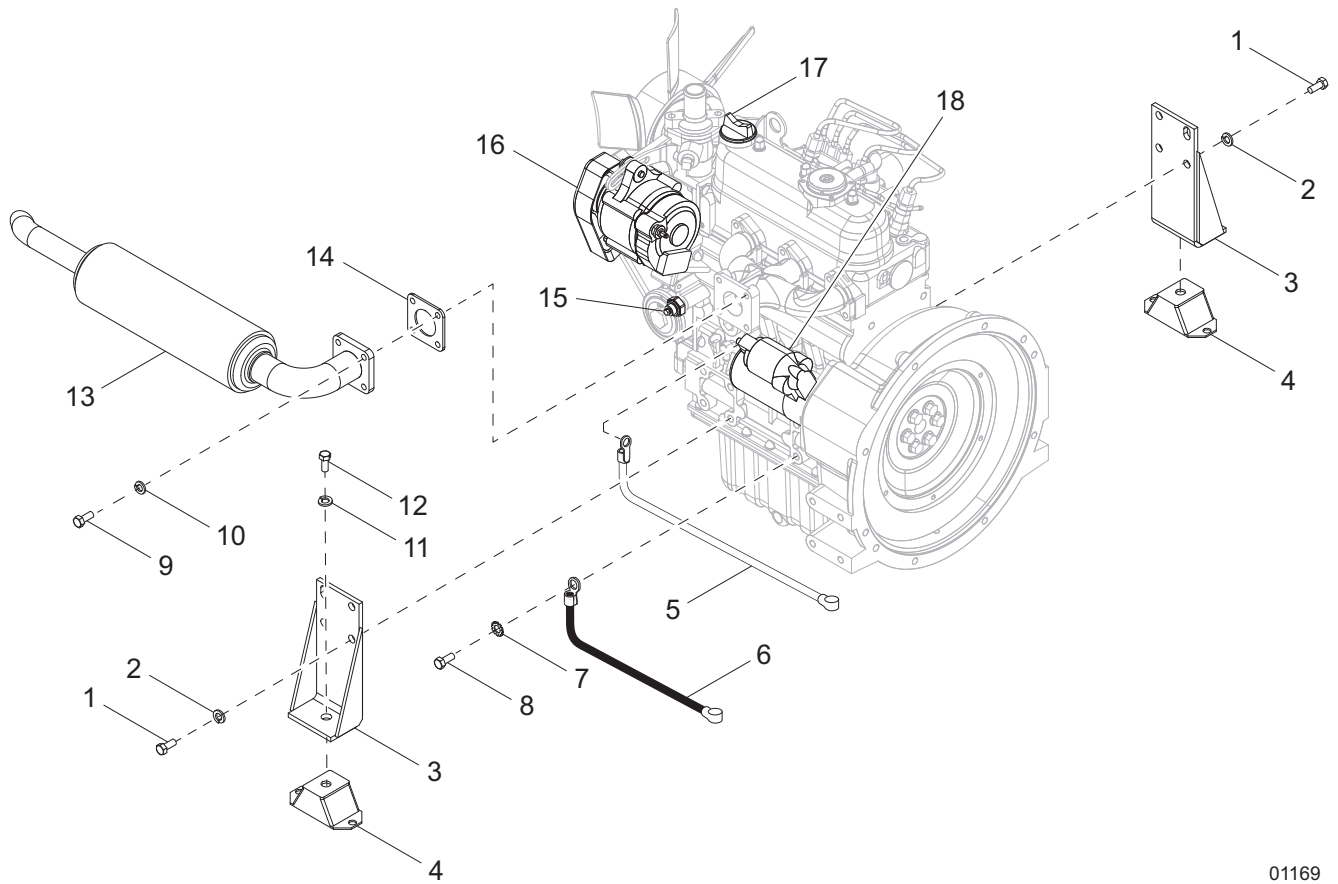
Item	Part No.	Qty	Description	Notes
1	15495	1	FAN, ENGINE	
2	60087	4	SCREW, M6-1.0 X 16 SERRATED FLANGE HEX, G8.8	
3	11628	1	BELT, V	
4	14099	1	SWITCH, COOLANT TEMPERATURE	
5	10775	1	FILTER, OIL	
6	60778	4	CLAMP, HOSE - .188, CRIMP STYLE	
7	14211	1.3 ft	HOSE, FUEL - .188 ID, 50 PSI, SAE 30R7	
8	14211	.167 ft	HOSE, FUEL - .188 ID, 50 PSI, SAE 30R7	
9	17145	1	FITTING, T - .188 X .188 X .188 BARB, NYLON	
10	A0003466536	1	ASSY-FILTER-FUEL-G34	includes element
--	A0003466535	1	FILTER-FUEL-G34	
11	60777	4	CLAMP, HOSE - .312, CRIMP STYLE	
12	50018	1.67 ft	HOSE, FUEL - .312 ID, 50 PSI, SAE 30R7	
13	13278SRV	1	PUMP, FUEL	
14	60393	2	SCREW, .250-20 X 1.0 STANDARD HEX, G5	
15	60243	4	WASHER, .250 FLAT .735/.060	
16	50018	1 ft	HOSE, FUEL - .312 ID, 50 PSI, SAE 30R7	
17	62001	4	SCREW, .312-18 X 1.25 STANDARD HEX, G5	
18	60271	4	WASHER, .312 SPLIT LOCK	
19	60119	8	WASHER, .312 FLAT .875/.070	
20	61082	2	SCREW, M8-1.25 X 20 STANDARD HEX, G8	
21	60029	2	WASHER, M8 SPLIT LOCK	
22	13483B	1	WELDMENT, FILTER BRACKET	
23	60285	4	NUT, .312-18 HEX, G2	
24	60144	2	NUT, .250-20 NYLOCK, G5	
25	41235ZY	2	SPACER, .75 OD X .44 ID X 1.0 LONG	
26	16589	1	HOSE, AIR CLEANER	
27	60316	2	CLAMP, HOSE - SAE 032 (1.56-2.50)	
28	10000021718	1	FILTER, AIR, ASSEMBLY	includes element
29	10000035428	1	ELEMENT, AIR FILTER	
30	13310	1	ENGINE, KUBOTA - D1005-E3BG1-MGM-1	

**HEATED FUEL FILTER: (if equipped)**

A	13834	1	GASKET, HEATED FUEL FILTER
B	13682	1	HEATER, FUEL FILTER
C	10407	1	ADAPTER, HEATED FUEL FILTER
D	13515	1	ELEMENT, HEATED FUEL FILTER
--	10662	1	HARNESS, FUEL FILTER HEATER - OUTSIDE
--	13684	1	HARNESS, FUEL FILTER HEATER - INSIDE

**Note:** Engine and generator parts used in all Generac Mobile Products equipment carry the Original Equipment Manufacturer (OEM) warranty unless otherwise stated. OEM warranty parts must be purchased through an OEM dealer. Some Kubota engine parts are serial number specific. Please contact **Kubota Engine America Corp.** or the Generac Mobile Products Technical Service Department for information regarding engine parts.

# ENGINE ASSEMBLY - KUBOTA RIGHT SIDE



01169



## ENGINE ASSEMBLY - KUBOTA RIGHT SIDE

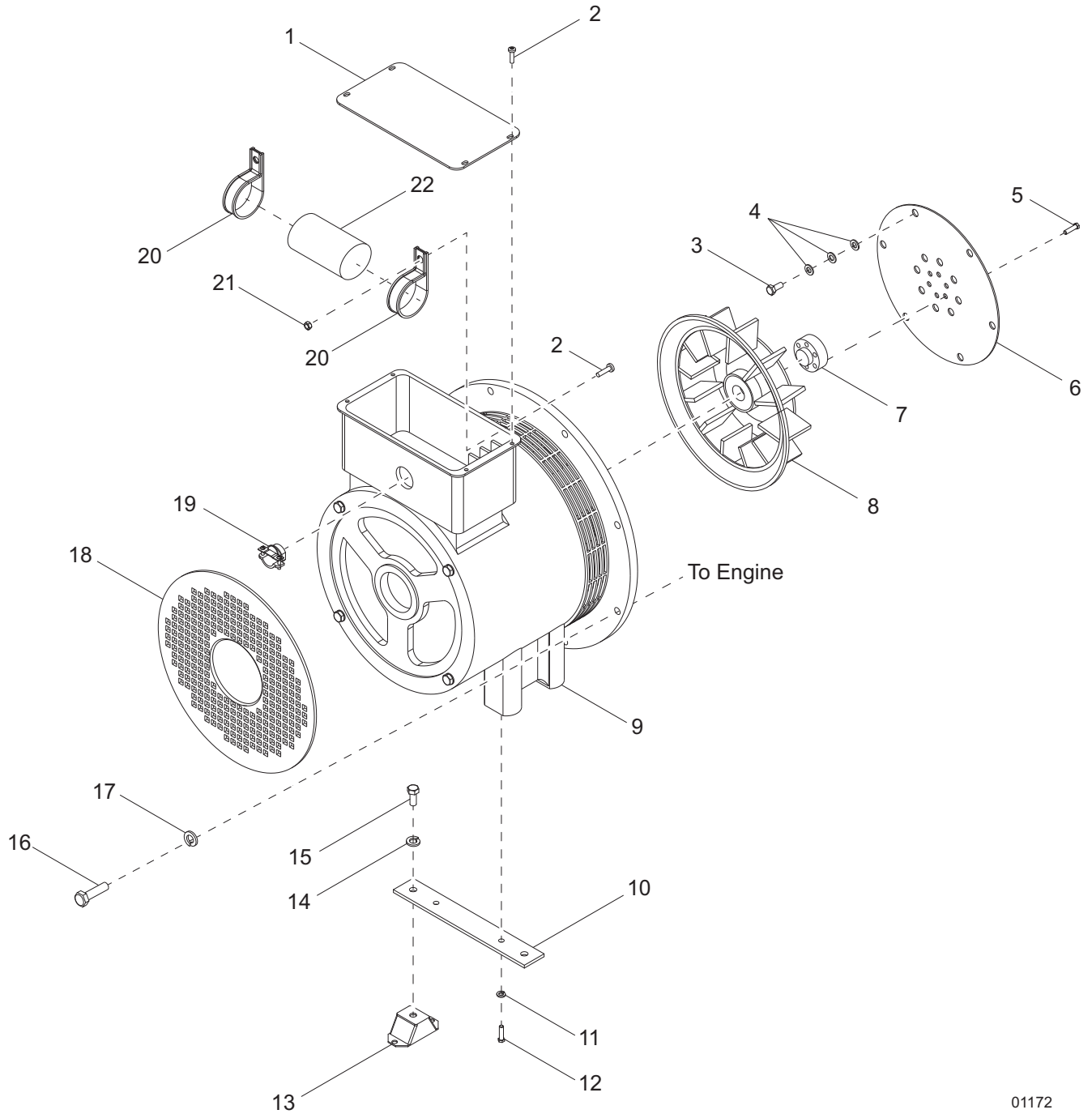
Item	Part No.	Qty	Description	Notes
1	60422	8	SCREW, M10-1.25 X 25 STANDARD HEX, G8.8	
2	60026	8	WASHER, M10 SPLIT LOCK	
3	12338B	2	WELDMENT, ENGINE MOUNT	
4	15241	2	ISOLATOR, RUBBER - 80-200 LBS, 2 INCH WIDE	
5	A0000245046	1	CABLE BATTERY 38IN RED 0.375 LUG 45 DEG	
6	15073	1	CABLE, BATTERY - 24 IN., 4GA BLK., .438 IN LUG	
7	60747	1	WASHER, .375 INTERNAL STAR	
8	60495	1	SCREW, M10-1.25 X 16 STANDARD HEX, G8.8	
9	63168	4	SCREW, M8-1.25 X 30 STANDARD HEX	
10	60029	4	WASHER, M8 SPLIT LOCK	
11	60702	2	WASHER, .500 SPLIT LOCK, SS	
12	60275	2	SCREW, .500-13 X 1.0 STANDARD HEX, G5	
13	13709	1	MUFFLER, 30 DEGREE FLARE	
14	11042SRV	1	GASKET, MUFFLER	
15	14099	1	SWITCH, COOLANT TEMPERATURE	
16	12486	1	ALTERNATOR	
17	12484	1	CAP, OIL FILLER	
18	30582	1	STARTER	
--	10461	1	HARNESS, ENGINE, KUBOTA 6/8KW MLT	MLT4060KV
--	16153	1	HARNESS, ENGINE - KUBOTA	MLT4080KV

*SILENT PACK: (if equipped)*

--	36391	1	MUFFLER, KUBOTA MODIFIED	
----	-------	---	--------------------------	--

**Note:** Engine and generator parts used in all Generac Mobile Products equipment carry the Original Equipment Manufacturer (OEM) warranty unless otherwise stated. OEM warranty parts must be purchased through an OEM dealer. Some Kubota engine parts are serial number specific. Please contact **Kubota Engine America Corp.** or the Generac Mobile Products Technical Service Department for information regarding engine parts.

# GENERATOR ASSEMBLY



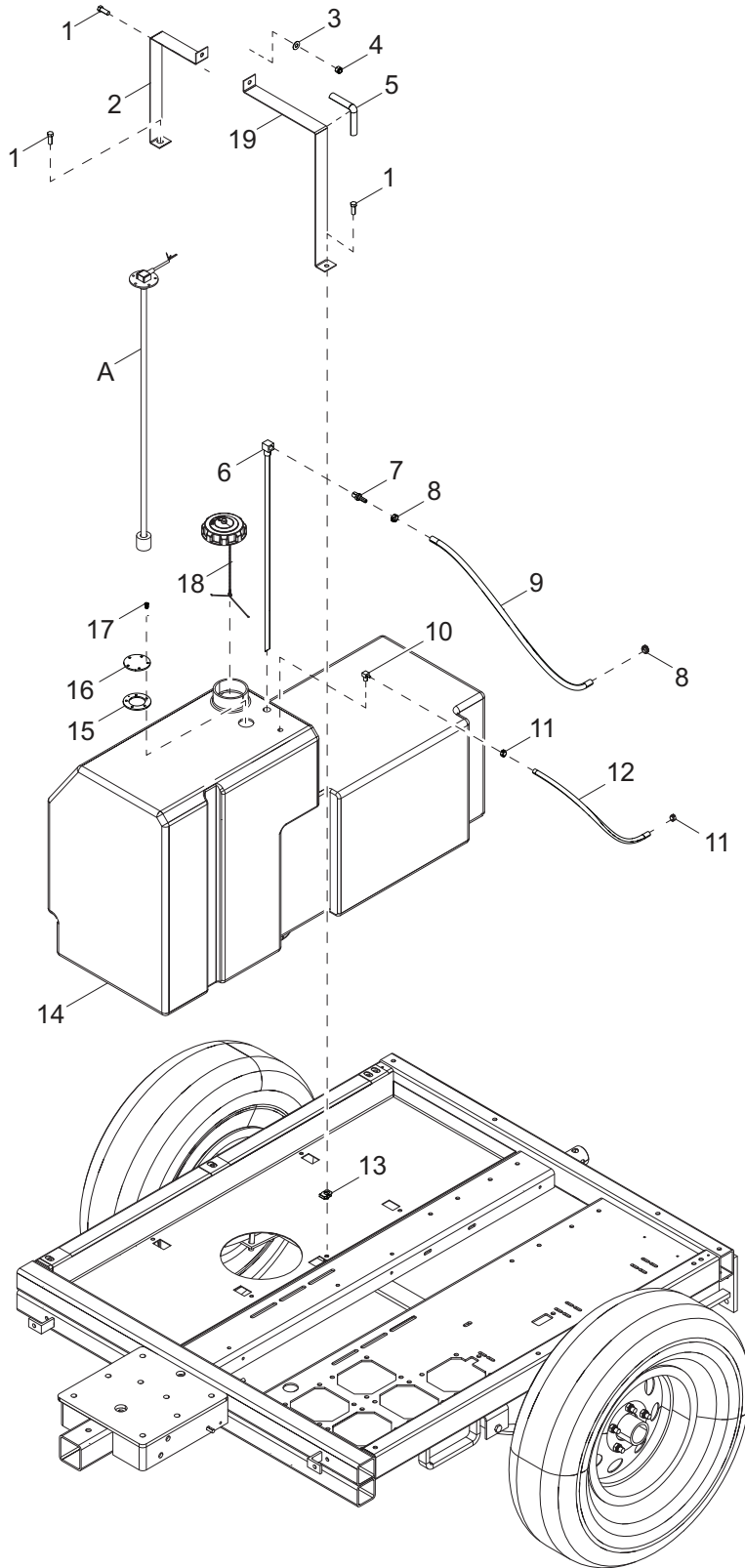
01172

## GENERATOR ASSEMBLY

Item	Part No.	Qty	Description	Notes
1	12736	1	COVER, GENERATOR - 6KW	
2	60398	6	SCREW, 10-32 X 5.0 PAN PHILLIPS, SS	
3	60168	6	SCREW, .312-18 X .750 STANDARD HEX, G5	MLT4060/80KV
--	60165	6	SCREW, M8-1.25 X 16 STANDARD HEX, G10	MLT4060MV only
4	60166	18	WASHER, M8 FLAT	MLT4060MV (qty 12 only)
5	11336	6	SCREW, .375-24 X 1.75	
6	16123	1	PLATE, DRIVE - SAE 6.5	
7	11339	1	SPACER, GENERATOR DRIVE PLATE	
8	12527	1	FAN, GENERATOR	
--	12329	1	SEAL, PANCAKE BEARING - 6KW	Included w/item 9,
--	12328	1	BEARING, PANCAKE - 6KW	Included w/item 9,
9	16556	1	GENERATOR, MARATHON - 6KW	MLT4060MKV
--	10486	1	GENERATOR, MARATHON - 8KW	MLT4080KV
10	15045B	1	BRACKET, GENERATOR	
11	60206	2	WASHER, .375 SPLIT LOCK	
12	60205	2	SCREW, .375-16 X 1.0 STANDARD HEX, G5	
13	15241	2	ISOLATOR, RUBBER - 80-200 LBS, 2 INCH WIDE	
14	60702	2	WASHER, .500 SPLIT LOCK, SS	
15	60275	2	SCREW, .50-13 X 1.0 STANDARD HEX, G5	
16	60352	8	SCREW, .375-16 X 1.25 STANDARD HEX, G5	MLT4060/80KV
--	60494	8	SCREW, M10-1.25 X 30 STANDARD HEX, G8.8	MLT4060MV
17	60206	8	WASHER, .375 SPLIT LOCK	MLT4060/80KV
--	60026	8	WASHER, M10 SPLIT LOCK	MLT4060MV
18	12327	1	COVER, PANCAKE CASE	
19	14219	1	STRAIN RELIEF - .750 ROMEX WITH NUT	
20	16395	2	CLAMP, CAPACITOR	
21	61045	2	NUT, 10-32 SERRATED FLANGE	
22	35132	1	CAPACITOR, 25MF 440V - 6KW	
--	16153	1	HARNESS, GENERATOR - 6KW	

**Note:** Engine and generator parts used in all Generac Mobile Products equipment carry the Original Equipment Manufacturer (OEM) warranty unless otherwise stated. OEM warranty parts must be purchased through an OEM dealer. Please contact Generac Mobile Products with questions.

# FUEL TANK TO UNIT



03784

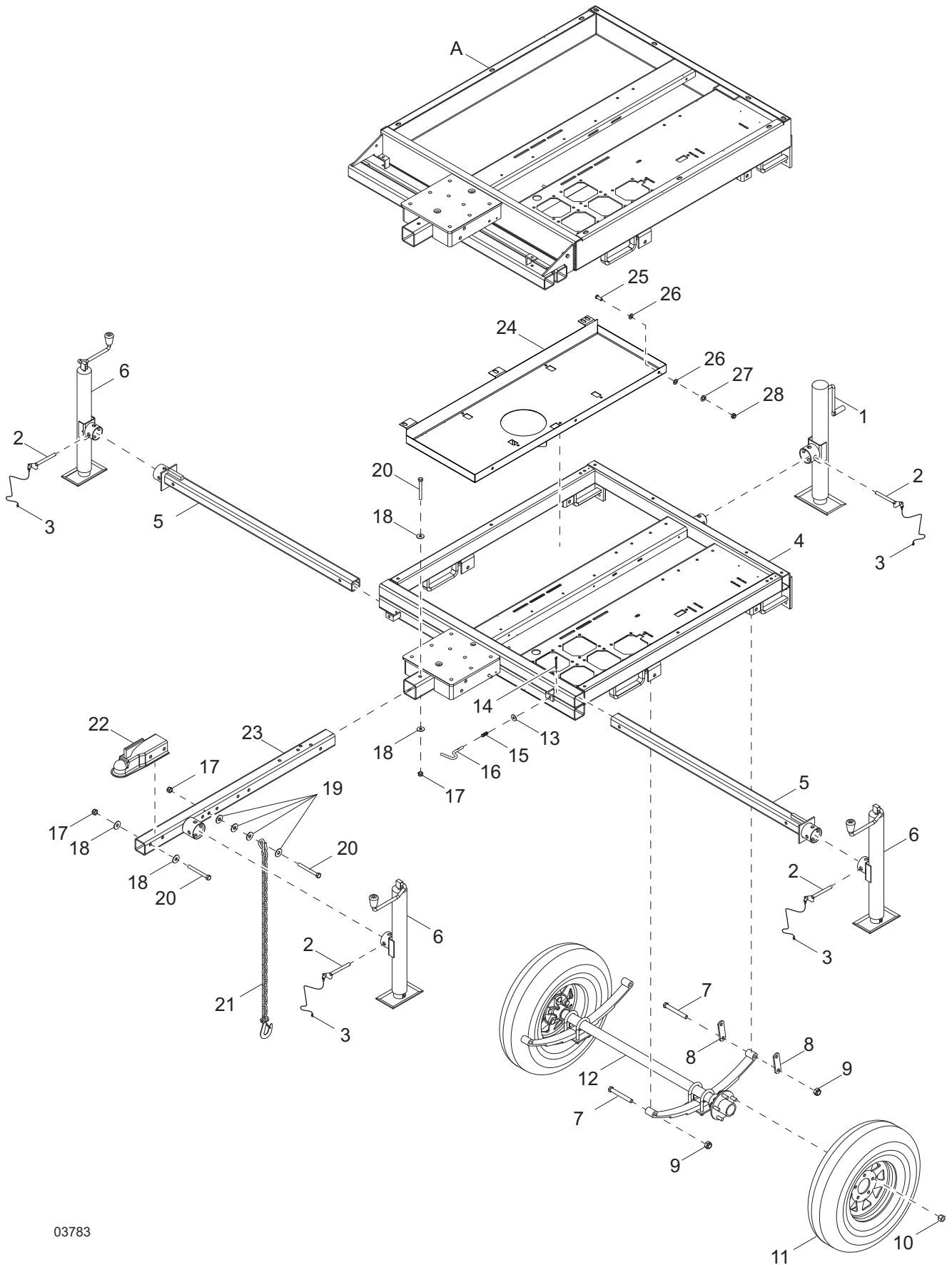
## FUEL TANK TO UNIT

Item	Part No.	Qty	Description	Notes
1	60334	3	SCREW, .375-16 X 1.00 STANDARD HEX, G5	
2	A0001991206	1	STB WELDMENT FUEL TANK STRAP - OUTSIDE	
3	60698	1	WASHER, .375 FLAT .875/.040, SS	
4	60358	1	NUT, .375-16 NYLOCK, G5	
5	50197	1	WEATHERSTRIPPING	
6	12259	1	FUEL PICK-UP TUBE - 24 IN	
7	15142	1	FITTING, STRT - .250NPT X .312 BARB	
8	60777	2	CLAMP, HOSE - .312, CRIMP STYLE	
9	50018	3.0 ft	HOSE, FUEL .312 ID 50 PSI SAE 30R7	
10	16271	1	FITTING, 90° - .250NPT X .188 BARB	
11	60778	2	CLAMP, HOSE - .188, CRIMP STYLE	
12	14211	2.5 ft	HOSE, FUEL - .188 ID, 50 PSI, SAE 30R7	
13	60505	4	NUT, .312-18 U-CLIP - LONG TYPE	
14	39998	1	TANK, FUEL - 56 GALLON	
15	N/A	1	GASKET, PLATE COVER	w/ A0001557886
16	N/A	1	PLATE, COVER	w/ A0001557886
17	N/A	5	SCREW, 10-24 X .500 PAN PHILLIPS, G2	w/ A0001557886
18	12137	1	CAP, FUEL TANK, WITH LANYARD	
19	A0001991204	1	STB WELDMENT FUEL TANK STRAP - INSID	
--	A0001557886	1	KIT, SENDER PLATE	Inc items 15,16,17

### FUEL SENDING UNIT (if equipped)

A	68830	1	MLT4000 FUEL SENDING UNIT ASSEMBL
---	-------	---	-----------------------------------

# TRAILER ASSEMBLY



03783

## TRAILER ASSEMBLY

Item	Part No.	Qty	Description	Notes
1	13050	1	JACK, SIDE WIND - TUBE MOUNT	
2	23256	4	PIN, JACK - 2000 LB, TUBE MOUNT	
3	12647	4	CABLE, TETHER - JACK PIN AND COVER	
4	13335B	1	WELDMENT, CHASSIS	
5	69813Z	2	WELDMENT, OUTRIGGER TUBE JACK MOUNT	
6	13051	3	JACK, TOP WIND	
7	60503	6	SCREW, SHACKLE, .562-18 X 3.0 STD HEX, G5	
8	19637	4	PLATE, SHACKLE BRACKET	
9	60504	6	NUT, .562-18 LOCK, G5	
10	60096	10	NUT, .500-20 LUG, G5	
11	15976B	2	WHEEL, ST175/80D13, 1360 LB	
12	13131	1	AXLE, 3000IB	
13	35275	2	WASHER, .375 FLAT .416 X .820 X .057	
14	35274	2	COTTER PIN - .078 X 1.0	
15	35273	2	SPRING, COMPRESSION, .562 X 1.5	
16	35272	2	PIN, PLUNGER - .375	
17	62221	4	NUT, .500-13 NYLOCK, G5	
18	60309	3	WASHER, FLAT 1.060/.090	
19	60416	8	WASHER, .500 FLAT 1.375/.090	
20	50215	4	SCREW, .500-13 X 4.0 STD HEX, G5	
21	23367	2	CHAIN, SAFETY	
22	16830	1	COUPLER, 2.0 BALL/2.5 CHANNEL	
23	70184B	1	WELDMENT,- TUBE MOUNT JACK	
24	12358B	1	PAN, FUEL TANK - FLAT FRAME, BLAC	
25	60690	3	SCREW, .375-16X1.000 STD HEX 18-8 SS	
26	60698	6	WASHER, .375 FLAT .875/.040 18-8 SS USS	
27	60703	3	WASHER, .375 SPLIT LOCK 18-8 SS	
28	60140	3	NUT, .375-16 HEX G5 ZC	

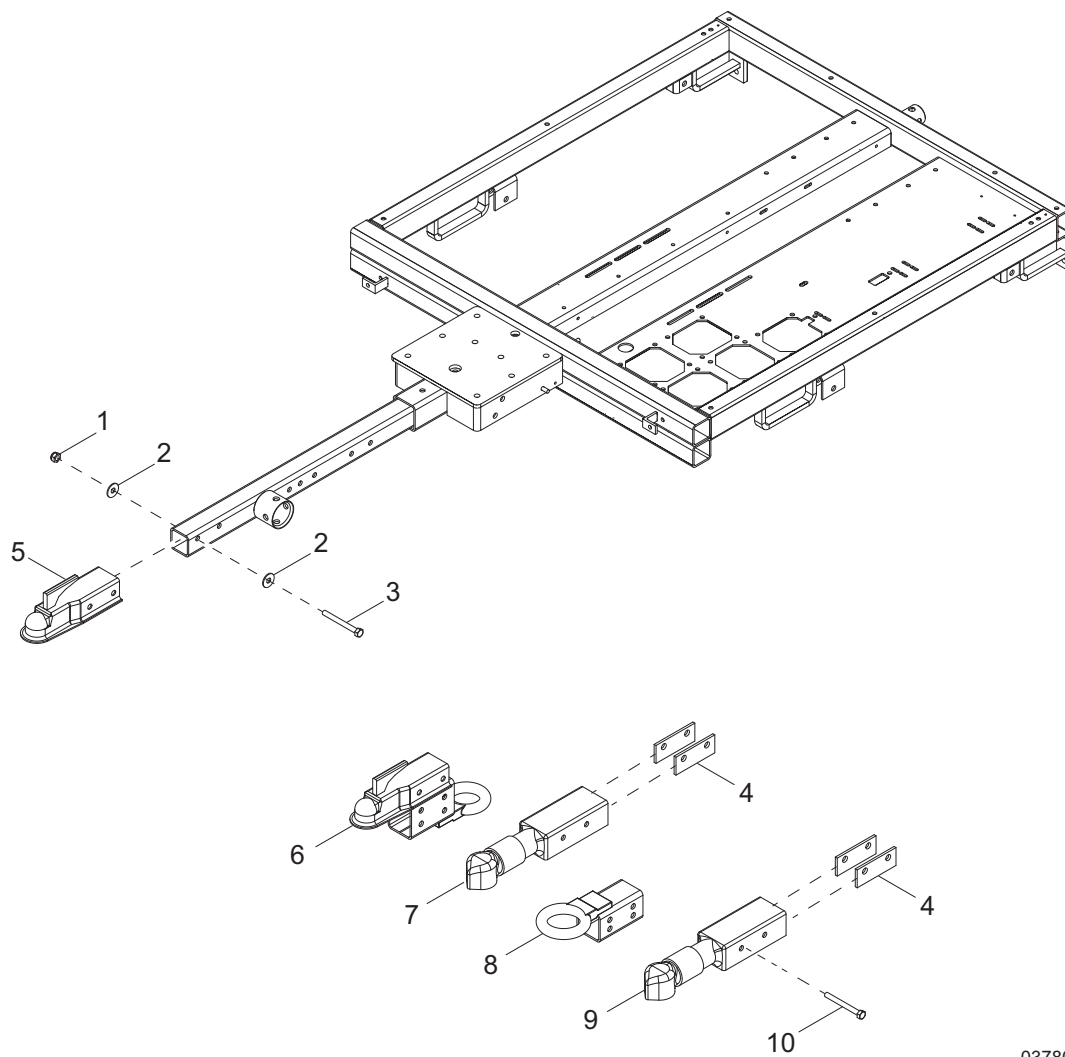
*CONTAINMENT: (if equipped)*

A	33243B	1	WELDMENT, CHASSIS, CONTAINMENT	
---	--------	---	--------------------------------	--

*TRAILER PLUG ADAPTERS: (if equipped)*

--	65463	1	ADAPTER, TRAILER WIRING - FLAT 4 TO ROUND 6 PIN	
--	65464	1	ADAPTER, TRAILER WIRING - FLAT 4 TO ROUND 7 PIN	
--	65465	1	ADAPTER, TRAILER WIRING - FLAT 4 TO ROUND 7 BLADE	

# TRAILER - HITCH OPTIONS



03780

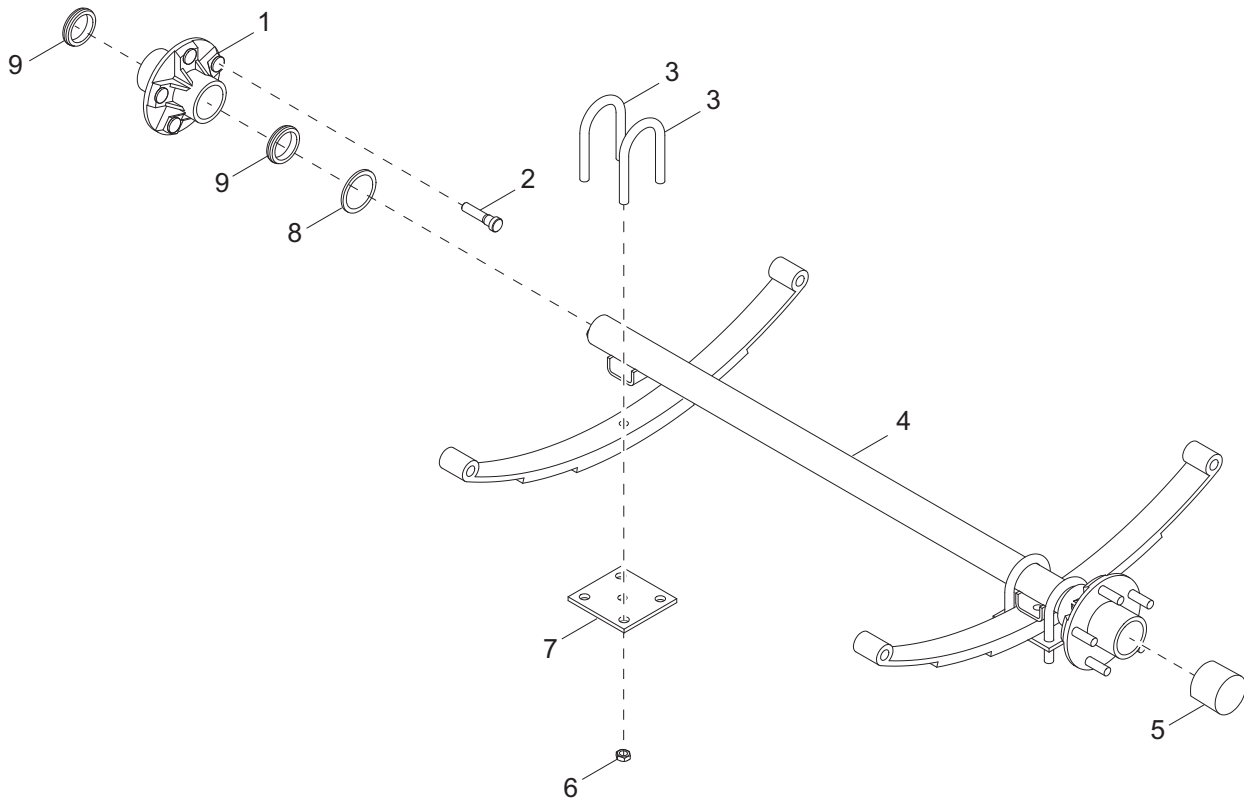


## TRAILER - HITCH OPTIONS

Item	Part No.	Qty	Description	Notes
1	62221	2	NUT, .500-13 NYLOCK, G5	
2	60309	4	WASHER, .500 FLAT 1.060/.090	
3	50215	2	SCREW, .500-13 X 4.0 STANDARD HEX, G5	
4	12155B	2	SPACER, COUPLER	
5	16830	1	COUPLER, 2.0 BALL/2.50 TONGUE	
6	34792ZC	1	WELDMENT, COMBINATION HITCH - 2.50 TONGUE	
7	13003B	1	COUPLER, 2.0 BULLDOG/3.0 TONGUE	
8	16835B	1	WELDMENT, LUNETTE RING - 3.0 X 1.0 RING/2.50	
9	17807	1	COUPLER, 2.312 BALL/3.00 CHANNEL	
10	60376	2	SCREW, .500-13 X 4.50 STANDARD HEX, G5	

# AXLE ASSEMBLY

---



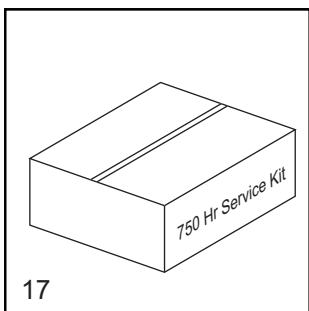
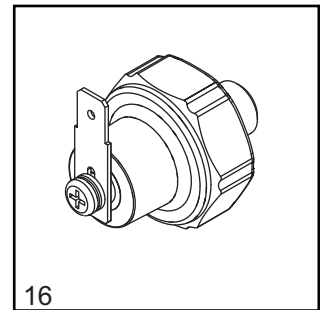
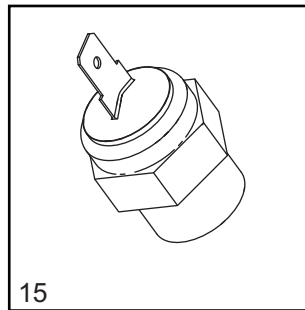
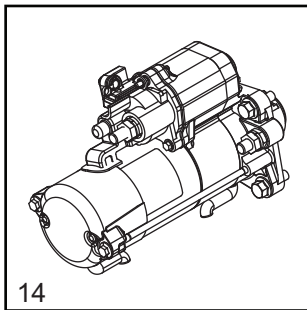
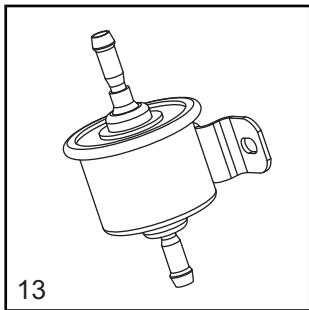
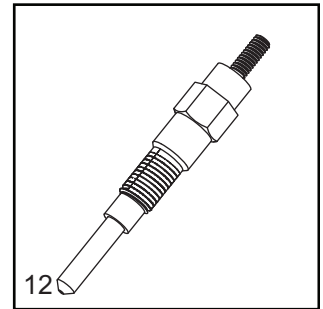
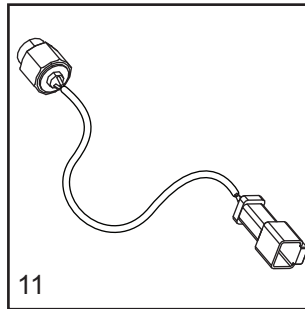
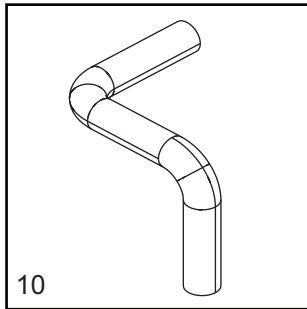
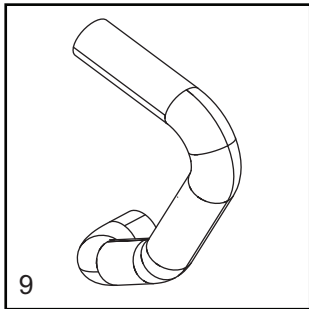
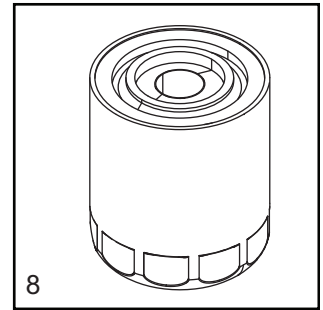
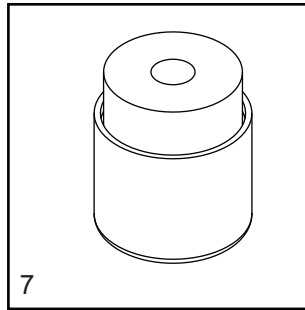
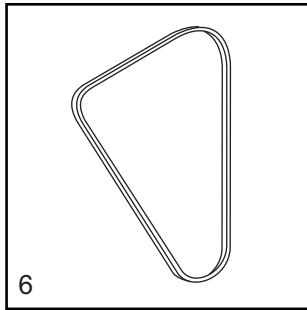
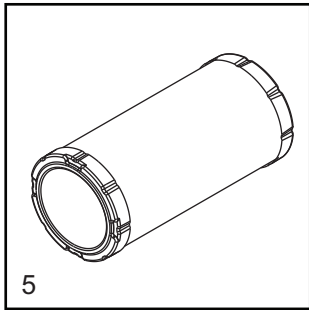
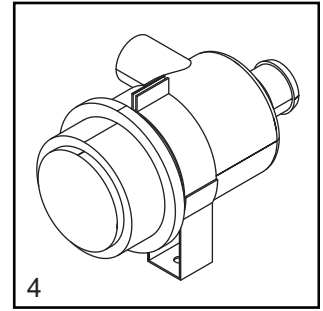
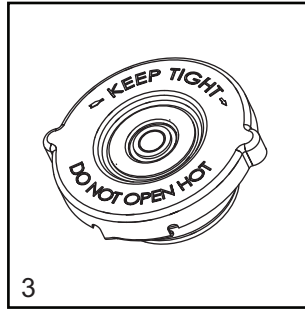
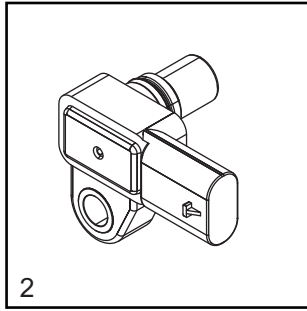
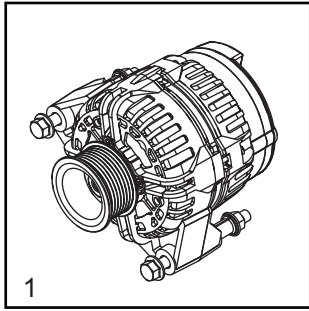
01746

## AXLE ASSEMBLY

---

Item	Part No.	Qty	Description	Notes
1	11206	2	AXLE HUB W/STUDS AND OUTER RACES	
2	60674	10	STUD, WHEEL, .500-20 WHEEL, G8	
3	11201	4	BOLT, U - 2200 LB	
4	16593	1	AXLE, 2200 LB 56TC 45SC	
5	12460	2	CAP, WHEEL BEARING	
6	11203	8	NUT, U-BOLT, 2200 LB	
7	11202	2	TIE-PLATE, 2200 LB	
8	13000	2	SEAL - 2200 LB	
9	11511	4	BEARING, ROLLER	

# RECOMMENDED SPARE PARTS - ENGINE AND SERVICE KITS - MITSUBISHI



## RECOMMENDED SPARE PARTS - ENGINE AND SERVICE KITS - MITSUBISHI

---

### ENGINE

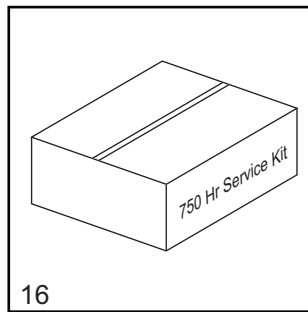
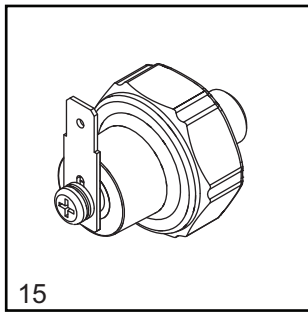
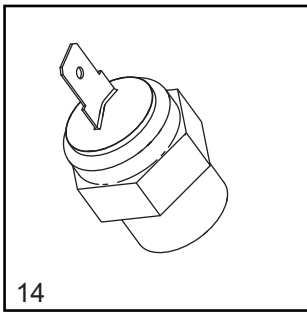
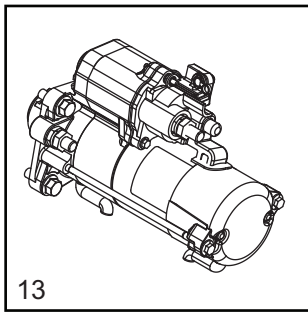
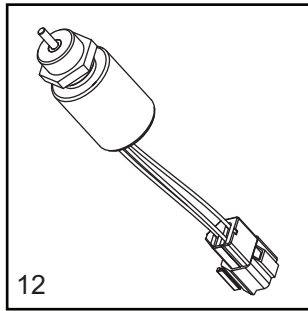
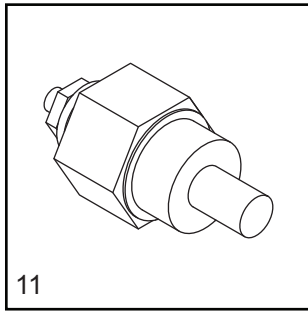
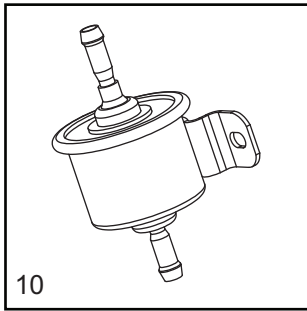
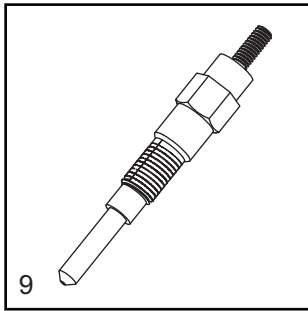
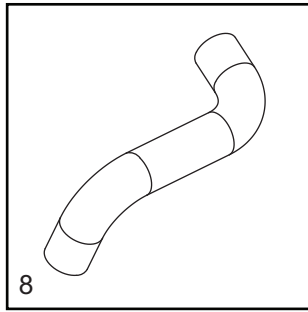
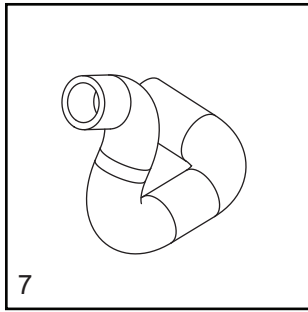
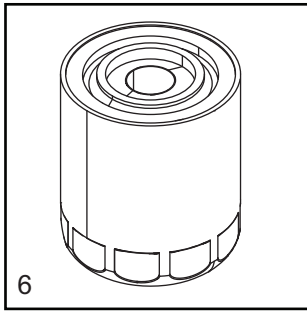
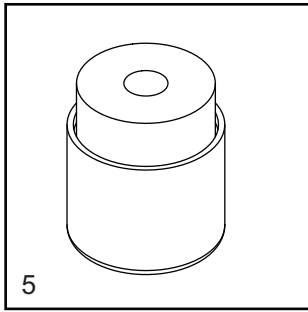
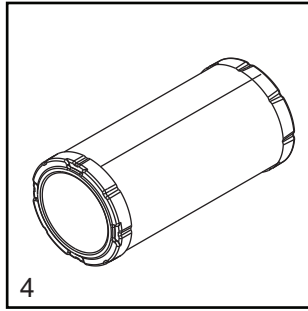
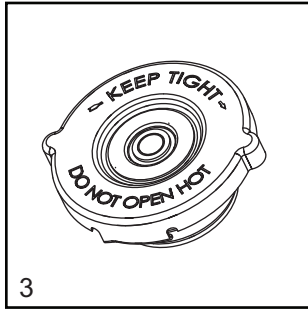
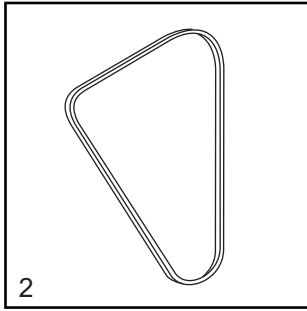
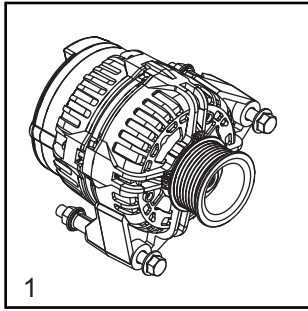
1. ALTERNATOR .....	A0000083440
2. ATMOSPHERIC PRESSURE SENSOR.....	72175SRV
3. CAP, FUEL TANK WITH LANYARD .....	16326
4. CAP, RADIATOR .....	19219
5. FILTER, AIR (ELEMENT) .....	10000035428
6. BELT .....	10386
7. FILTER, FUEL, MITSUBISHI.....	A0000430610
8. FILTER, OIL, MITSUBISHI (AFTER BREAK-IN 1).....	A0000630832
9. HOSE, RADIATOR - LOWER.....	16688SRV
10. HOSE, RADIATOR - UPPER.....	32383SRV
11. MAGNETIC PICK-UP .....	A0000116158
12. PLUG, GLOW.....	16693SRV
13. PUMP, FUEL.....	13278SRV
14. STARTER .....	70232
15. SWITCH, COOLANT TEMPERATURE .....	16678
16. SWITCH, OIL PRESSURE .....	16677

### SERVICE KITS

17. 750 HOUR KIT .....	10000036108
------------------------	-------------

INCLUDES: AIR FILTER 10000035428, FUEL FILTER ELEMENT A0000430610 AND  
OIL FILTER A0000630832

# RECOMMENDED SPARE PARTS - ENGINE AND SERVICE KITS - KUBOTA



## RECOMMENDED SPARE PARTS - ENGINE AND SERVICE KITS - KUBOTA

---

### ENGINE

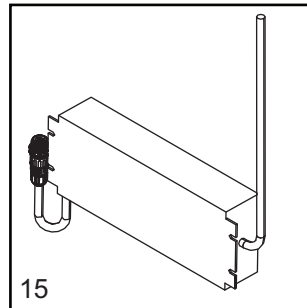
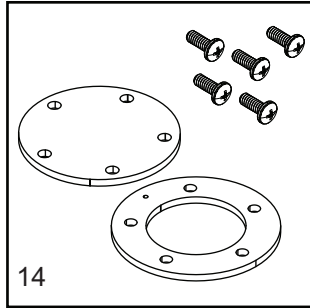
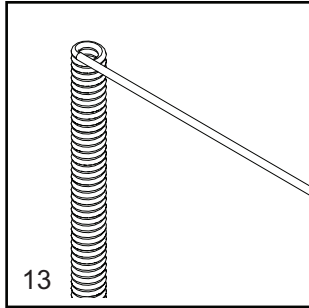
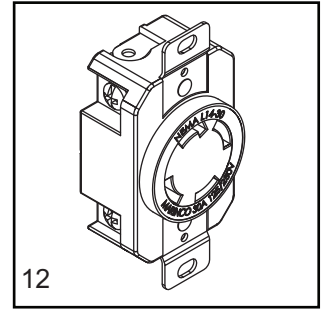
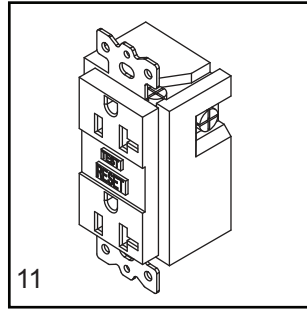
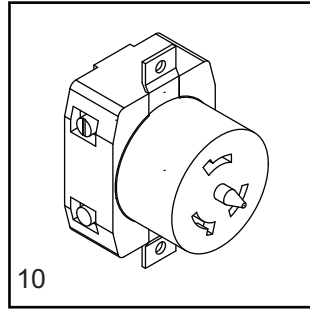
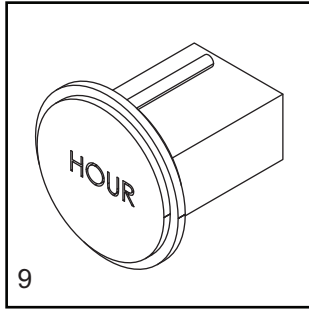
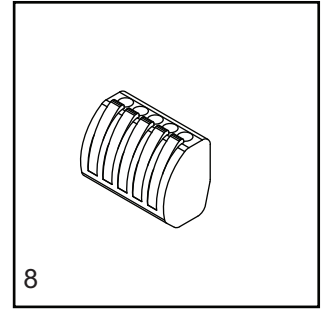
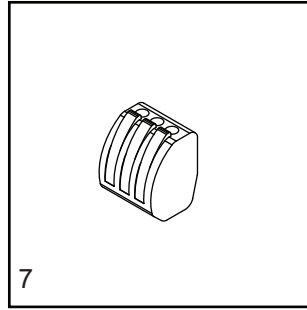
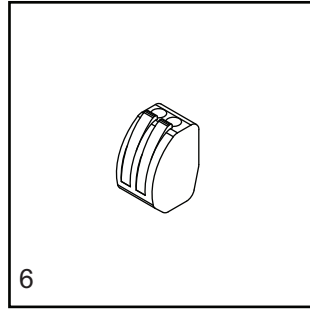
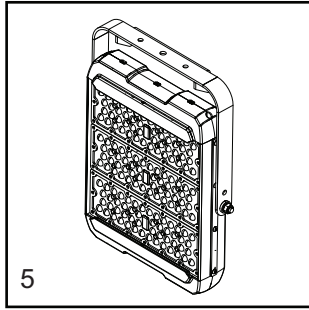
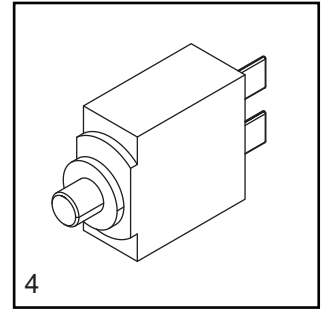
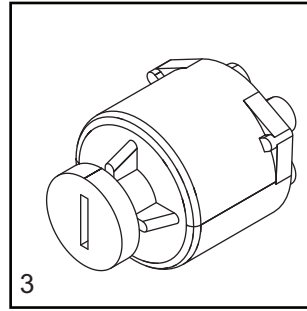
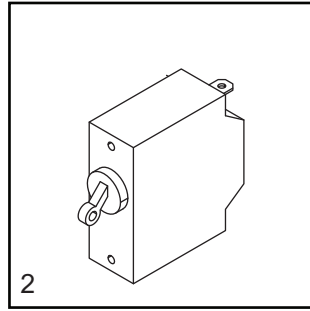
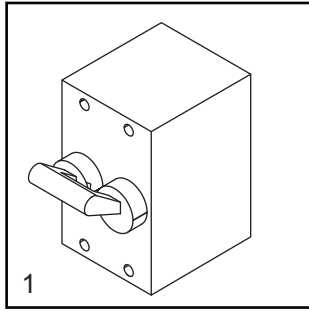
1. ALTERNATOR .....	12486
2. BELT, V, KUBOTA .....	11628
3. CAP, RADIATOR .....	19219
4. FILTER, AIR (ELEMENT) .....	10000035428
5. FILTER, FUEL ELEMENT, KUBOTA.....	A0003466535
6. FILTER, OIL, KUBOTA D1005/D1105 .....	10775
7. HOSE, LOWER RADIATOR, KUBOTA.....	12350
8. HOSE, UPPER RADIATOR KUBOTA .....	36977
9. PLUG, GLOW, KUBOTA (START SN 489916).....	13238
10. PUMP, FUEL.....	13278SRV
11. SENDER, COOLANT TEMP.....	12873
12. SOLENOID, FUEL SHUTDOWN (2 WIRE).....	13018
13. STARTER- KUBOTA D1005 .....	30582
14. SWITCH, COOLANT TEMPERATURE - KUBOTA D850 .....	14099
15. SWITCH, OIL PRESSURE, KUBOTA D905 .....	15375

### SERVICE KITS

16. 750 HOUR KIT.....	10000036039
-----------------------	-------------

INCLUDES: AIR FILTER ELEMENT 10000035428, FUEL FILTER ELEMENT A0003466535 AND OIL FILTER 10775

# RECOMMENDED SPARE PARTS - ELECTRICAL





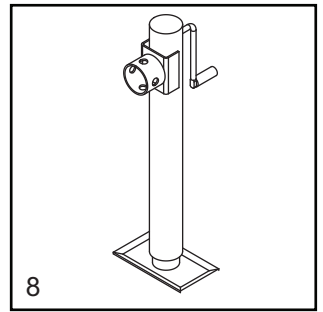
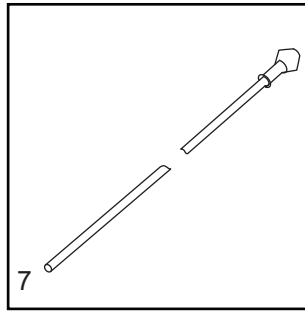
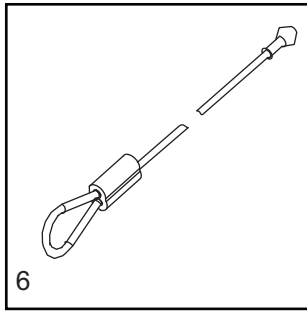
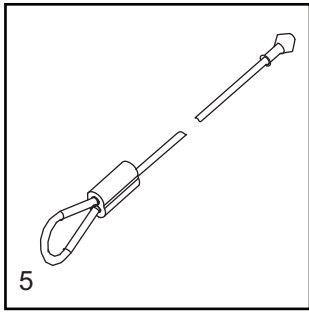
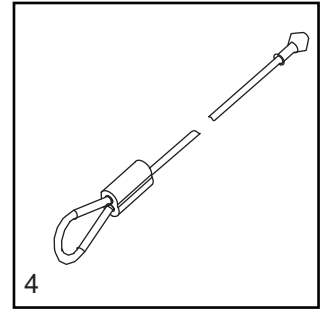
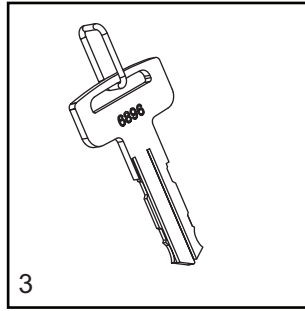
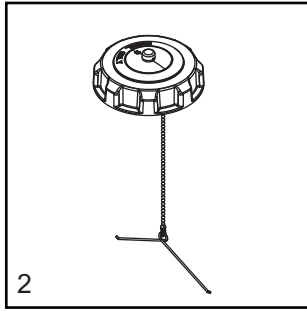
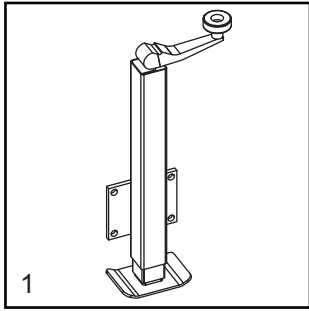
## RECOMMENDED SPARE PARTS - ELECTRICAL

---

### ELECTRICAL

1. BREAKER, 70A, 250V, 2 POLE, AM STUD TERMINAL .....	60736
2. BREAKER, 15A 250V, 1 POLE.....	14249
3. SWITCH, KEY .....	15195SRV
4. BREAKER, 10A 240V, 1 POLE - PUSH BUTTON.....	65850
5. ASSY LED LIGHT 320W W/O DRIVER.....	A0000948785
6. CONNECTOR, 2 POSITION (QTY - 4) .....	66100
7. CONNECTOR, 3 POSITION (QTY - 2) .....	66101
8. CONNECTOR, 5 POSITION (QTY - 1) .....	66102
9. GAUGE, HOUR METER .....	15085
10. RECEPTACLE, 240V/50A TWIST LOCK .....	18089
11. RECEPTACLE, 120V/20A GFI.....	14130
12. RECEPTACLE, 240V/30A TWIST L14-30R .....	65488
13. COIL CORD.....	11954
14. KIT, SENDER PLATE .....	A0001557886
15. ASSY DRIVER WITH CONNECTOR .....	A0000188779

# RECOMMENDED SPARE PARTS - MISC



**MISCELLANEOUS**

1. JACK, TOP WIND, 2000 LB ..... 13051  
2. CAP, FUEL TANK WITH LANYARD ..... 16326  
3. KEY (SET OF TWO)..... 15309  
4. CABLE, 69.25 IN ..... 34128  
5. CABLE, 69.75 IN ..... 34129  
6. CABLE, 67.875 IN ..... 34130  
7. CABLE, 116.00 IN..... 34132  
8. JACK, SIDE WIND, 2000 LB ..... 13050





Part No. A0001521579 Rev. D 2/28/2025

©2025 Generac Power Systems, Inc.  
All rights reserved.  
Specifications are subject to change without notice.  
No reproduction allowed in any form without prior written consent  
from Generac Power Systems, Inc.

**GENERAC** | **MOBILE**

Generac Power Systems, Inc.  
S45 W29290 Hwy. 59, Waukesha WI 53189  
[GeneracMobileProducts.com](https://www.GeneracMobileProducts.com) | 844-ASK-GNRC | 844-275-4672