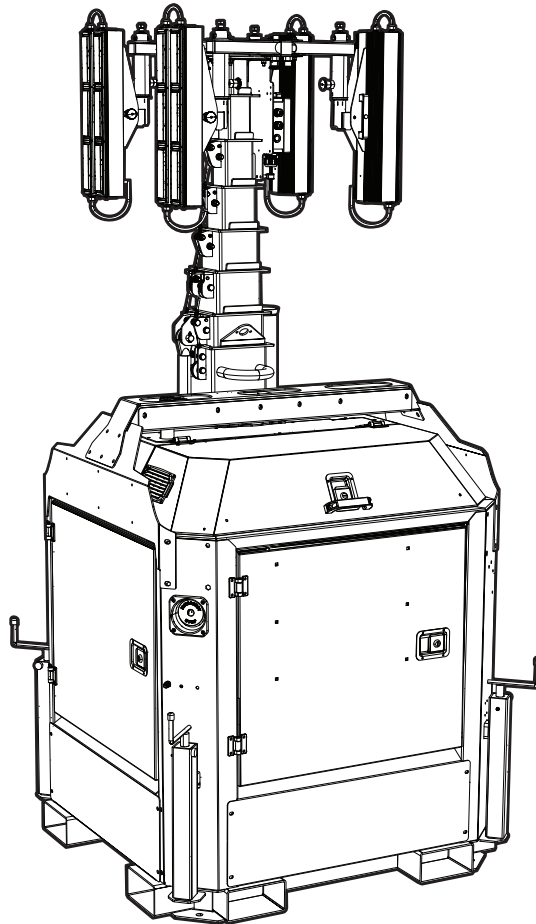


SLT-D CUBE

LED Light Tower Parts Manual



03258

MODEL NUMBER: _____

SERIAL NUMBER: _____

DATE PURCHASED: _____

SAVE THIS MANUAL FOR FUTURE REFERENCE

 **WARNING**

CANCER AND REPRODUCTIVE HARM

www.P65Warnings.ca.gov

(000393a)

 **WARNING**

Breathing diesel engine exhaust exposes you to chemicals known to the State of California to cause cancer and birth defects or other reproductive harm.

- Always start and operate the engine in a well-ventilated area.
- If in an enclosed area, vent the exhaust to the outside.
- Do not modify or tamper with the exhaust system.
- Do not idle the engine except as necessary.

For more information go to

www.P65Warnings.ca.gov/diesel

(000394)

Introduction

This parts manual was prepared based on the information available at the time of publication and is subject to change without notice. Generac Mobile reserves the right to change parts at any time. To check whether a revised parts manual is available, contact Generac Mobile.

DO NOT MODIFY or use this equipment for any application other than which it was designed for. To keep your equipment fully operational, it is suggested you maintain a stock of commonly used maintenance or service parts. A recommended spare parts list can be found in the back of this manual. To order service parts, please go to www.generacmobileproducts.com or call Generac Mobile.



WARNING

Consult Manual. Read and understand manual completely before using product. Failure to completely understand manual and product could result in death or serious injury. (000100a)

WARNING

Environmental Hazard. Always recycle batteries at an official recycling center in accordance with all local laws and regulations. Failure to do so could result in environmental damage, death, or serious injury. (000228)

GENERAC MOBILE PRODUCTS LLC

215 Power Drive • Berlin, WI 54923 U.S.A.

Phone: 920-361-4442

FAX: 920-361-4416

Toll Free: 1-800-926-9768

www.generacmobileproducts.com

For technical or parts QUESTIONS, contact Generac Mobile Technical Service at 1-800-926-9768.

Engine Make: _____

Engine Serial Number: _____

Engine Model Number: _____

This Page Intentionally Left Blank

Table of Contents

Introduction	iii
Parts Manual Instructions	1
Unit Decals	2
Command Panel	4
Command Panel Box.....	6
Hydraulic Components	8
Fuel Tank.....	10
Fuel Tank Plate	12
Base	14
Engine/Generator	16
Engine/Generator 2 - CSA.....	18
Doors	20
Canopy	22
Mast Assembly	24
Floodlights Group	26
Generator	28
Recommended Spare Parts - Engine	30
Recommended Spare Parts - Misc.....	32

This Page Intentionally Left Blank

Parts Manual Instructions


Product illustrations are only representations. Products supplied may vary from the illustrations in this parts manual. Parts not shown in the illustration are indicated by a double dash (--) in the item column.

Please be prepared to provide the following information when ordering replacement parts: model number, serial number (on unit serial tag), part number, purchase order number (if applicable), shipping address, shipping method.

Refer to the illustration below to locate the unit ID tag on the unit. Important information, such as the unit serial number, model number, and tire loading information are found on these tags. Record the information from these tags so it is available if the tags are lost or damaged. When ordering parts or requesting assistance, you may be asked to provide this information.

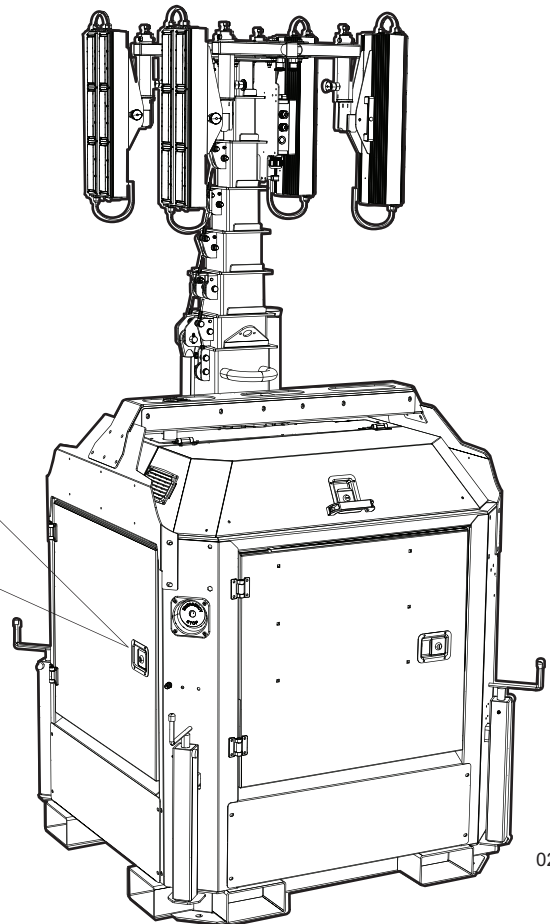
Manufactured by Generac Mobile Products, LLC. (920) 361-4442 (800) 926-9768					
Country of Origin	Model	Serial Number			
Manufacturing Code	Weight (lbs/kg)	RPM/Frequency			
1 ph. 1.0PF	3 ph. .8PF	3 ph. 1.0PF	Rating	Ins. Class	
KW				<input type="checkbox"/>	
KVA					Production Date
V					
A					
SUITABLE FOR WET LOCATIONS			FOR ELECTRICAL EQUIPMENT ONLY. FOUR MATERIAL. ELECTRODE SELECTION: 20949		
<small>Form: SFC0288</small>					

Standard version

Manufactured by Generac Mobile Products, LLC. (920) 361-4442 (800) 926-9768					
Country of Origin	Model	Serial Number			
Manufacturing Code	Weight (lbs/kg)	RPM/Frequency			
1 ph. 1.0PF	3 ph. .8PF	3 ph. 1.0PF	Rating	Ins. Class	
KW				<input type="checkbox"/>	
KVA					Production Date
V					
A					
SUITABLE FOR WET LOCATIONS			 FOR ELECTRICAL EQUIPMENT ONLY. FOUR MATERIAL. ELECTRODE SELECTION: 20949		
<small>Form: SFC0288</small>					

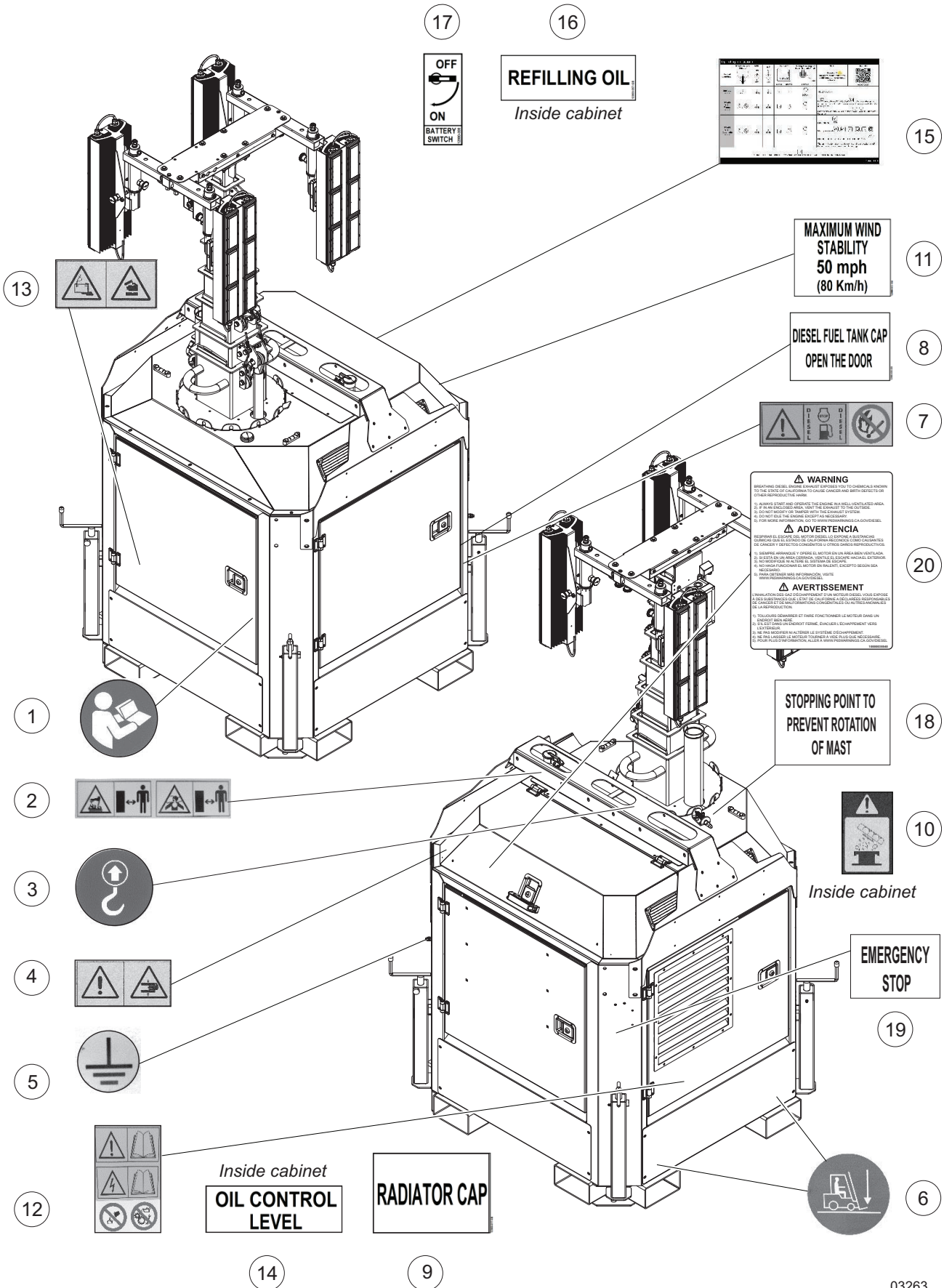
CSA version

*Located on control box
inside enclosure*



02938

UNIT DECALS

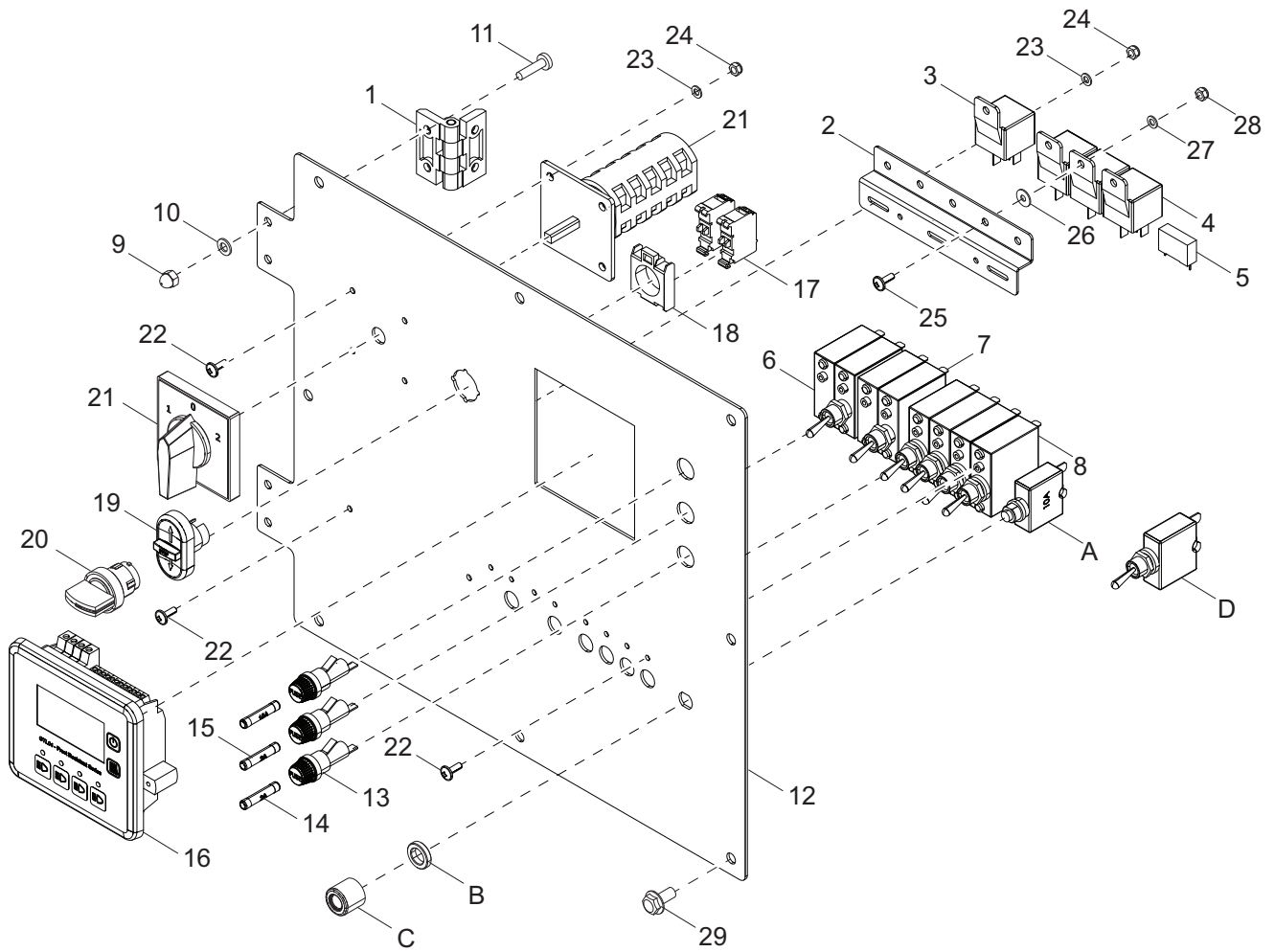


03263

UNIT DECALS

Item	Part No.	Qty	Description	Notes
1	A0000763414	2	Decal, read manual	
2	A0000762088	1	Decal, exhaust/gas	
3	A0000763415	2	Decal, lifting point	
4	A0000762098	4	Decal, warning, pinch points	
5	A0000764082	1	Decal, ground	
6	A0000763413	4	Decal, forklift pocket	
7	A0000762091	2	Decal, warning, stop engine when refueling	
8	A0000763214	1	Decal, fuel tank inside	
9	A0000763227	1	Decal, radiator cap	
10	A0000762100	1	Decal, danger, do not open when hot	
11	A0000763251	1	Decal, maximum wind stability	
12	A0000762099	2	Decal, warning - electrical	
13	A0000762097	2	Decal, warning - corrosive	
14	A0000763235	1	Decal, oil level control	
15	A0000767044	1	Decal, operating instructions	
16	A0000762084	1	Decal, refilling oil	
17	A0000763221	1	Decal, disconnect switch	if equipped
18	A0000767058	1	Decal, stopping point	
19	A0000767053	1	Decal, emergency stop button	
20	10000038540	1	Decal, Prop 65	
--	A0000392408	1	Decal, CO warning	CSA units

COMMAND PANEL



03264

COMMAND PANEL

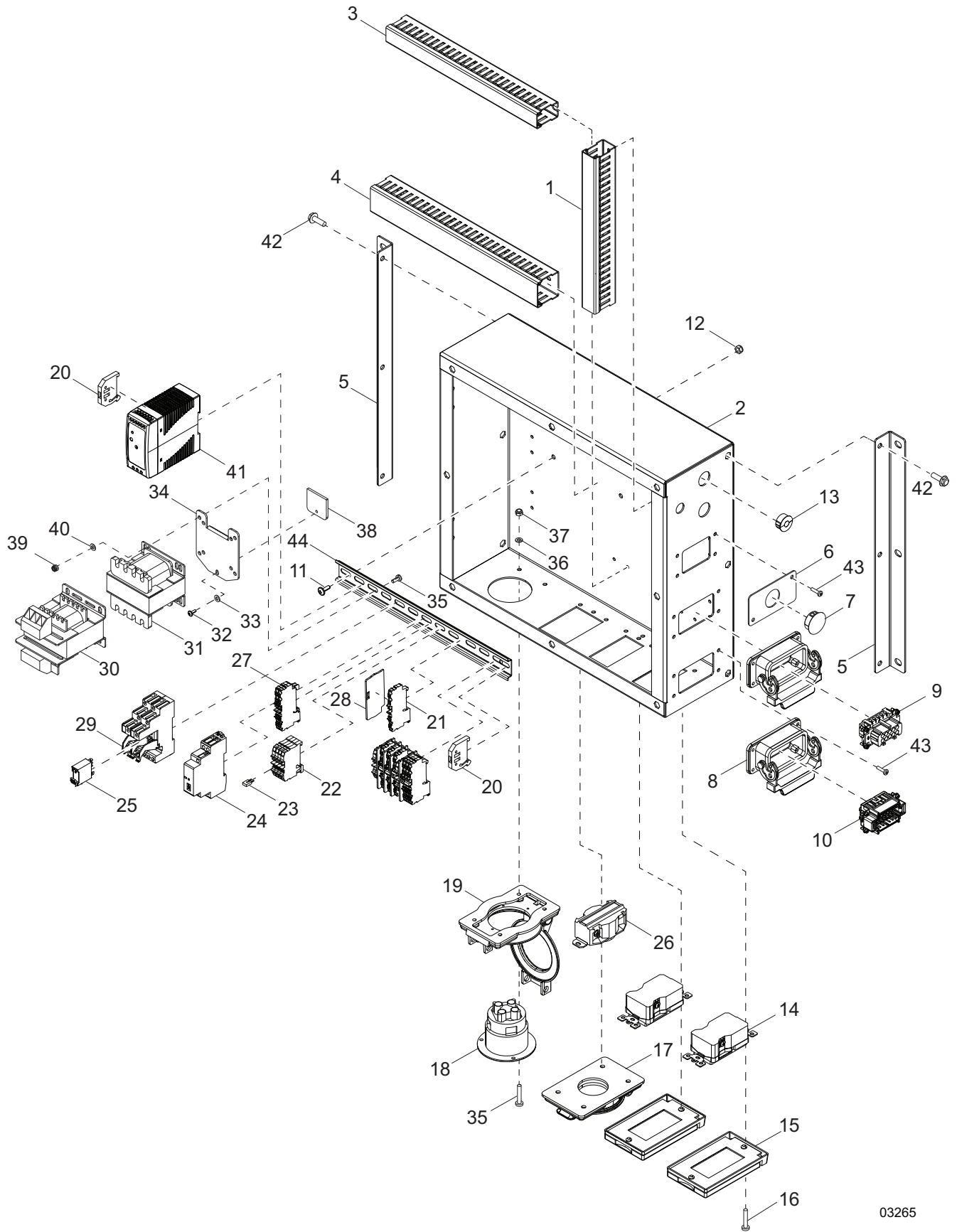
Item	Part No.	Qty	Description	Notes
1	A0000717190	1	Hinge	
2	A0000717195	2	Bracket, relay	
3	A0000215629	1	Relay, 12V 70A	
4	A0000215625	1	Relay, 12V 40A	
5	A0000216436	1	Capacitor 4,7µF 100V	
6	A0000215330	1	Circuit breaker, 15A 2P	
7	A0000215335	1	Circuit breaker, 5A 2P	
8	A0000717207	5	Circuit breaker, light switch 5A 1P	
9	-	4	Nut, M6 x 12, acorn	
10	G049811	4	Washer, M6 flat	
11	-	4	Screw, M6 x 12, Phillips head - tapered	
12	A0000717220	1	Front plate - aluminum	20051-X
13	A0000717234	3	Fuse holder, 6.3 x 32	
14	A0000215353	1	Fuse, 10A, 250V 6.3 x 32	
15	A0000215338	2	Fuse, 2A, 250V 6.3 x 32	
16	A0000883224	1	Controller, GTL01 Advance Series ⁽¹⁾	
--	A0000763452	1	Controller, programmed GTL04 ⁽¹⁾	SLT-D 5/6/7
17	A0000717241	2	NO auxiliary contactor pulse button	
--	A0002076114	1	Contact, aux - CSA	CSA only
18	A0000717246	1	Pulse button base	
--	A0002075543	1	Base, selector - CSA	CSA only
19	A0000216271	1	Switch, up/down	
20	A0001079318	1	Switch, CSA up/down	CSA only
21	A0000215369	1	Switch, 25A selector	
22	G089520	14	Screw, M4 x 16 Phillips head	
23	60084	32	Washer, M4 flat	
24	0E6480	32	Nut, M4 x 16 nylock	
25	-	4	Screw, M5 x 16 Phillips head, G4.8	
26	0E9493	3	Washer, M5 flat	
27	0E9493	4	Washer, M5 flat - fender	
28	60038	4	Nut, M5 x 16 nylock	
29	-	14	Screw, M6 x 16 serrated flange hex, G8.8	
--	A0000717206	1	Diode, 1N4007	

Coolant Heater (CSA-SLT-D 6 & 7)

A	A0001079321	1	Circuit breaker, thermal 10A	includes hardware
B	A0001079322	1	Ring,	
C	A0001079351	1	Cap, rubber - black	
D	A0001659009	1	Circuit breaker, toggle	CSA only

Note: (1) Always specify the serial number of machine, logic must be set according to the configuration of the machine.

COMMAND PANEL BOX

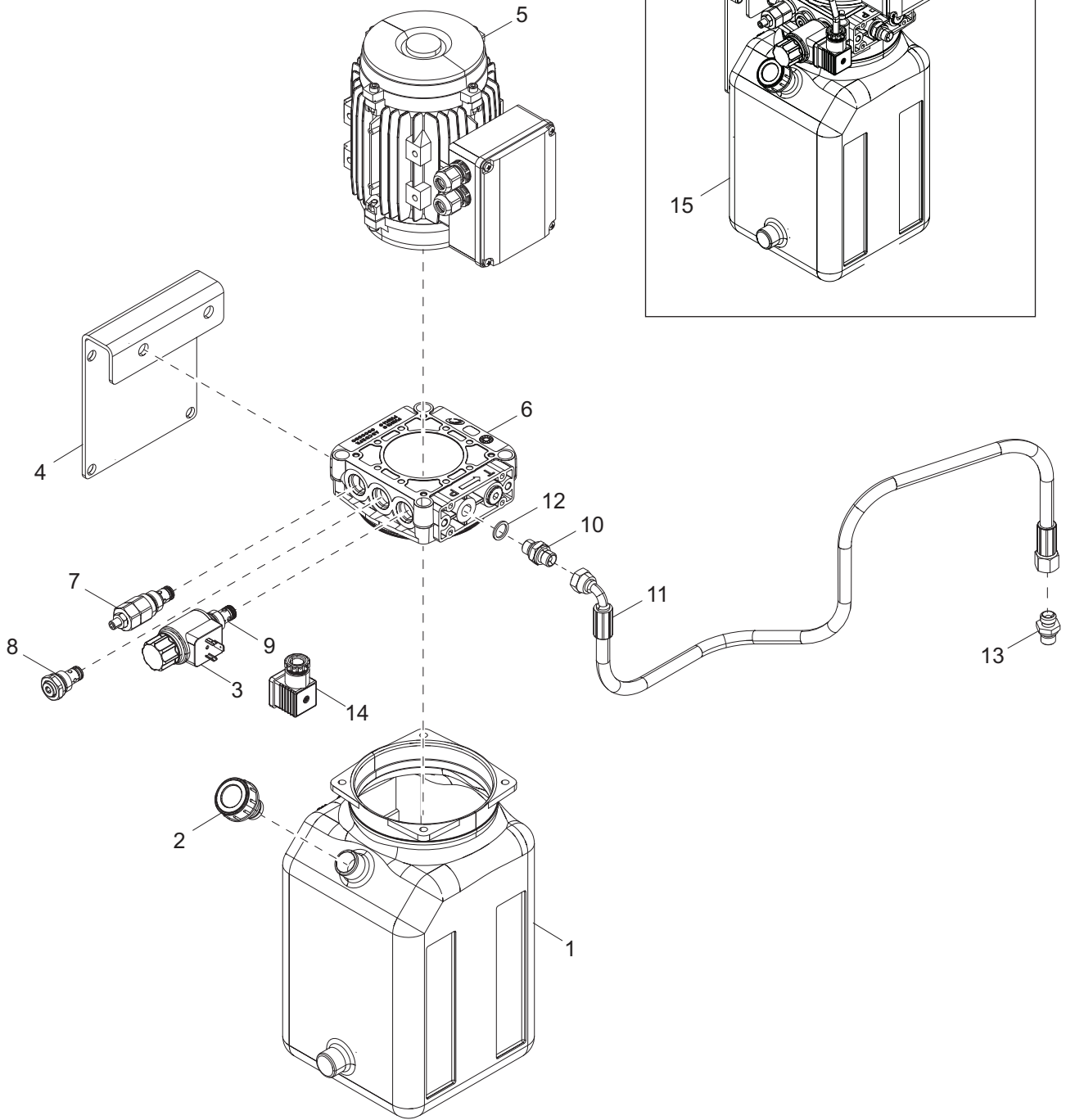


03265

COMMAND PANEL BOX

Item	Part No.	Qty	Description	Notes
1	A0000717255	1	25 x 40 cable duct	
2	A0000717296	1	Front box - black	
3	A0000717298	1	25 x 40 cable duct	
4	A0000717299	1	40 x 40 cable duct	
5	A0000717304	1	Front box support - black	
6	A0000717305	1	Cover - black	
7	A0001079363	1	Plug, snap 25.4	
8	A0000717307	1	10/18P side closure box	
9	A0000717315	1	10P female terminal board	
10	A0000717319	1	10P male terminal board	
11	-	3	Screw, M6 x 12 Phillips head, G4.8	
12	0B2236	3	Nut, M6 nylock, G4.8	
13	56609	1	Plug, knockout 20mm	
14	A0000215625	2	Receptacle, 120V/15A GFCI	
15	A0000717521	2	Cover, 120V/15A GFCI receptacle	
16	-	8	Screw, M4 x 16 Phillips head, G4.8 - tapered	
17	A0000717525	1	Cover, 120/240V 20A 14/20R receptacle	
18	A0000215582	1	Receptacle, 120/240V 20A 14/20P inlet	
19	A0000717528	1	Cover, 120/240V 20A 14/20P inlet receptacle	
20	A0000717530	1	Stop, terminal board	
21	A0001079364	6	Connection, Wago	
22	A0000717559	4	Board, 2.5MM squared Y/G 2 conductor terminal	
23	A0000717549	5	Connection, 2.5MM squared - 2 way white term board	
24	A0000718230	1	Contact, 12V AC/DC 2 NO - 25A	
25	A0000763382	2	Relay, 1CO 16A 12V DC	
26	A0000215588	1	Receptacle, 120V/240V twist lock 20A	
27	A0001079365	2	Connection, Wago	
28	A0001079368	5	Connection, Wago	
29	A0000745227	2	Base, S46 1C relay	
30	A0001079853	1	Transformer, 25V 230/230 50-60Hz	CSA only
31	A0000763417	1	Transformer, 50V 230/230 50-60Hz	
32	60770	1	Screw, M4-0.70 x 12 pan Phillips, G4.8	
33	-	1	Washer, M4 split lock	
34	A0001079369	1	Base, transformer	
35	60044	7	Screw, M5 x 12 pan head Phillips, G4.8	
36	60084	32	Washer, M4 flat	
37	-	32	Nut, M4 x 16 nylock	
38	A0001079371	1	Bracket, transformer	
39	0E6480	11	Nut, M5 hex head	
40	0E9493	15	Washer, M5 flat	
41	A0001079372	1	Charger, battery 12V UL/CSA	CSA only
42	-	14	Screw, M6 x 16 serrated flange hex, G8.8	
43	G089520	10	Screw, M4 x 16 Phillips head, G4.8	
44	A0000745230	1	Rail, DIN	

HYDRAULIC COMPONENTS

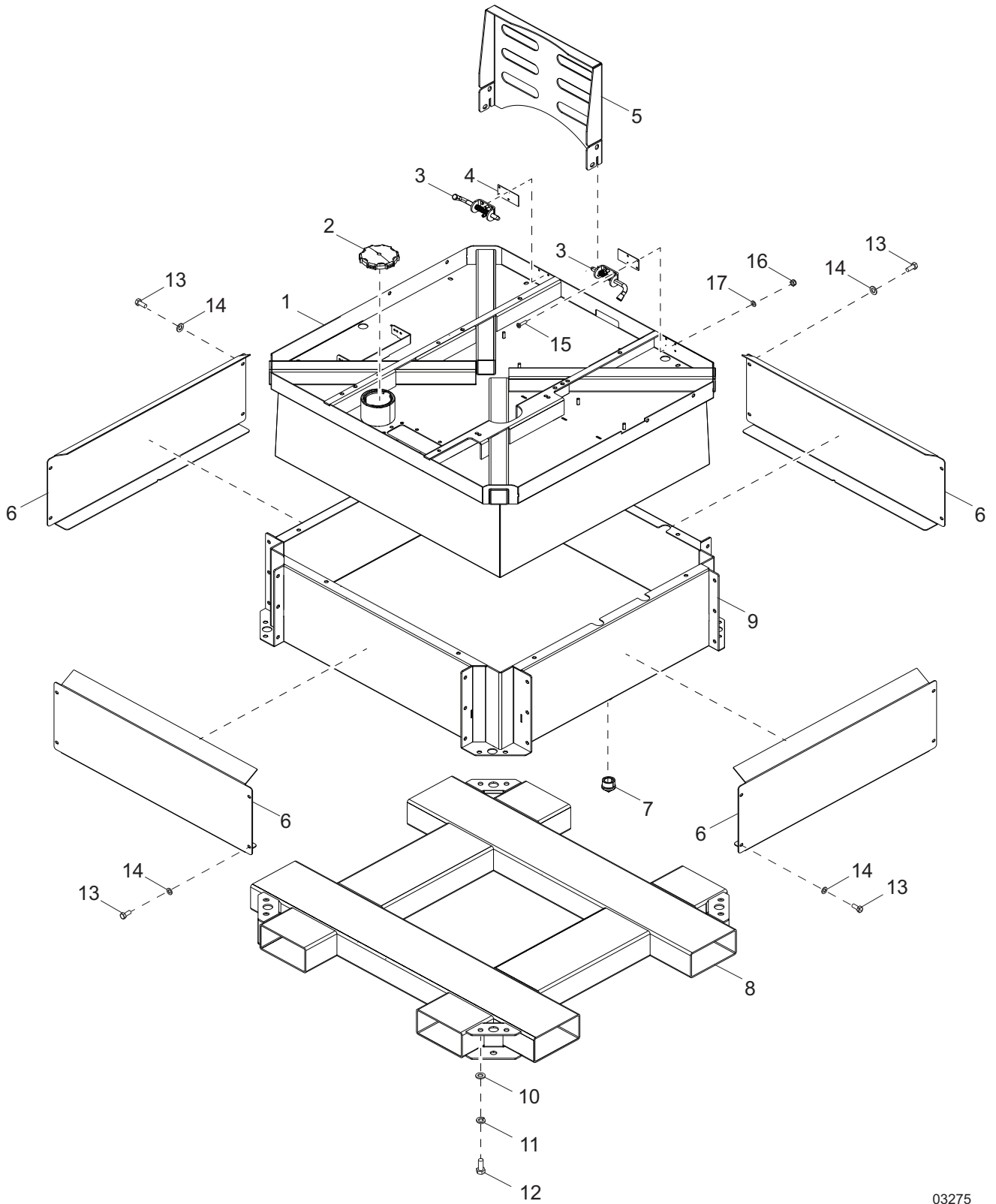


03266

HYDRAULIC COMPONENTS

Item	Part No.	Qty	Description	Notes
1	A0000745235	1	Hydraulic oil tank	
2	A0000300972	1	Cap, hydraulic tank	
3	A0000216077	1	Coil, 220V	
4	A0001659008	1	Bracket, hydraulic pump	
5	A0000745253	1	Motor,0.55kw 4 P 60Hz electrical with capacitor	
6	A0000745244	1	Valve body	
7	A0000768480	1	Valve, maximum pressure	
8	A0000216075	1	Valve, non-return	
9	A0000216076	1	Valve, solenoid	
10	A0000883263	2	Fitting, nipple MNPT.250	
11	A0001079373	1	Assembly, hydraulic line	
12	A0000883248	1	Gasket, .250 - copper 13.5 x 18 x 1.50	
13	A0000883257	1	Fitting, nipple NPT.250	
14	A0000216079	1	Connector, w/cables	
15	A0000216073	1	Assembly, hydraulic gear box 1420RPM 60Hz	items 1-14
--	A0000216273	1	Capacitor, 20 μ F	

FUEL TANK

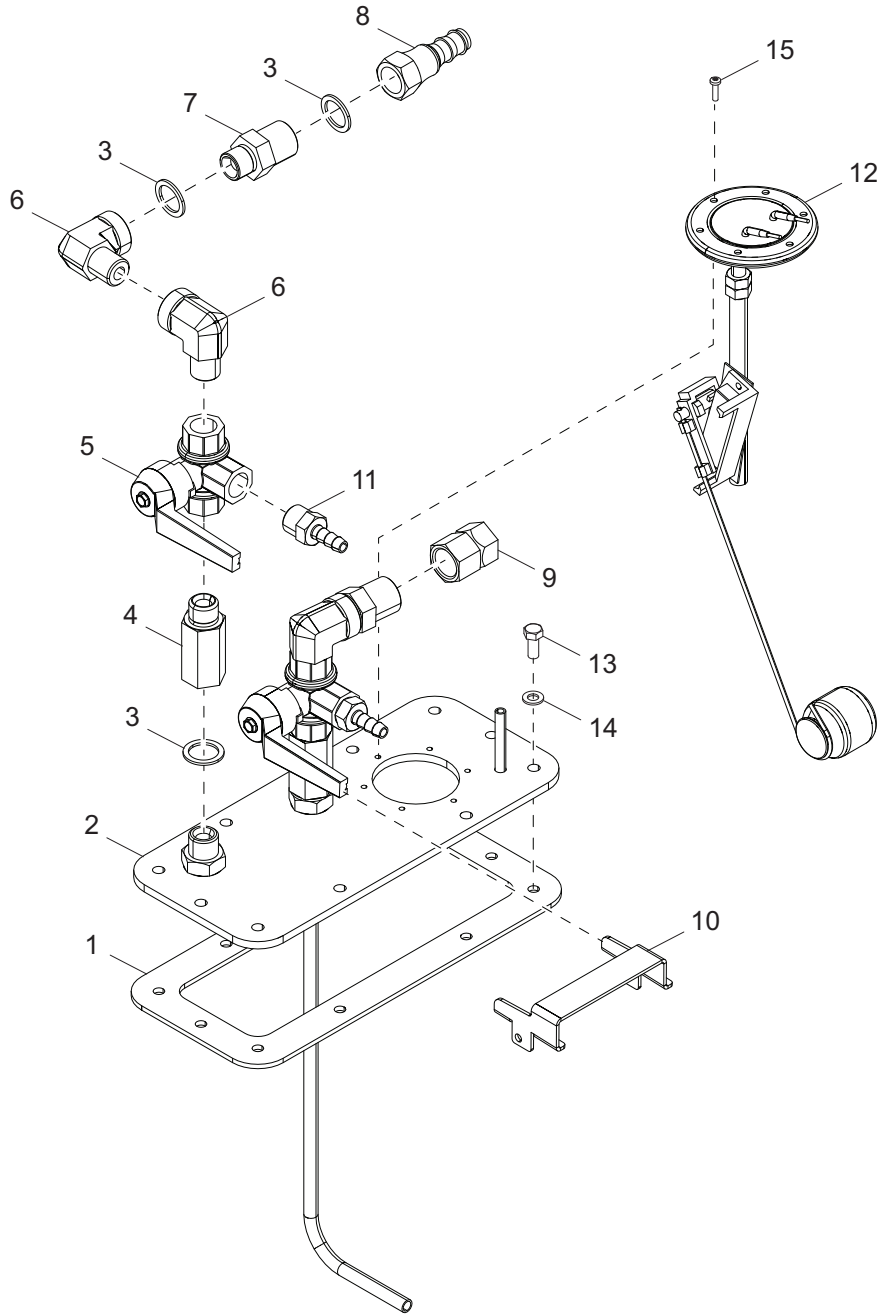


03275

FUEL TANK

Item	Part No.	Qty	Description	Notes
1	A0000745258	1	Fuel tank - black	
2	A0000300973	1	Cap, fuel tank	
3	A0000745280	2	Closing lock pin	
4	A0000745288	1	Plate for platform	
5	A0000300980	1	Platform	
6	A0000745293	4	Lower panel	
7	A0000745300	1	Cap, 1" drain	
8	A0000745305	1	Plate, transfer	
9	A0000745309	1	Bonded tank - black	
10	-	9	Washer, M10 5 x30 x 2.5 flat	
11	G046526	16	Washer, M10 split lock	
12	-	8	Screw, M10 x 30 hex, G8.8	
13	-	20	Screw, M8 x 20 hex, G10.9	
14	G058653	47	Washer, M8 - 8.4 x 14.8 x 2 flat	
15	-	8	Screw, M5 x 16 Phillips head, G4.8	
16	-	8	Nut, M5 x 16 hex,	
17	0E9493	8	Washer, M5 5.3 x 15 x 1.2 flat	

FUEL TANK PLATE



03274

FUEL TANK PLATE

Item	Part No.	Qty	Description	Notes
1	A0000746049	1	Gasket for plate fuel tank	
2	A0000746063	1	Cover, fuel tank - black	
3	A0000746067	6	Gasket, .375" copper	
4	A0000746072	2	Hexagonal extension .375" H=40mm	
5	A0000746264	2	.375 ball valve	
6	A0000746268	3	Fitting, 90° .375"	
7	A0000746278	2	Fitting, .375" nipple	
8	A0000746282	1	Connector, 375 male quick	
9	A0000746287	1	Connector, .375" female quick	
10	A0000746290	1	Handle - white	
11	A0000746291	1	Connector, D.8 .375" hose	
12	A0000300981	1	Fuel sender	
13	G042568	10	Screw, M6-20 hex, G8.8	
14	G049811	10	Washer, M6 4 x 12 x 1.6 flat	
15	G089520	6	Screw, M4 x 16 Phillips head, G4.8	

Item	Part No.	Qty	Description	Notes
1	A0000746295	1	Ballast support - black	
2	A0000746296	1	Base for electric box	
3	A0000746297	1	Connector, 4 poles	
4	A0000746291	1	4 poles panel connector	
5	A0000746496	1	Box, 250 x 195 x 95 - plastic	
6	A0000746497	1	Plate, 10 poles connector	
7	A0000717307	1	Box, 10/18P side closure	
8	A0000717315	1	Board, 10P female terminal	
9	A0000717319	1	Board, 10P male terminal	
10	A0000746501	1	Driver support - black	
11	A0000883271	4	Driver, 320W, 48V	
12	A0000746504	1	Base, mast	
13	A0000746544	1	Support, hydraulic box - black	
14	A0002959677	1	Shock absorber	
15	A0000216313	4	Assembly, top wind jack and outrigger	
16	A0000745258	1	Tank, fuel - black	
17	A0000747931	1	Protector, for battery switch - rubber	
18	A0000747932	1	Support, switch, battery switch - black	
19	A0000215576	1	Switch, 100A battery w/key	
20	A0000747933	1	Battery, 12V 44Ah	
21	A0000747936	1	Battery tie rod	
22	A0000768510	1	Battery bracket - black	
23	A0000747941	1	Battery negative terminal	
24	A0000747941	1	Cover, battery-black	
25	A0000747943	1	Battery positive terminal	
26	A0000747945	1	Cover, battery - red	
--	A0000767112	1	Holder, fuse	
27	-	10	Screw, M6 x 16 serrated flange hex, G8.8	
28	G049814	2	Screw, M10 x 25 hex head, G8.8	
29	302501	2	Washer, M10 10.5 x 20 x 2 flat	
30	391471	2	Nut, M10 nylock	
31	-	4	Screw, M4 x 14 pan head Phillips, G4.8	
32	60084	12	Washer, M4 4.4 x 9 x 0.8 flat	
33	0E6480	8	Nut, M4 nylock	
34	G089520	4	Screw, M4 x 16 pan head Phillips,	
35	-	10	Nut, M8 hex head	
36	60029	44	Washer, M8 8.2 x 14.8 x 2 split lock	
37	G058653	47	Washer, M8 8.4 x 16 x 1 flat	
--	A0000746500	1	10/18P side out terminal	

Heavy-Duty Battery (CSA-SLT-D 6 & 7)

A	65358	1	Battery, 12V 720CCA 9.0" x 7.1" x 6.75"
B	A0001079374	3	Tray, battery

Coolant Heater (CSA-SLT-D 6 & 7)

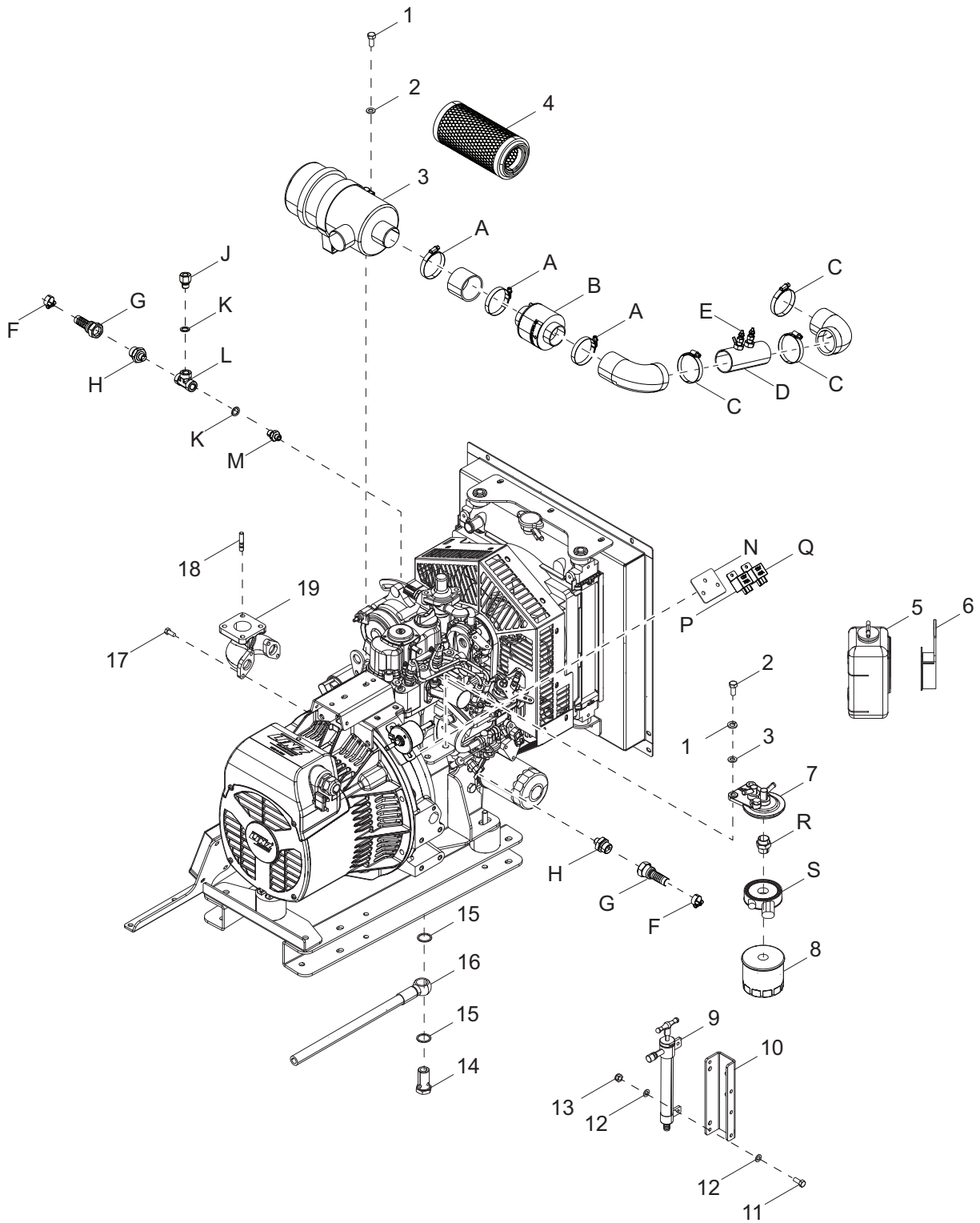
C	A0001079376	1	Heater, coolant
D	A0001079807	1	Bracket, heater assembly
E	G045757	2	Screw, M6 x 25 hex head, G8.8
F	A0001079808	2	Clamp, 12-20

ENGINE/GENERATOR

Item	Part No.	Qty	Description	Notes
1	A0000747952	1	Adapter, air filter support - black	
2	A0000747955	1	Support, air filter - black	
3	A0000748015	1	Pump, fuel, electric	
4	A0000748026	1	Cover, left radiator fan - black	
5	A0000748186	1	Bracket, fan cover - black	
6	A0000748197	1	Cover, radiator fan RH - black	
7	A0000748204	1	Plate, upper radiator support - black	
8	A0000748210	1	Box, radiator support - black	
9	A0000748213	1	Fixture, lower radiator - black	
10	A0000216438	1	Filter, fuel in-line	
11	A0000215548	3	60 x 20 M10 (55sh) shock absorber	
12	A0000748220	2	Support, engine/alternator	
13	A0000748222	1	Support, engine left- black	
14	A0000748223	1	Support, engine right - black	
15	A0000748224	1	Support, alternator - black	
16	A0000748228	1	Support, E.C.U. regulator - black	
17	A0000441265	1	Engine, Z482 G34	
18	A0000216437	1	Filter, air element	
19	A0000491543	1	Filter, oil	
20	13515	1	Element, fuel filter	
21	-	8	Screw, .375-16 x .875 hex, G8.8	
22	302501	22	Washer, .375 10.5 x 20 x 2	
23	-	18	Screw, M6 x 16 serrated flange hex, G8.8	
24	-	12	Washer, M6 8.4 x 24 x 2 flat	
25	60029	13	Washer, M8 split lock	
26	G042909	8	Screw, M8 x 30 hex head, G8.8	
27	A0000861218	1	Cover, radiator fan - bottom	
28	-	2	Screw, M6 x 50 hex head, G8.8	
29	G043107	6	Screw, M8 x 25 hex head, G8.8	
30	A0000756642	2	Clamp, metal 40/60	
31	10000044508	1	Hose, air cleaner	
32	10000021718	1	Assembly, air filter	
33	-	3	Nut, M10 hex head	
34	391471	9	Nut, M10 nylock	
35	G046526	3	Washer, M10 10.2 x 18 x 2.2 flat	
36	-	1	Washer, M10 0.5 x 30 x 2.5 flat	
37	-	6	Screw, M10 x 30 hex head, G8.8	
38	-	2	Washer, 10.4 x 30 x 4 flat	
39	G058653	2	Washer, M6 8.4 x 16 x 1.6	

Note: * When requesting spare parts, please indicate engine code and serial number

ENGINE/GENERATOR 2 - CSA



03268

ENGINE/GENERATOR SUPPORT

Item	Part No.	Qty	Description	Notes
1	G042909	2	Screw, M8 x 30 hex head, G8.8	
2	-	12	Washer, M6 flat	
3	10000021718	1	Assembly, air filter	
4	A0000216437	1	Filter, air element	
5	-	1	Container, overflow	
6	-	1	Bracket, overflow container	
7	10000022110	1	Assembly, fuel filter head and element	
8	13515	1	Element, fuel filter	
9	A0000748379	1	Pump, oil - manual	
10	A0000748302	1	Bracket, oil pump	
11	G042568	2	Screw, M6 x 20 hex head, G8.8	
12	G049811	4	Washer, M6 flat	
13	0B2236	2	Nut, M6 nylock	
14	A0000748346	1	Fitting,	
15	A0000748347	2	Seal, .375 - copper	
16	A0000748350	1	Pipe, oil drain	
17	-	4	Screw, M8 stud, G8.8	
18	A0000756730	1	Adapter, exhaust manifold	hardware included

Note: * When requesting spare parts, please indicate engine code and serial number

Positive Air Shutdown (CSA-SLT-D-7)

A	A0000756642	3	Clamp, metal 40/60
B	A0001079809	1	Assembly, PAS

Intake Air Heater (CSA-SLT-D-1, 6 & 7)

C	A0000756642	3	Clamp, metal 40/60
D	A0000149887	1	Assembly, air intake heater
E	16693SRV	2	Glow Plugs

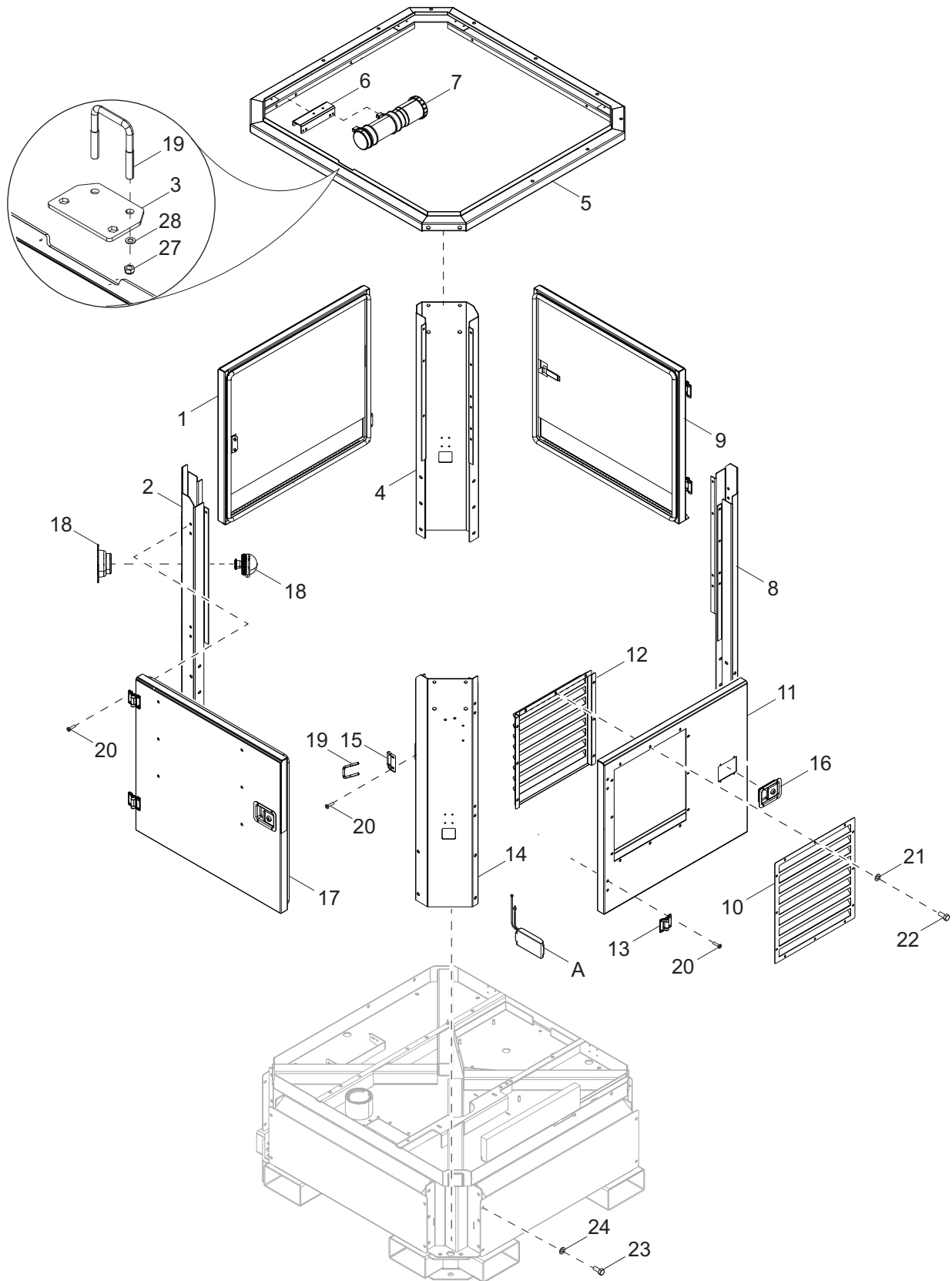
Coolant Heater (CSA-SLT-D-6 & 7)

F	A0001079808	4	Clamp, 12-20
G	A0001079810	2	Fitting, hose
H	A0001079811	2	Fitting, reduced nipple .500 -.250
J	A0001079812	1	Fitting, reduced nipple .250 - M12 x 1.50
K	A0001079814	2	Seal,
L	A0001079816	1	Fitting, tee .250 NPF
M	A0001079818	1	Fitting, reduced nipple.250 - M12 x 1.50

Fuel Filter Heater (CSA-SLT-D-6 & 7)

N	A0001079822	1	Plate, relay mounting
P	A0000215625	1	Relay, 40A
Q	A0000215629	1	Relay, 70A
R	A0001079825	1	Fitting, nipple M20 x 1.50 - brass
S	13682	1	Heating element
--	-	2	Screw, M5 x 20 hex head, G8.8
--	-	2	Nut, M5 hex
--	60038	2	Nut, M5 nylock
--	0E9493	4	Washer, M5 5.3 x 15 x 1.2

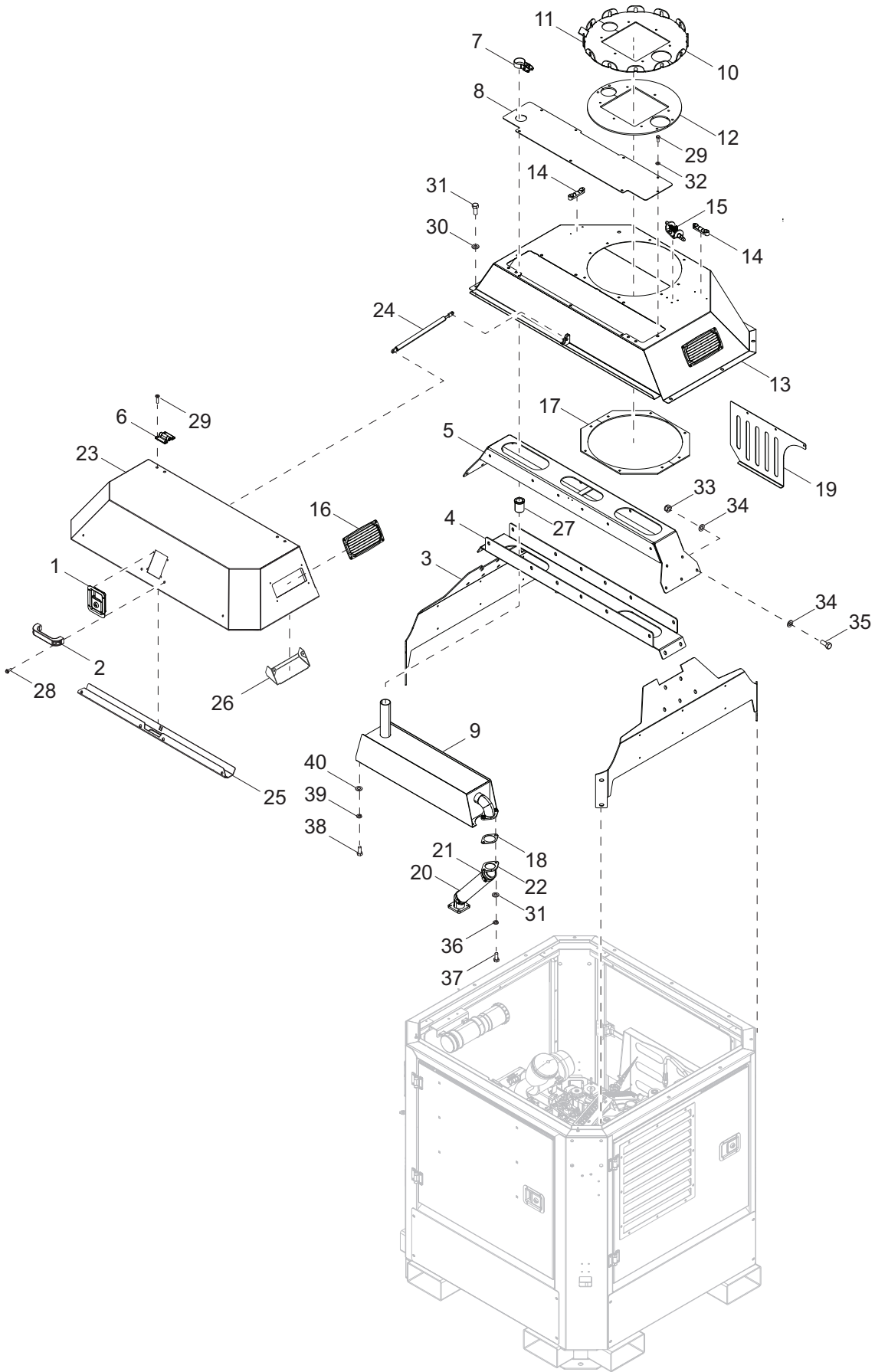
DOORS



03269

Item	Part No.	Qty	Description	Notes
1	A0000748245	1	Door, alternator/mast - white	
2	A0000748252	1	Plate, angular - battery side	
3	A0000748255	1	Bracket, top door hook	
4	A0000748262	1	Panel, angular - box/driver side	
5	A0000748297	1	Frame, upper	
6	A0000748302	1	Support, document box - black	
7	A0000748309	1	Holder, manual	
8	A0000748311	1	Panel, angular hydraulic oil box	
9	A0000748245	1	Door, alternator/mast - white	
10	A0000748314	1	Panel, external air - white	
11	A0000748317	1	Door, engine - white	
12	A0000748320	1	Panel, inside air - white	
13	A0000300982	8	Hinge, black	
14	A0000748338	1	Panel, angular - radiator side	
15	A0000748344	1	Bracket, side door hook	
16	A0000300983	3	Latch - door w/lock	
17	A0000748357	1	Door, front - white	
18	A0000215572	1	Assembly, E-stop	
19	A0000748381	1	Hook, door	
20	0J5086	32	Screw, M6 x 1.0 x 20 button hex - SS	
21	-	12	Washer, M6 flat	
22	0J5086	12	Screw, M6-1.0 x 20 button hex - SS	
23	-	20	Screw, M8 x 20 hex head, G10.9	
24	G058653	20	Washer, M8 flat	
--	A0000748380	1	Terminal, ground	
25	A0000883279	1	Telemetry, module	
--	A0000296546	1	Telemetry, Morey MC 4E	
--	A0000298191	1	Telemetry, antenna	
--	A0000296548	1	Telemetry, harness	
<i>E-Stop Assembly (CSA only)</i>				
--	A0001079828	1	Button, emergency stop	CSA only
--	A0001079831	1	Decal, emergency stop	CSA only

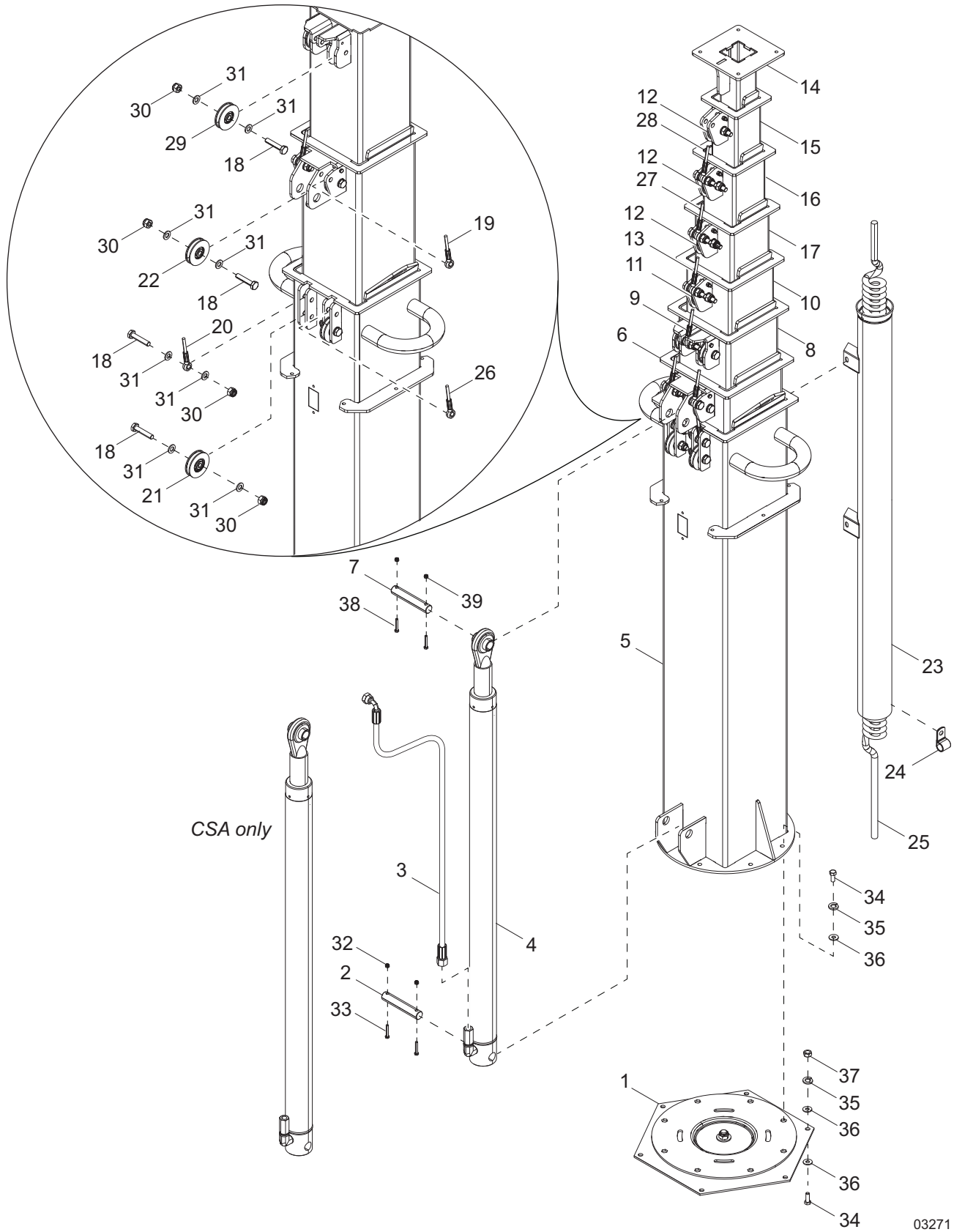
CANOPY



03270

Item	Part No.	Qty	Description	Notes
1	A0000300983	1	Handle with lock	
2	A0000756569	1	Handle	
3	A0000756570	1	Panel, side	
4	A0000756574	1	Frame, lifting	
5	A0000756577	1	Frame, lifting - middle	
6	A0000300982	2	Hinge, black	
7	A0000756580	1	Cap, muffler - black	
8	A0000767109	1	Cover muffler	
9	A0000756582	1	Muffler	
10	A0000756596	1	Flange, mast guide	
11	A0000756598	1	Flange, mast guide w/ blocking	
12	A0000756602	1	Flange, mast guide	
13	A0000756605	1	Cover, top	
14	A0000216115	2	Level, spirit	
15	A0000216289	1	Pin, lock closing	
16	A0000756608	1	Grid, 200 x 100 plastic - black	
--	A0000756612	1	Grid, 200 x 100 plastic - white	
17	A0000756618	1	Flange, mast guide - black	
18	A0000756625	1	Gasket, oval	
19	A0000756627	1	Guard, muffler	
20	A0000756641	1	Insulation, pipe	
21	A0000756642	1	Clamp, 40-60	
22	A0000756659	1	Pipe, exhaust extension	
23	A0000756663	1	Door, top - white	
24	A0000215392	1	Shock absorber	
25	A0000756727	1	Plate, door	
26	A0000756728	1	Plate, inside grid - black	
27	A0000756731	1	Pipe, exhaust	
28	-	2	Screw, M8 x 35 pan head Phillips, G8.8	
29	0J5086	18	Screw, M6 x 20 flat head Phillips, G10.9	
30	-	15	Washer, M8 flat	
31	-	9	Screw, M8 x 25 hex head, G10.9	
32	G049811	21	Washer, M6 flat	
33	391471	22	Nut, M10 nylock	
34	302501	44	Washer, M10 flat	
35	-	18	Screw, M10 x 25 button head hex	
36	60029	6	Washer, M8 split lock	
37	-	2	Screw, M8 x 30 recessed hex, G8.8	
38	-	4	Screw, M6 x 25 hex head, G8.8	
39	-	4	Washer, M6 split lock	
40	-	4	Washer, M6 flat	

MAST ASSEMBLY

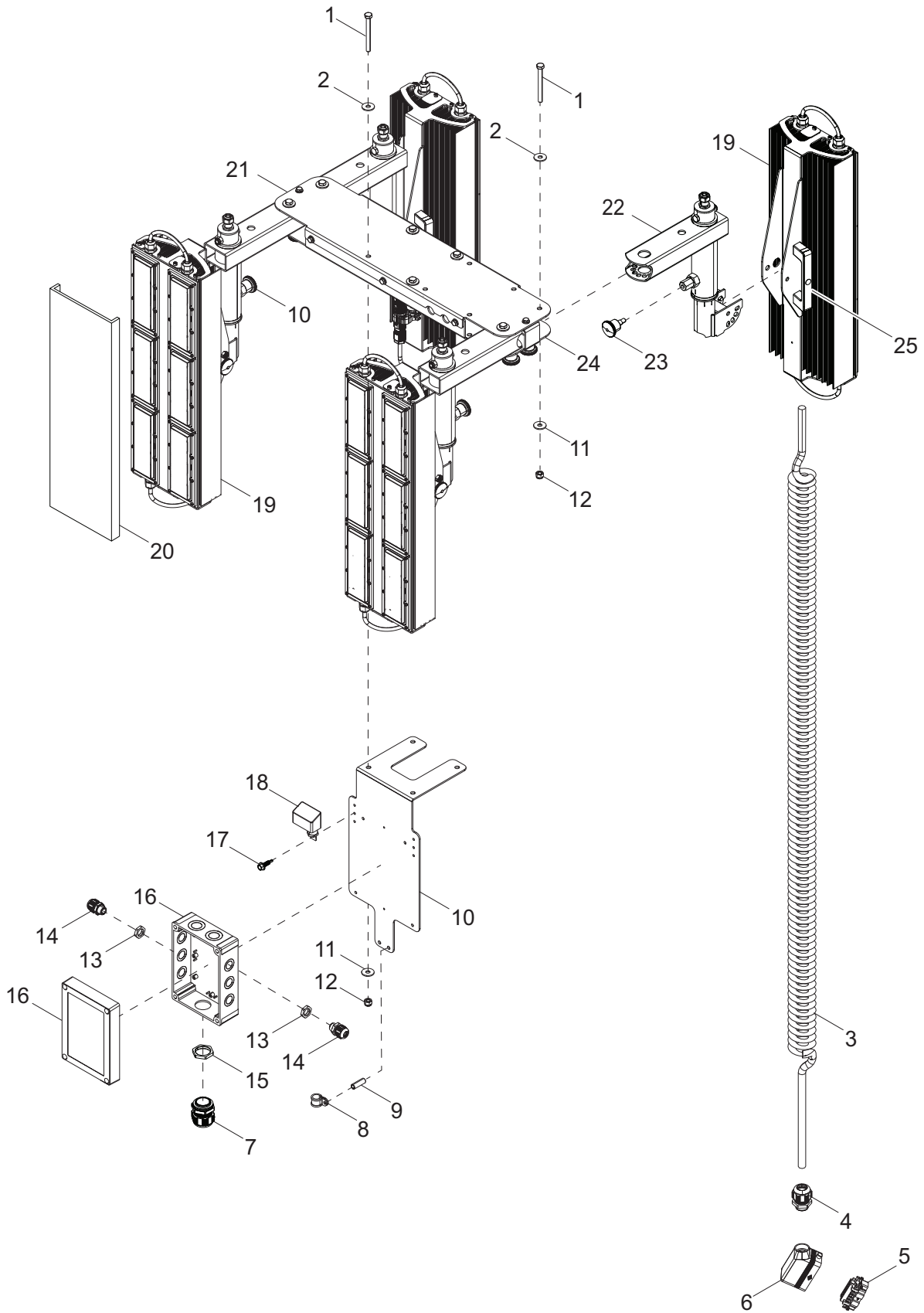


MAST ASSEMBLY

Item	Part No.	Qty	Description	Notes
1	A0000756734	1	Assembly, thrust bearing	items 32-38
2	A0000756738	1	Cylinder, hydraulic - lower pin	
3	A0000216324	1	Assembly, tube hydraulic cylinder	
4	A0000300985	1	Cylinder, hydraulic	
--	A0001944386	1	Cylinder, hydraulic - CSA	CSA 6 & 7
5	A0000756752	1	Mast, 1° section	
--	A0000767106	1	Mast, 1° section - black	
6	A0000768517	1	Mast, 2° section	
7	A0000768506	1	Cylinder, hydraulic - top pin	
8	A0000768518	1	Mast, 3° section	
9	A0000216365	1	Cable, steel - 1400	
10	A0000769040	1	Mast, 4° section	
11	A0000300988	1	Sheave	
12	A0000300988	1	Sheave	
13	A0000216366	1	Cable, steel - 1415	
14	A0000769056	1	Mast, 8° section	
15	A0000769054	1	Mast, 7° section	
16	A0000769047	1	Mast, 6° section	
17	A0000769042	1	Mast, 5° section	
18	G057645	1	Screw, M10 x 50 hex head	
19	A0000216362	1	Cable, steel - 1385	
20	A0000216360	1	Cable, steel - 1460	
21	A0000300988	1	Sheave	
22	A0000300988	1	Sheave	
23	A0000762101	1	Tube, cable guide	
24	A0000764094	1	Clamp, 15/15	
25	A0000300803	1	Cord, coil	
--	A0000930253	1	Cord, coil	CSA only
26	A0000216359	1	Cable, steel - 1440	
27	A0000216367	1	Cable, steel - 1430	
28	A0000216368	1	Cable, steel - 1455	
29	A0000300988	1	Sheave	
30	391471	21	Nut, M10 nylock	
31	302501	58	Washer, M10 flat	
32	-	4	Nut, M5 nylock	
33	-	4	Screw, M5 x 30 hex head, G8.8	
34	G043107	14	Screw, M8 x 25 hex head, G8.8	
35	G046525	20	Washer, M8 flat	
36	60029	14	Washer, M8 split lock	
37	-	14	Nut, M8 hex head, G8.8	

Note: (1) Specify the diameter

FLOODLIGHTS GROUP

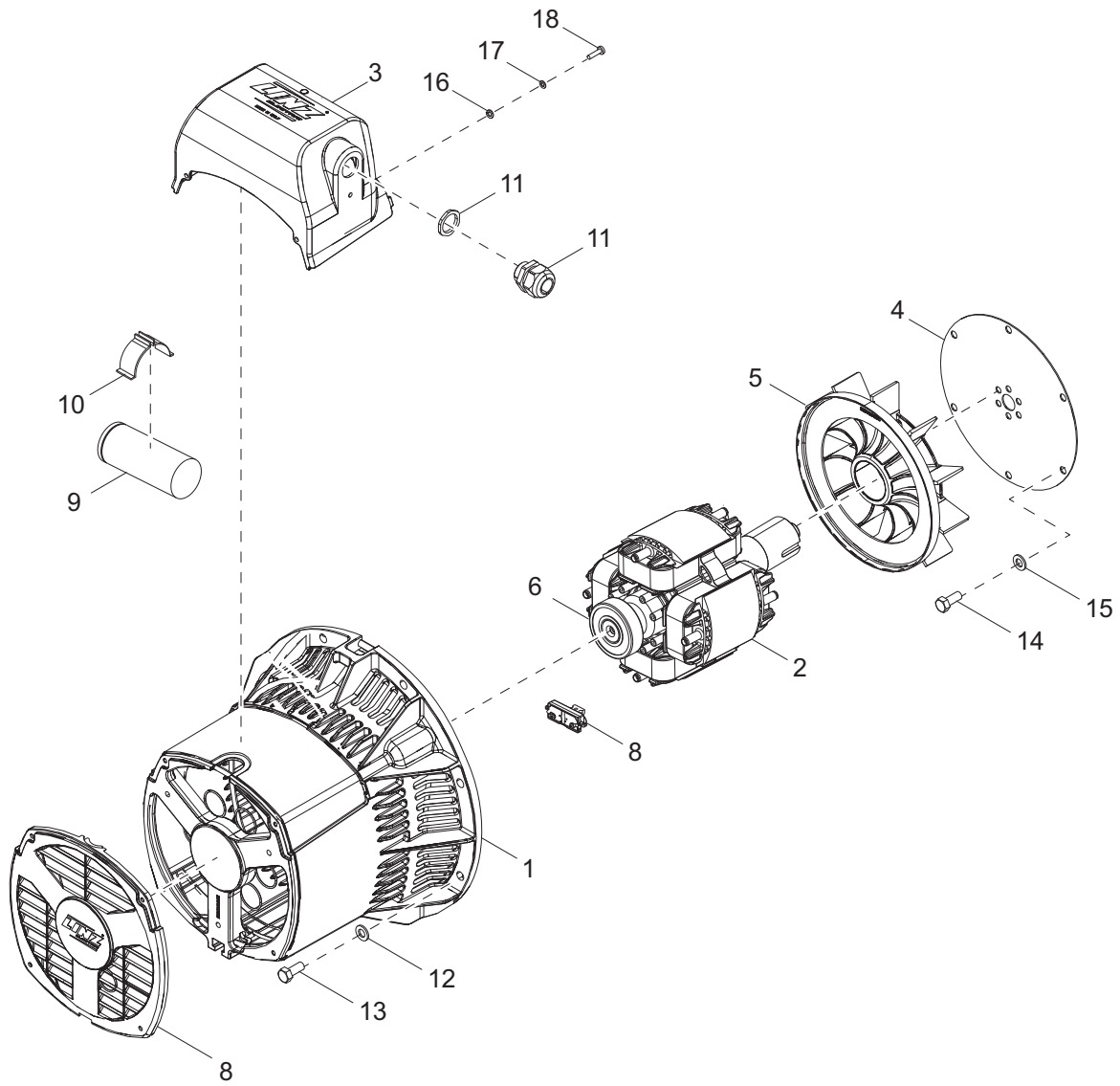


03272

FLOODLIGHTS GROUP

Item	Part No.	Qty	Description	Notes
1	G043116	8	Screw, M6-1.0 x 12 hex, G8.8	
2	-	8	Washer, M8 flat	
3	A0000300803	1	Cord, coil	
--	A0000930253	1	Cord, coil	CSA only
4	A0000763410	1	Holder, M25 x 1.5 wire	
5	A0000763360	1	Box, side out terminal - 10/18P	
6	A0000763356	1	Board, 10P male terminal	
7	A0001079866	1	Holder, M25 x 1.50	
8	A0000764094	2	Clamp, 15/15 RSGU1	
9	A0000768513	1	Spacer	
10	A0000768470	1	Support, junction box	
11	-	8	Washer, M6 flat	
12	-	8	Nut, M6-1.00 hex nylock	
13	A0001079862	5	Washer, M16	
14	A0001079861	5	Holder, M16 x 1.50 wire holder	
15	A0001079865	1	Washer, M25	
16	A0000300991	1	Box, junction	
17	60091	2	Screw, M4 x 12 pan head Phillips, G4.8	
18	A0000216084	1	Sensor, light	
19	A0000216395	4	Assembly, fixture LED - 320W	
--	A0001655712	4	Assembly, fixture LED - 320W	CSA 5, 6 & 7 only
20	A0000773884	4	Cover, diffused light - LED part of kit # A0000773886	if equipped
--	A0000773885	4	Cover, diffused light - LED part of kit # A0000773887	if equip.(CSA only)
21	A0000768463	1	Plate, upper	
22	A0000768454	4	Arm, rotation	
23	A0000767157	8	Pin, floodlight rotation	
24	A0000768459	1	Plate, lower	
25	A0000216433	4	Handle	

GENERATOR

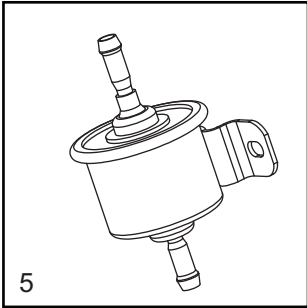
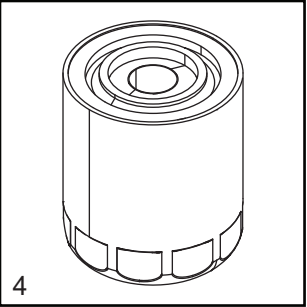
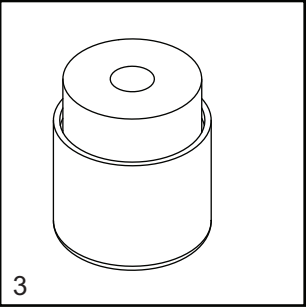
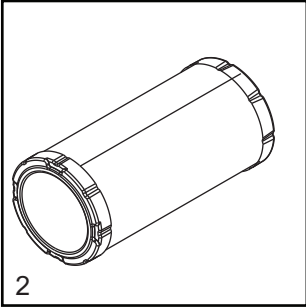
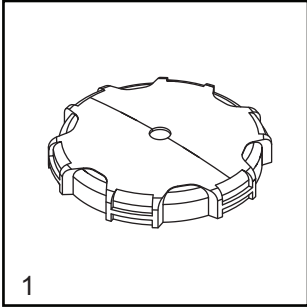


03430

GENERATOR

Item	Part No.	Qty	Description	Notes
--	A0000216434	1	Generator, 60Hz 4.2kVA	Items 1-18
1	*	1	Frame with stator	
2	*	1	Inductor, B2 rotating	
3	A0000766710	1	Cover CSA top	
4	A0000766720	1	Cover, CSA rear	
5	A0000766762	1	Fan	
6	A0000766772	1	Bearing, rear	
7	A0000766785	1	Diode, wired	
8	A0000766786	1	Board, 2 stud terminal	
9	A0000765852	1	Capacitor, 25 μ F, 550V	
10	A0000766790	1	Clamp capacitor \varnothing 40-45	
--	A0000767035	1	SAE discs 6.50	
11	A0000767037	1	Press, cable	
12	60386	8	Washer, .375 flat	
13	G052212	8	Screw, M10 x 25 x 1.25 hex head, G8.8	
14	G039253	6	Screw, M8 x 20 hex head, G8.8	
15	302501	6	Washer, M8 flat	
16	G049811	4	Washer, M6	
17	-	4	Washer, M6 split lock	
18	G043116	4	Screw, M6 x 1.0 x 12 hex head, G8.8	

RECOMMENDED SPARE PARTS - ENGINE

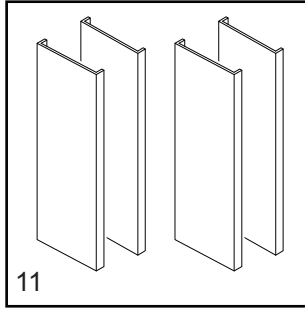
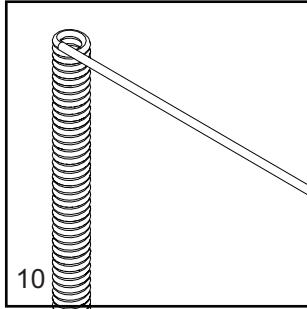
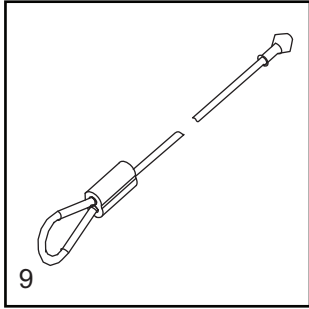
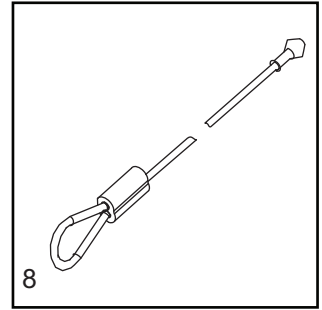
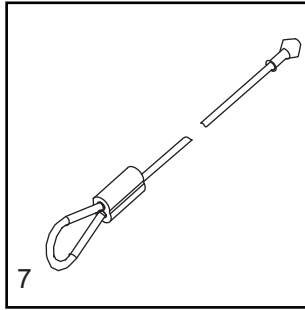
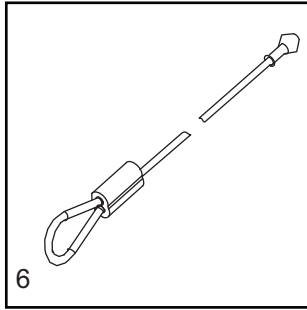
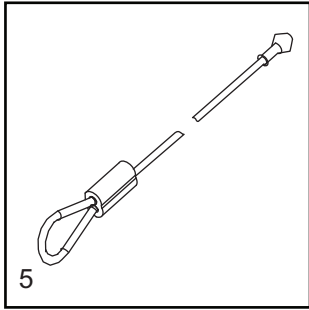
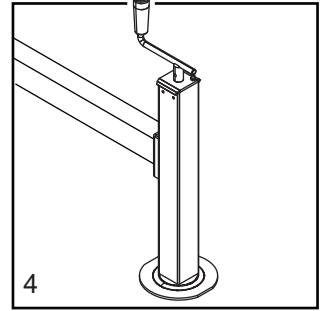
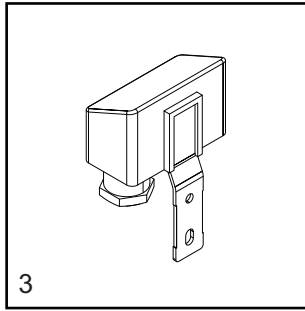
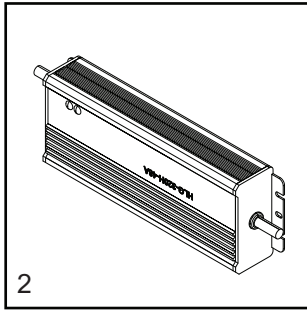
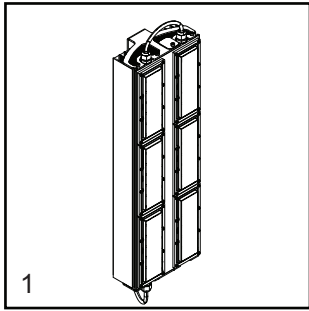


RECOMMENDED SPARE PARTS - ENGINE

ENGINE

- | | |
|-------------------------------|-------------|
| 1. Cap, fuel tank | A0000300973 |
| 2. Filter, air (element)..... | A0000216437 |
| 3. Filter, fuel, | 13515 |
| 4. Filter, oil, | A0000491543 |
| 5. Pump, fuel | A0000748015 |

RECOMMENDED SPARE PARTS - MISC



RECOMMENDED SPARE PARTS - MISC

1. Assembly, LED light	A0000216395
Assembly, LED light (CSA only).....	A0001820158
2. Assembly, driver with connector	A0000215557
3. Sensor, daylight	A0000216084
4. Jack, top wind, 1200 lb w/outrigger	A0000216313
5. Cable, steel 1385.....	A0000216362
6. Cable, steel 1460.....	A0000216360
7. Cable, steel 1440.....	A0000216359
8. Cable, steel 1430.....	A0000216367
9. Cable, steel 1455.....	A0000216368
10. Coil cord	A0000300803
Coil cord (CSA only)	A0000930253
11. Diffused light kit	A0000773886
Diffused light kit (CSA only)	A0000773887

This Page Intentionally Left Blank

Part No. A0000214145 Rev. E 07/21/2022

©2022 Generac Power Systems, Inc.
All rights reserved.

Specifications are subject to change without notice.
No reproduction allowed in any form without prior written consent
from Generac Power Systems, Inc.



Generac Power Systems, Inc.
S45 W29290 Hwy. 59, Waukesha WI 53189

GeneracMobileProducts.com | 844-ASK-GNRC | 844-275-4672