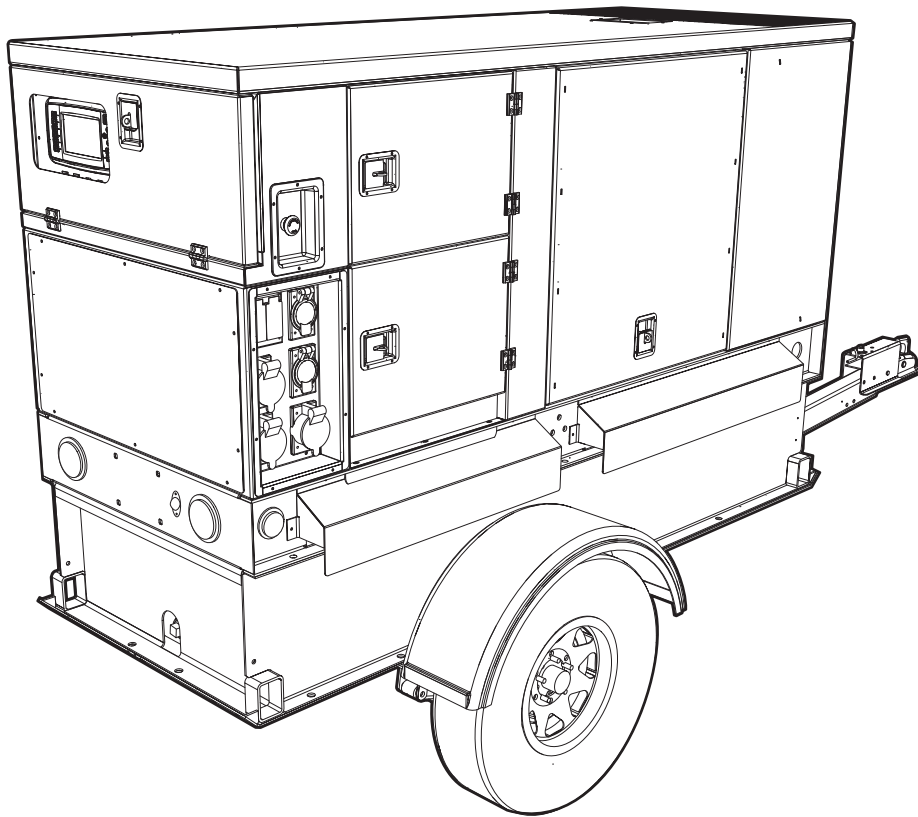


# **MMG45IF4-STD3**

## *Diesel Generator Parts Manual*



02655

**MODEL NUMBER:** \_\_\_\_\_

**SERIAL NUMBER:** \_\_\_\_\_

**DATE PURCHASED:** \_\_\_\_\_

***SAVE THIS MANUAL FOR FUTURE REFERENCE***

 **WARNING**

Breathing diesel engine exhaust exposes you to chemicals known to the State of California to cause cancer and birth defects or other reproductive harm.

- Always start and operate the engine in a well-ventilated area.
- If in an enclosed area, vent the exhaust to the outside.
- Do not modify or tamper with the exhaust system.
- Do not idle the engine except as necessary.

For more information go to

[www.P65Warnings.ca.gov/diesel](http://www.P65Warnings.ca.gov/diesel). (000394)

# Introduction

This parts manual was prepared based on the information available at the time of publication and is subject to change without notice. Generac Mobile reserves the right to change parts at any time. To check whether a revised parts manual is available, contact Generac Mobile.

DO NOT MODIFY or use this equipment for any application other than which it was designed for. To keep your equipment fully operational, it is suggested you maintain a stock of commonly used maintenance or service parts. A recommended spare parts list can be found in the back of this manual. To order service parts, please go to [www.generacmobileproducts.com](http://www.generacmobileproducts.com) or call Generac Mobile.



## **WARNING**

Consult Manual. Read and understand manual completely before using product. Failure to completely understand manual and product could result in death or serious injury. (000100a)

---

## **WARNING**

Environmental Hazard. Always recycle batteries at an official recycling center in accordance with all local laws and regulations. Failure to do so could result in environmental damage, death, or serious injury. (000228)

---

## **GENERAC MOBILE PRODUCTS LLC**

**215 Power Drive • Berlin, WI 54923 U.S.A.**

**Phone: 920-361-4442**

**FAX: 920-361-4416**

**Toll Free: 1-800-926-9768**

**[www.generacmobileproducts.com](http://www.generacmobileproducts.com)**

**For technical or parts QUESTIONS, contact Generac Mobile Technical Service at 1-800-926-9768.**

Engine Make: \_\_\_\_\_

Engine Serial Number: \_\_\_\_\_

Engine Model Number: \_\_\_\_\_

This Page Intentionally Left Blank

# Table of Contents

Introduction .....	iii
General Information .....	1
Unit Decals - Exterior .....	2
Unit Decals - Left Side Interior .....	4
Unit Decals - Right Side Interior .....	6
Unit Decals - Electrical Boxes .....	8
Enclosure Panels .....	10
Doors, Roof, and Front Enclosure To Unit .....	12
Left Side Door Assembly .....	14
Right Side Door Assembly .....	16
Electrical Boxes To Unit .....	18
Front Enclosure Assembly .....	20
AC Box Assembly (1 of 2) .....	22
AC Box Assembly (2 of 2) .....	24
Lug Box Assembly .....	26
Bottom Rear Box Assembly .....	28
Receptacle Panel Assembly .....	30
Control Box Assembly .....	32
Control Panel Assembly .....	34
Control Door Assembly .....	36
Lift Structure To Skid Assembly .....	38
Cooling System Assembly .....	40
Cooling System Hoses .....	42
Engine and Generator To Skid Assembly .....	44
Engine Assembly .....	46
Generator Assembly .....	48
Skid Assembly .....	50
Fuel Tank Assembly .....	52
Trailer Assembly - Single Axle .....	54
Trailer Assembly - Tandem Axle .....	56
Trailer Brake Lines - Single Axle .....	58
Trailer Brake Lines - Tandem Axle .....	60
Trailer Hitch Options .....	62
Recommended Spare Parts - Engine and Service Kits .....	64
Recommended Spare Parts - Electrical and Trailer .....	66

This Page Intentionally Left Blank

# General Information

Products supplied may vary from the illustrations in this parts manual. Parts not shown in the illustration are indicated by a double dash (--) in the item column.

When ordering replacement parts, be prepared to provide the model number, serial number, part number, purchase order number (if required), customer ID, shipping address and desired shipping method.

*Illustrated below are the unit identification tag and the VIN tag. These tags contain the model number, serial number, vehicle identification number (VIN) and tire loading information.*

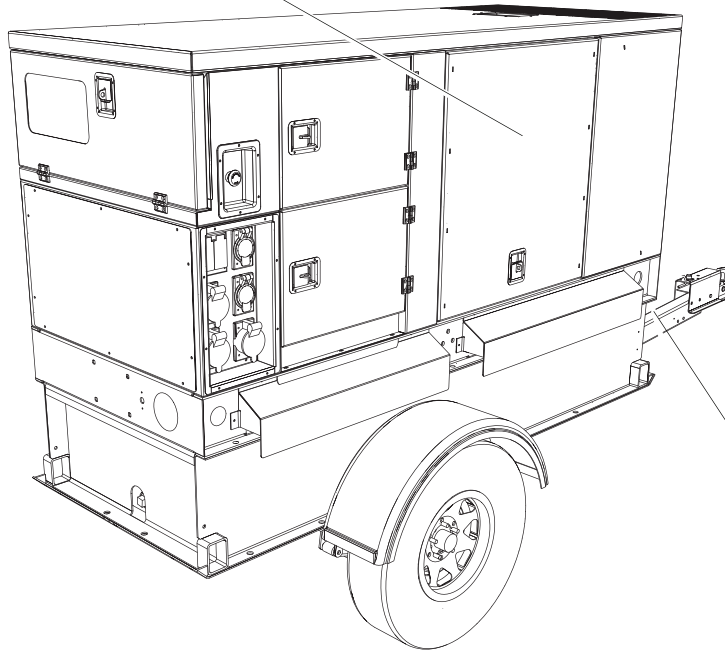
## UNIT ID Tag

Manufactured by Generac Mobile Products, LLC.,  
a subsidiary of Generac Power Systems, Inc.  
(920) 301-4442 (920) 520-9788

Country of Origin	Model	Serial Number
Manufacturing Code	Weight (lb/kg)	RPM/Frequency
1 ph. 1.0PF	3 ph. 8PF	3 ph. 1.0PF
KW		Rating
KVA		Ins. Class
V		
A		

INTERNATIONAL  
UNIT IDENTIFICATION  
TAG (920) 520-9788  
Form: UIC028

*Located behind breaker door underneath breakers*



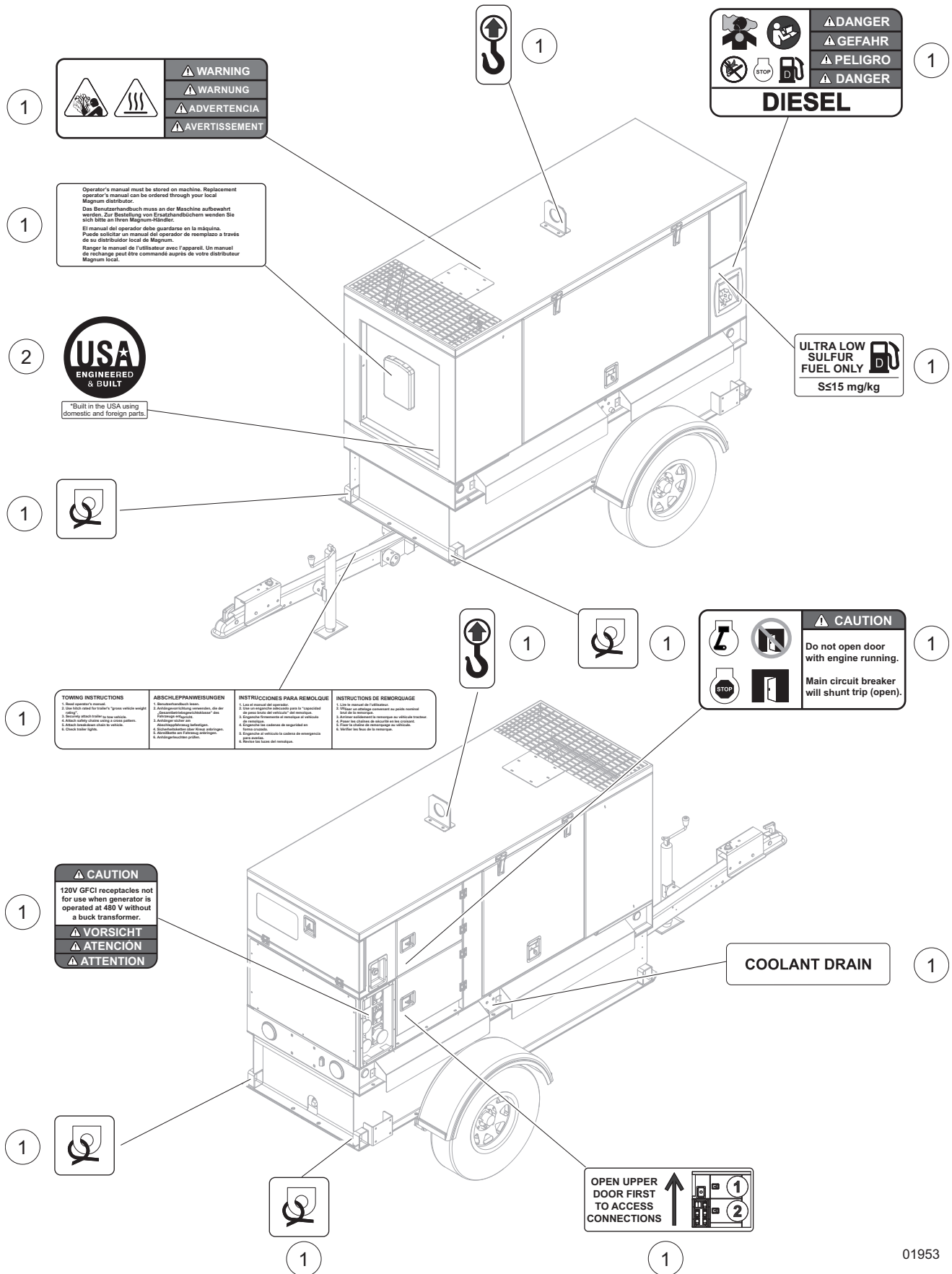
## VIN Tag

MANUFACTURED BY/FABRIQUE PAR: Generac Mobile Products LLC		DATE: 00/0000	<b>TIRE AND LOADING INFORMATION</b> RENSEIGNEMENTS SUR LES PNEUS ET LE CHARGEMENT The weight of cargo should never exceed 0000KG (0000LBS). Le poids du chargement ne doit jamais dépasser 0000KG (0000LBS).
GVWR/PNEV: 000KG (0000LBS)	COLD INF. PRESS / PRESS. CDE		
GAWR / PNEB	TIRE / PNEU	RM / JANTE	SEE OWNER'S MANUAL FOR ADDITIONAL INFORMATION VOIR LE MANUEL DE L'USAGER POUR PLUS DE RENSEIGNEMENTS
EACH AXLE			
<small>THIS GENERAL OPERATING RULE APPLIES TO ALL GENERAC PRODUCTS UNDER THE U.S. FEDERAL MOTOR VEHICLE SAFETY (FMVSS) REGULATIONS AND CANADIAN MOTOR VEHICLE SAFETY REGULATIONS IN EFFECT ON THE DATE OF MANUFACTURE.</small> <small>LES RÈGLES GÉNÉRALES D'EXPLOITATION S'APPLIQUENT À TOUS LES PRODUITS GÉNÉRAC EN VIGUEUR EN VERTU DES RÈGLES FÉDÉRALES CANADIENNES DE SÉCURITÉ DES VÉHICULES ET DES RÈGLES FÉDÉRALES AMÉRICAINES DE SÉCURITÉ DES VÉHICULES EN VIGUEUR À LA DATE DE FABRICATION.</small>		MODEL: XXX000	
VIN: N61V. 000000000000000000		TYPE: TRAILER	

*Located on opposite side of trailer*

01028

# UNIT DECALS - EXTERIOR



01953

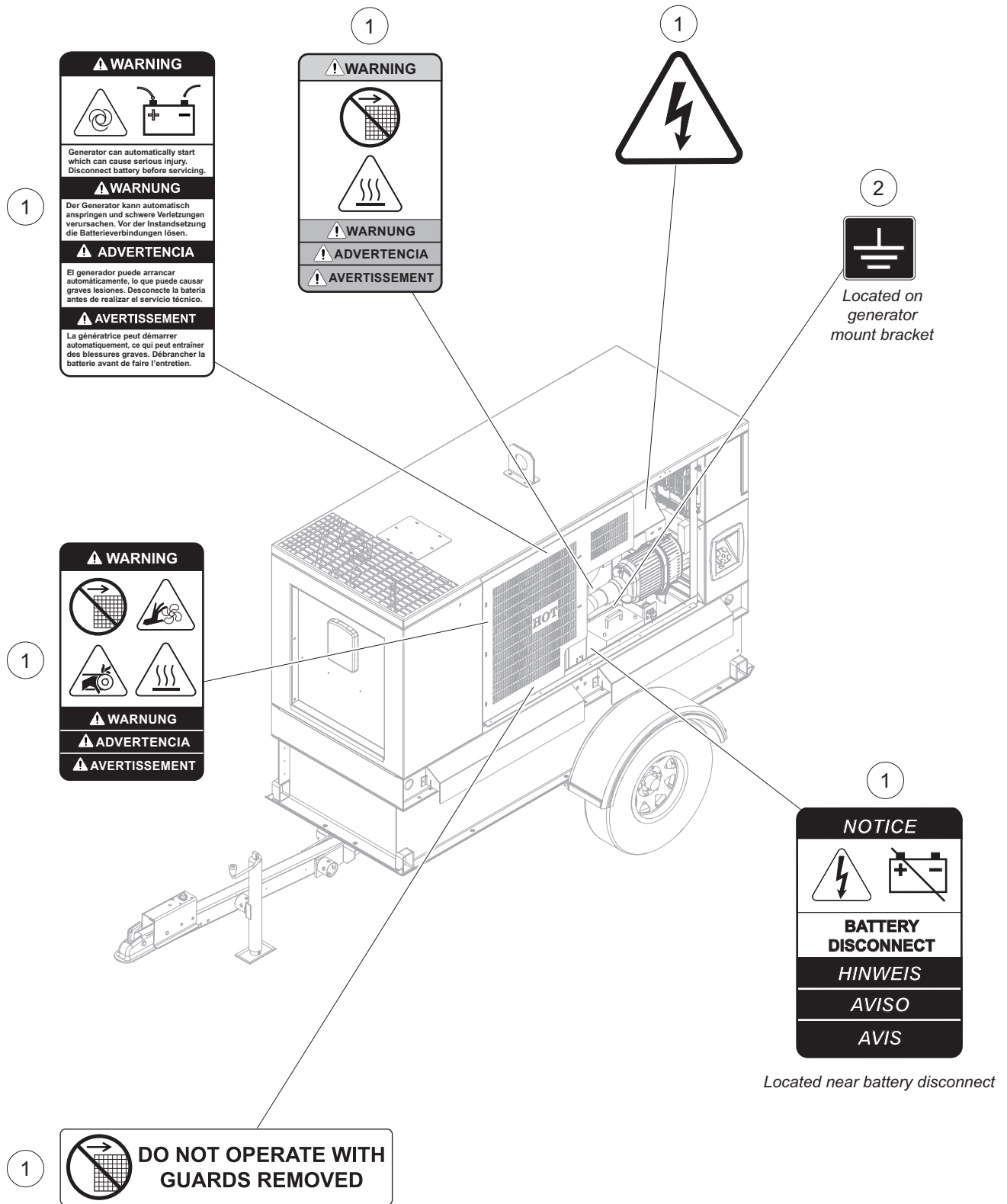


## UNIT DECALS - EXTERIOR

---

<b>Item</b>	<b>Part No.</b>	<b>Qty</b>	<b>Description</b>	<b>Notes</b>
1	A0001584151	1	DECAL, SAFETY - SMALL F4	
2	50909	1	DECAL, USA ENGINEERED & BUILT	

# UNIT DECALS - LEFT SIDE INTERIOR



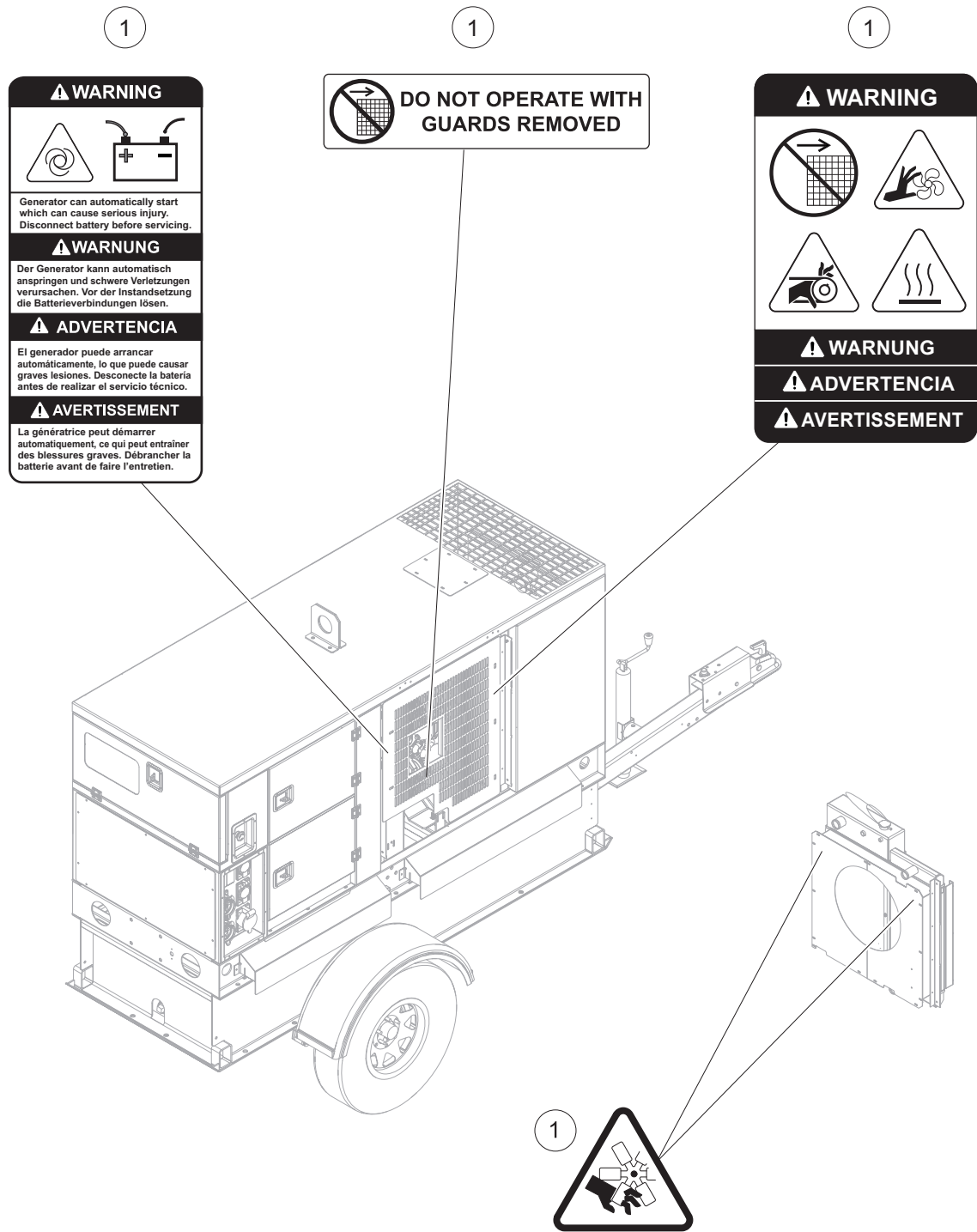
02656

## UNIT DECALS - LEFT SIDE INTERIOR

---

Item	Part No.	Qty	Description	Notes
1	37695	1	DECAL, SAFETY - SMALL F4	
2	12142	1	DECAL, GROUND	

# UNIT DECALS - RIGHT SIDE INTERIOR



Located on both sides of fan shroud

01955

## UNIT DECALS - RIGHT SIDE INTERIOR

---

Item	Part No.	Qty	Description	Notes
1	37695	1	DECAL, SAFETY - SMALL F4	

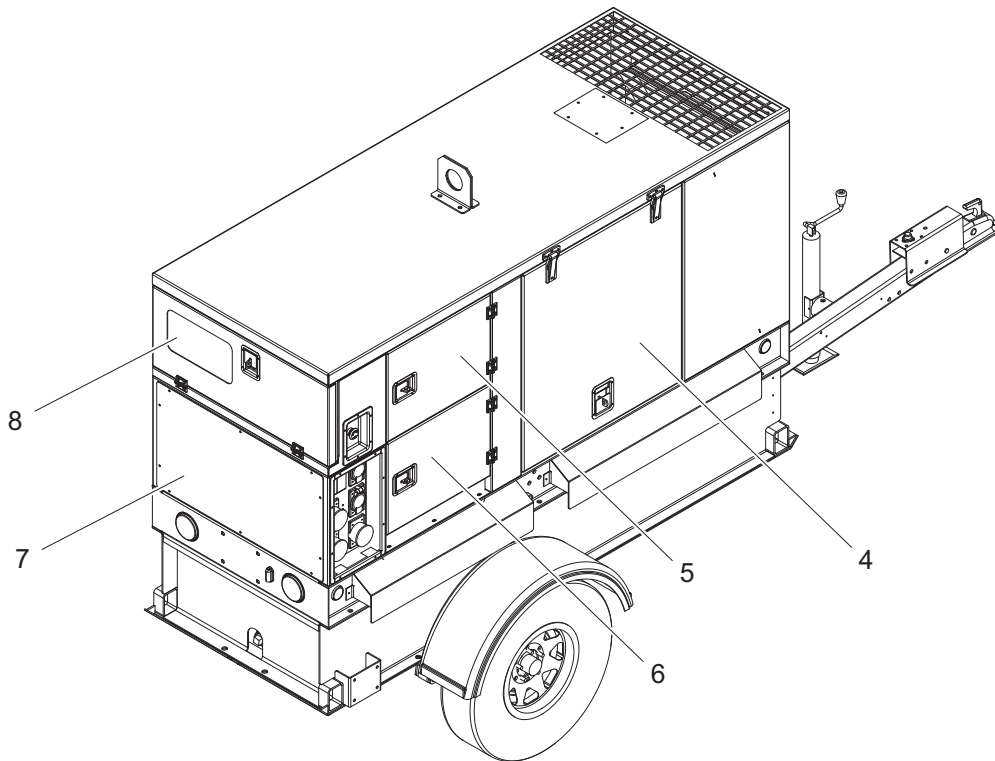
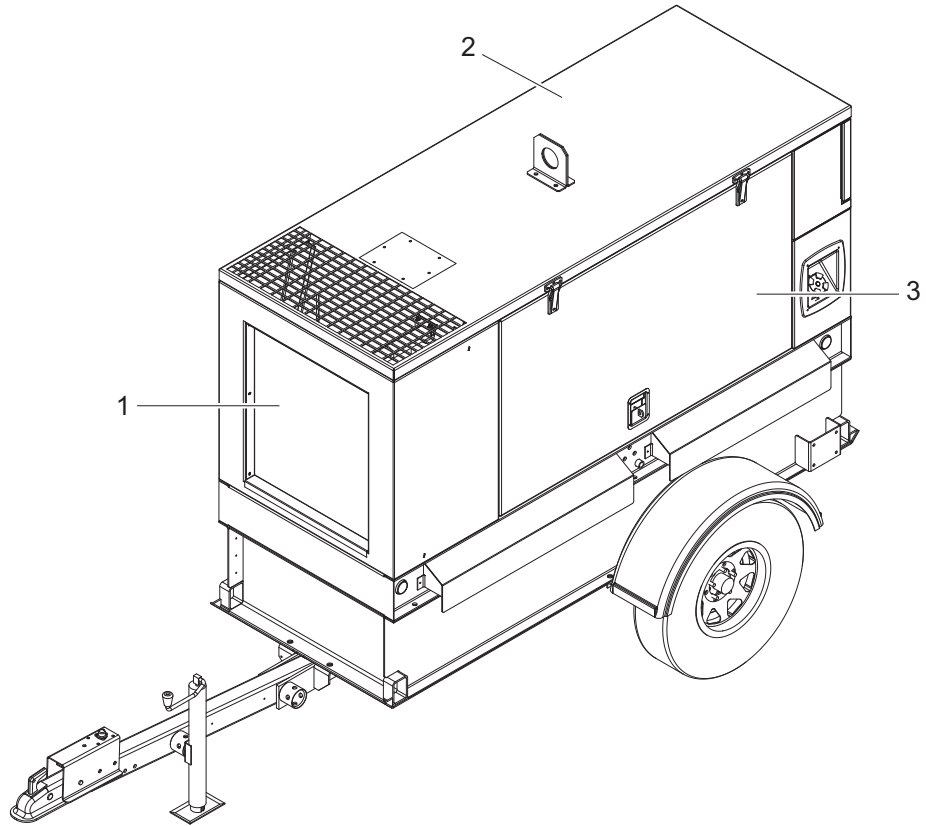


## UNIT DECALS - ELECTRICAL BOXES

---

Item	Part No.	Qty	Description	Notes
1	52972	1	DECAL, SAFETY - SMALL F4 CONTROL 5-POSITION	
2	37695	1	DECAL, SAFETY - SMALL F4	
3	12142	1	DECAL, GROUND	
4	37820	1	DECAL, BREAKER - SMALL F4	
5	A0000639819	1	DECAL, CONTROLLER OPERATION	

# ENCLOSURE PANELS



01085

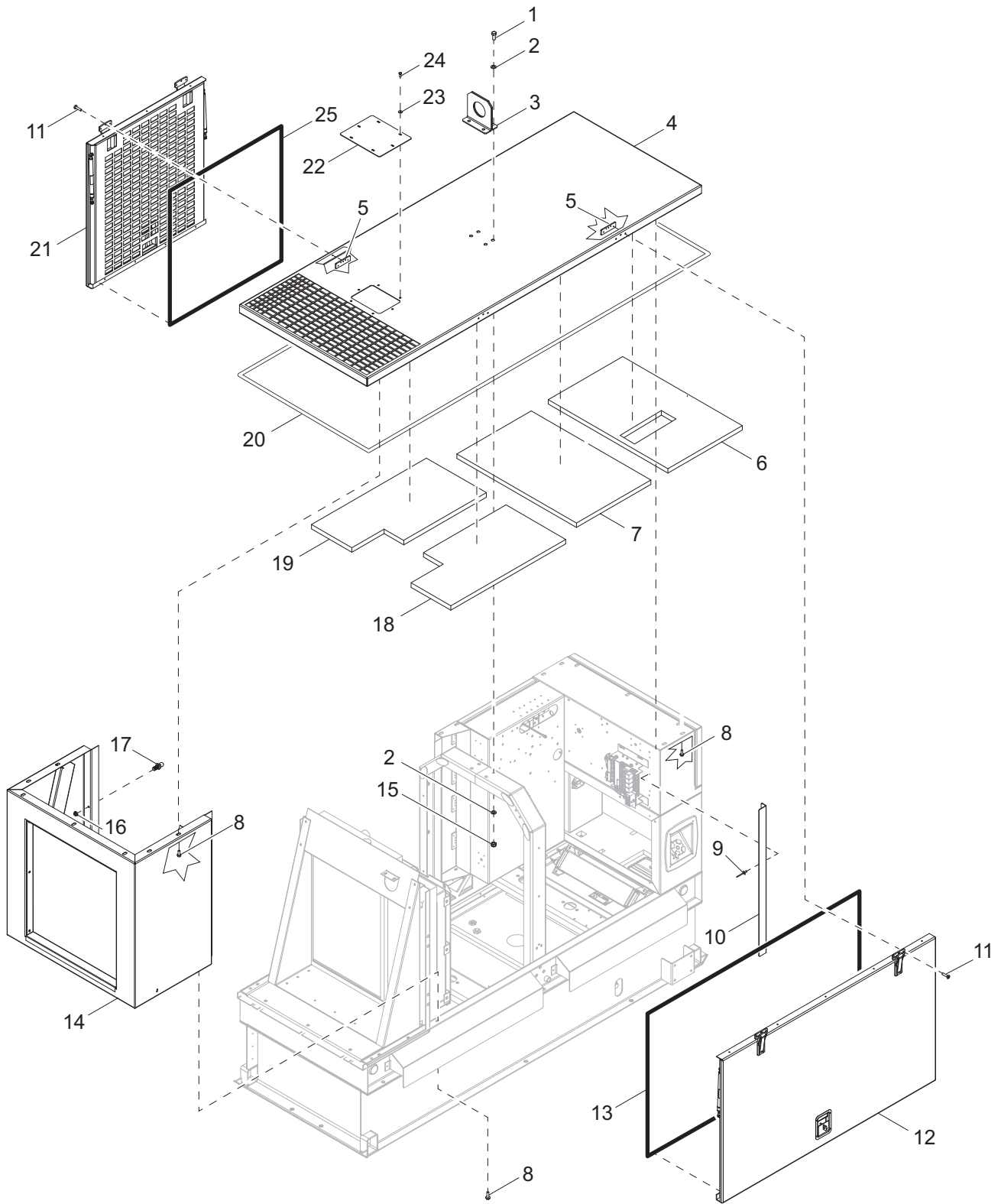


## ENCLOSURE PANELS

---

Item	Part No.	Qty	Description	Notes
1	10000036026	1	FRONT ENCLOSURE ASSEMBLY	<a href="#">Page 20</a>
2	10000036266	1	ROOF ASSEMBLY	<a href="#">Page 12</a>
3	10000036235	1	LEFT SIDE DOOR ASSEMBLY	<a href="#">Page 14</a>
4	10000036081	1	RIGHT SIDE DOOR ASSEMBLY	<a href="#">Page 16</a>
5	10000036046	1	BREAKER DOOR ASSEMBLY	<a href="#">Page 22</a>
6	10000036047	1	LUG/CAM DOOR ASSEMBLY	<a href="#">Page 22</a>
7	10000036067	1	BOTTOM REAR BOX ASSEMBLY	<a href="#">Page 28</a>
8	10000036048	1	CONTROL DOOR ASSEMBLY	<a href="#">Page 36</a>

# DOORS, ROOF, AND FRONT ENCLOSURE TO UNIT

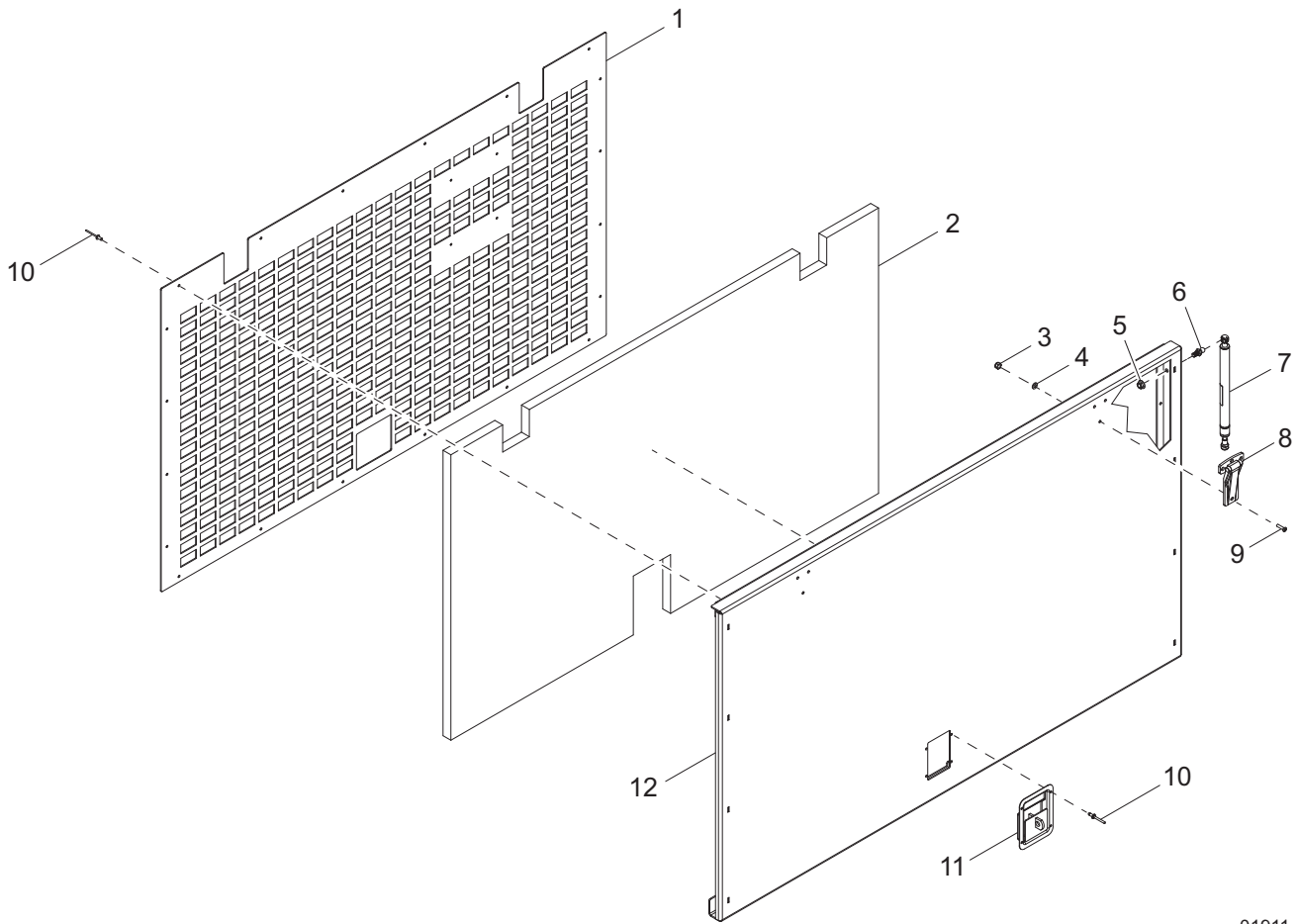
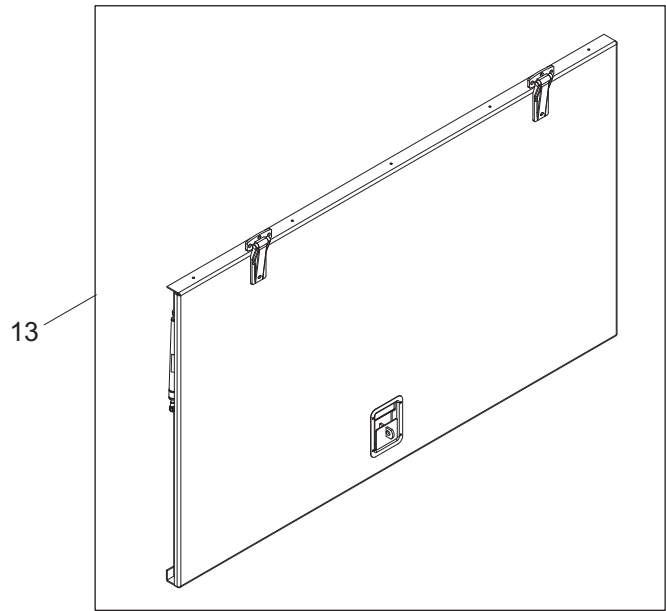


01912

## DOORS, ROOF, AND FRONT ENCLOSURE TO UNIT

Item	Part No.	Qty	Description	Notes
1	60388	4	SCREW, .500-13 X 1.50 STANDARD HEX, G5	
2	60309	8	WASHER, .500 FLAT 1.060/.090	
3	37115B	1	WELDMENT, LIFTING EYE	
4	35728W	1	PANEL, ROOF	
5	37136ZC	4	PLATE, HINGE BACK - THREADED	
6	10000035998	1	FOAM, ROOF - REAR	
7	10000036056	1	FOAM, ROOF - MIDDLE REAR	
8	60616	25	SCREW, .312-18 X .750 SER. FLANGE HEX, G5	
9	60268	6	RIVET, .188 DIAMETER X .126 TO .250 GRIP, SS	
10	37544W	1	FLANGE, DOOR	
11	35290	12	SCREW, 10-24 X 1.0 FLAT PHILLIPS, SS	
12	10000036235	1	ASSEMBLY, LEFT SIDE DOOR	
13	50187	10.83 ft	SEAL, DOOR - D-SHAPED (.750)	
14	10000036026	1	ASSEMBLY, FRONT ENCLOSURE	
15	62221	4	NUT, .500-13 NYLOCK, G5	
16	60095	4	NUT, .312-18 SER. FLANGE	
17	35293	4	STUD, BALL - 10 MM, .312-18	
18	10000036009	1	FOAM, ROOF - FRONT LEFT	
19	10000036072	1	FOAM, ROOF - FRONT RIGHT	
20	50197	16 ft	WEATHERSTRIPPING - .06 X 1.0	
21	10000036081	1	ASSEMBLY, RIGHT SIDE DOOR	
22	37214W	1	PANEL, RADIATOR ACCESS THRU ROOF	
23	60452	6	WASHER, .313 FLAT 1.125/1.0 BONDED RUBBER, SS	
24	60684	6	SCREW, .250-20 X .875 STANDARD HEX, SS	
25	50187	8.5 ft	SEAL, DOOR - D-SHAPED (.750)	

# LEFT SIDE DOOR ASSEMBLY

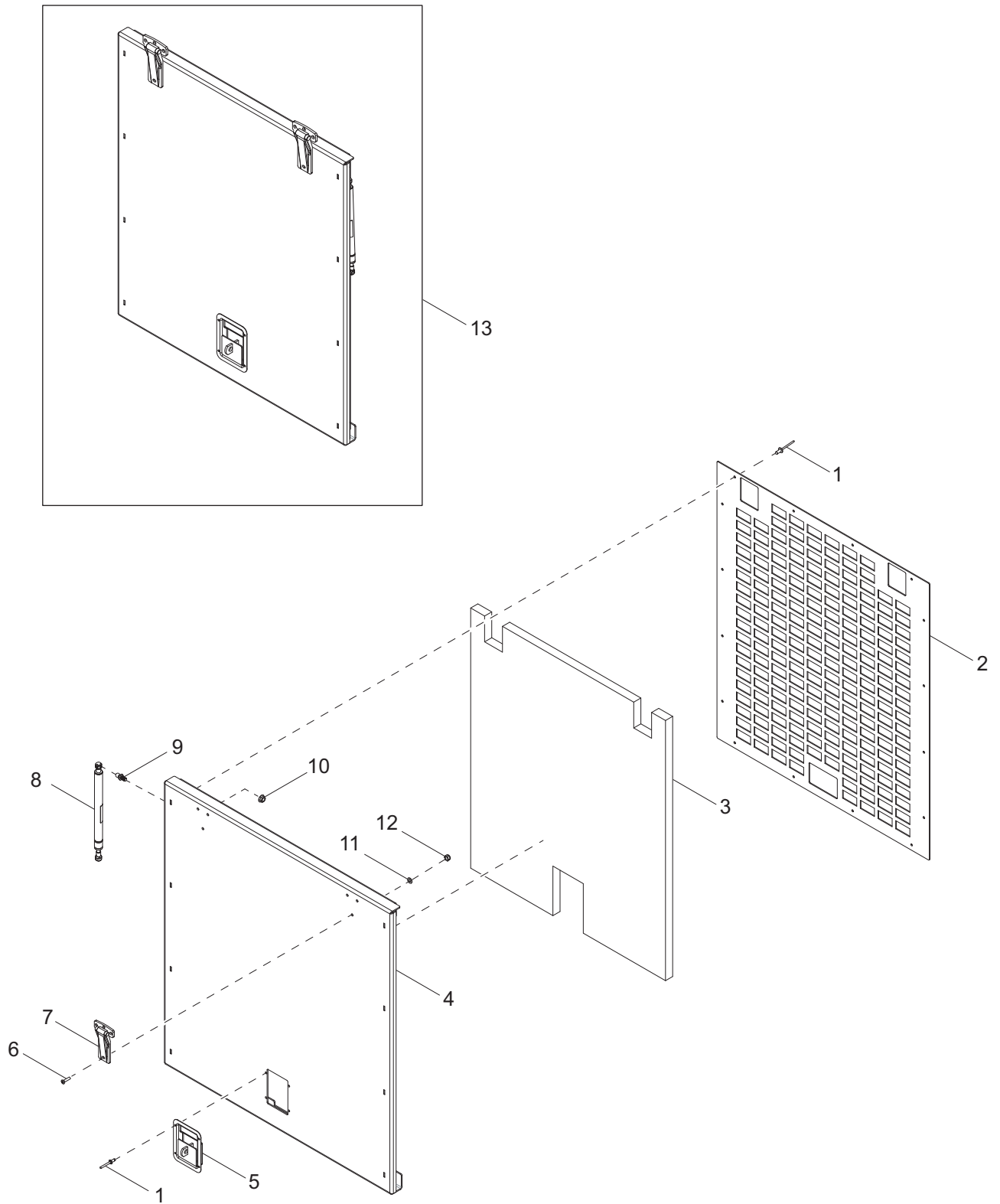


01911

## LEFT SIDE DOOR ASSEMBLY

Item	Part No.	Qty	Description	Notes
1	37847W	1	PANEL, INNER	
2	10000036069	1	FOAM, DOOR	
3	60457	6	NUT, 10-24 NYLOCK, G2	
4	60237	6	WASHER, #10 FLAT .495/.036	
5	60095	2	NUT, .312-18 SERRATED FLANGE	
6	35293	2	STUD, BALL - 10 MM, .312-18	
7	37821	2	SHOCK, GAS - 150 LB, 7 IN. STROKE	
8	35136	2	HINGE, FLUSH MOUNT	
9	35290	6	SCREW, 10-24 X 1.0 FLAT HEAD PHILLIPS, SS	
10	60268	24	RIVET, .188 DIAMETER X .126 TO .250 GRIP, SS	
11	37145B	1	LATCH, PADDLE - MINI, BLACK	
12	37845W	1	WELDMENT, LARGE DOOR	
13	10000036235	1	ASSEMBLY, LEFT SIDE DOOR	Items 1-12

# RIGHT SIDE DOOR ASSEMBLY

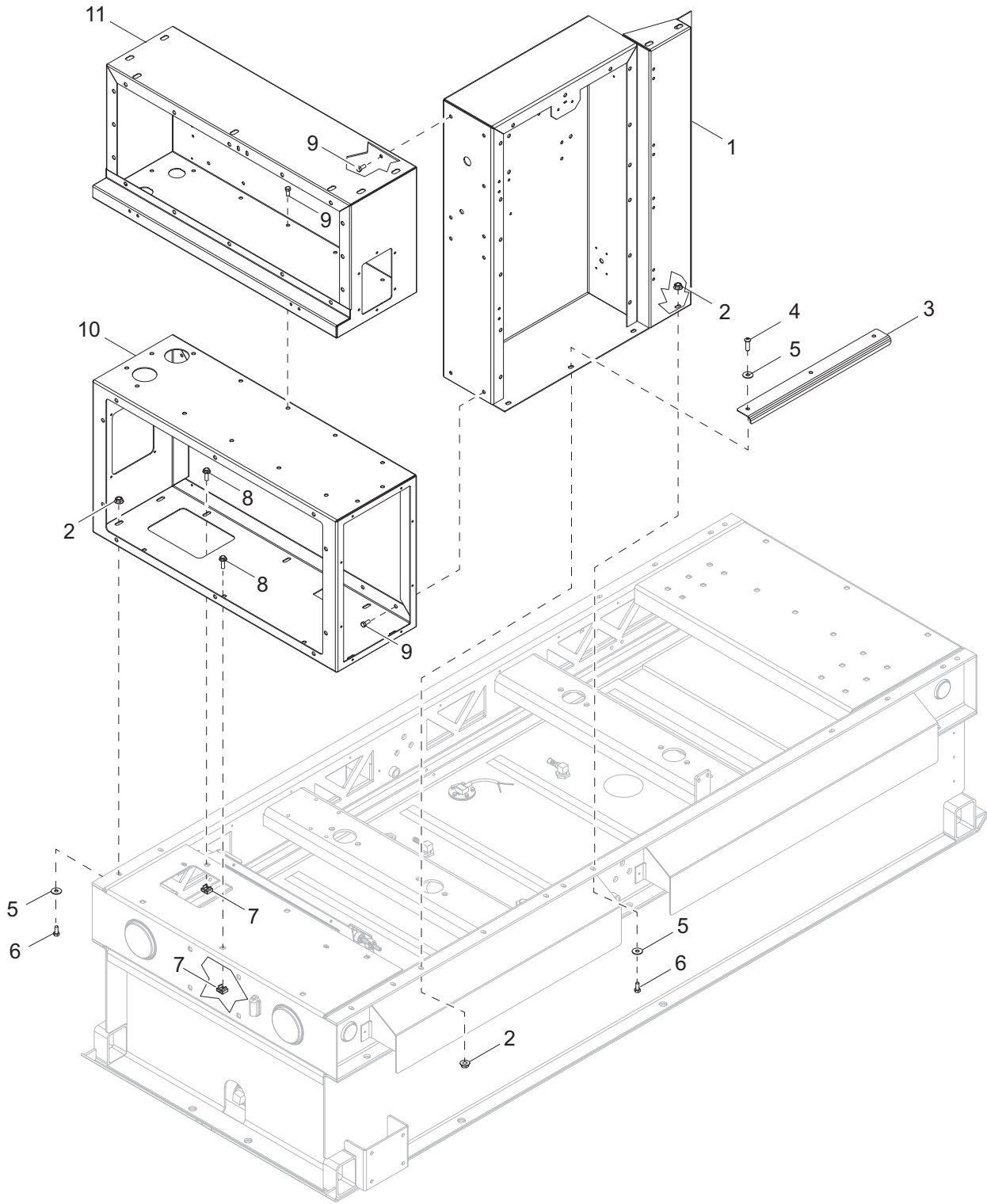


02065

## RIGHT SIDE DOOR ASSEMBLY

Item	Part No.	Qty	Description	Notes
1	60268	20	RIVET, .188 DIAMETER X .126 TO .250 GRIP, SS	
2	37854W	1	PANEL, INNER	
3	37046SRV	1	FOAM, DOOR	
4	37852W	1	WELDMENT, SMALL DOOR	
5	37145B	1	LATCH, PADDLE - MINI, BLACK	
6	35290	6	SCREW, 10-24 X 1.0 FLAT HEAD PHILLIPS, SS	
7	35136	2	HINGE, FLUSH MOUNT	
8	37533	2	SHOCK, GAS - 80 LBS, 6.75 IN. STROKE	
9	35293	2	STUD, BALL - 10 MM, .313-18	
10	60095	2	NUT, .312-18 SERRATED FLANGE	
11	60237	6	WASHER, #10 FLAT .495/.036	
12	60457	6	NUT, 10-24 NYLOCK, G2	
13	10000036081	1	ASSEMBLY, RIGHT SIDE DOOR	Items 1-12

# ELECTRICAL BOXES TO UNIT



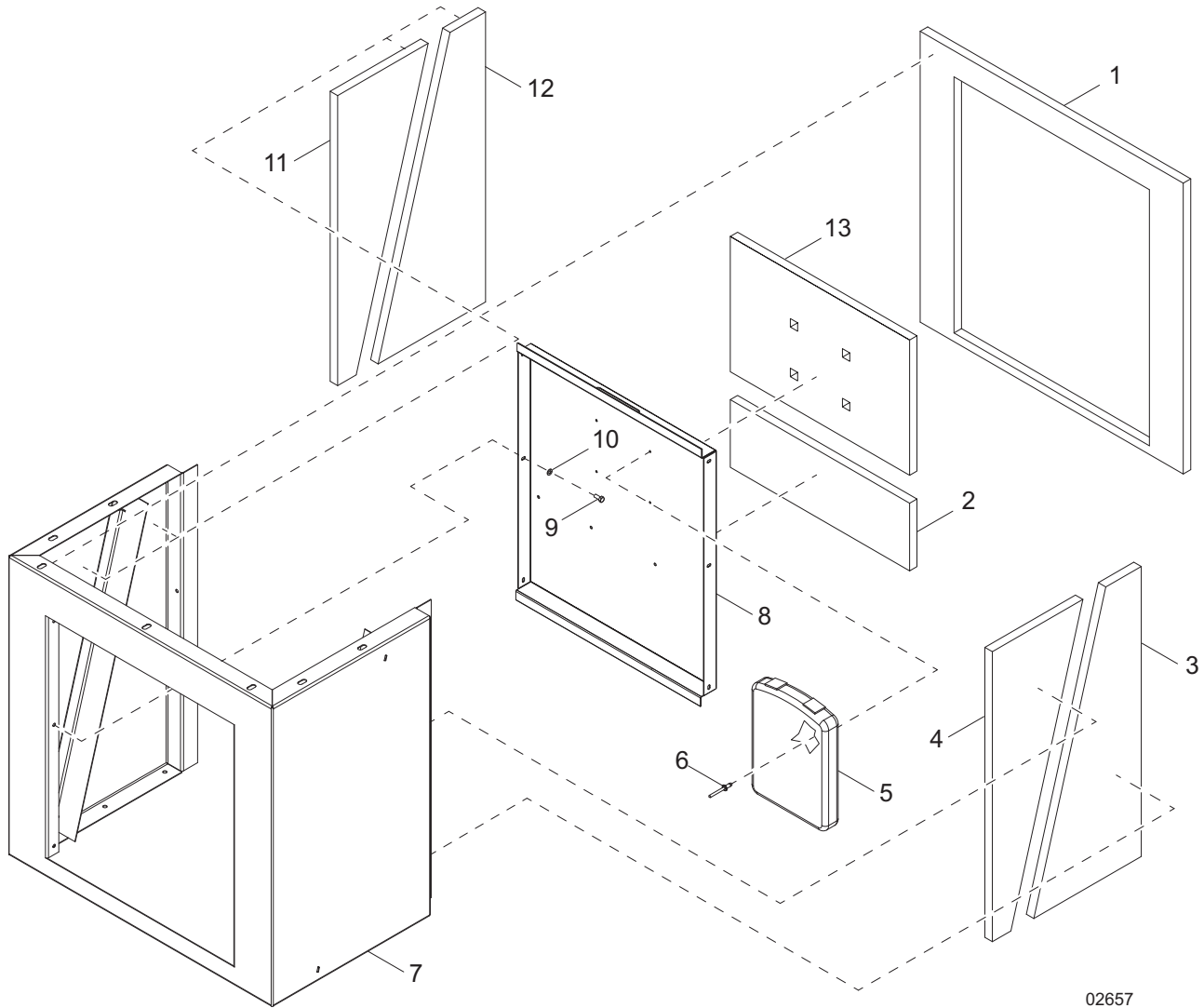
01099



## ELECTRICAL BOXES TO UNIT

Item	Part No.	Qty	Description	Notes
1	10000036130	1	ASSEMBLY, AC BOX	
2	60095	7	NUT, .312-18 SER. FLANGE	
3	37817B	1	GUIDE, CABLE	
4	60654	3	SCREW, .312-18 X 1.0 BUTTON HEX, SS	
5	60340	7	WASHER, .312 FLAT .875/.040, SS	
6	60507	4	SCREW, .312-18 X 1.0 STANDARD HEX, SS	
7	15425	5	NUT, .312-18 CAGE	
8	60616	5	SCREW, .312-18 X .750 SER. FLANGE HEX, G5	
9	62052	23	SCREW, .312-18 X .500 SER. FLANGE HEX, G5	
10	10000036067	1	ASSEMBLY, BOTTOM REAR BOX	<a href="#">Page 28</a>
11	10000036077	1	ASSEMBLY, CONTROL BOX	<a href="#">Page 32</a>

# FRONT ENCLOSURE ASSEMBLY

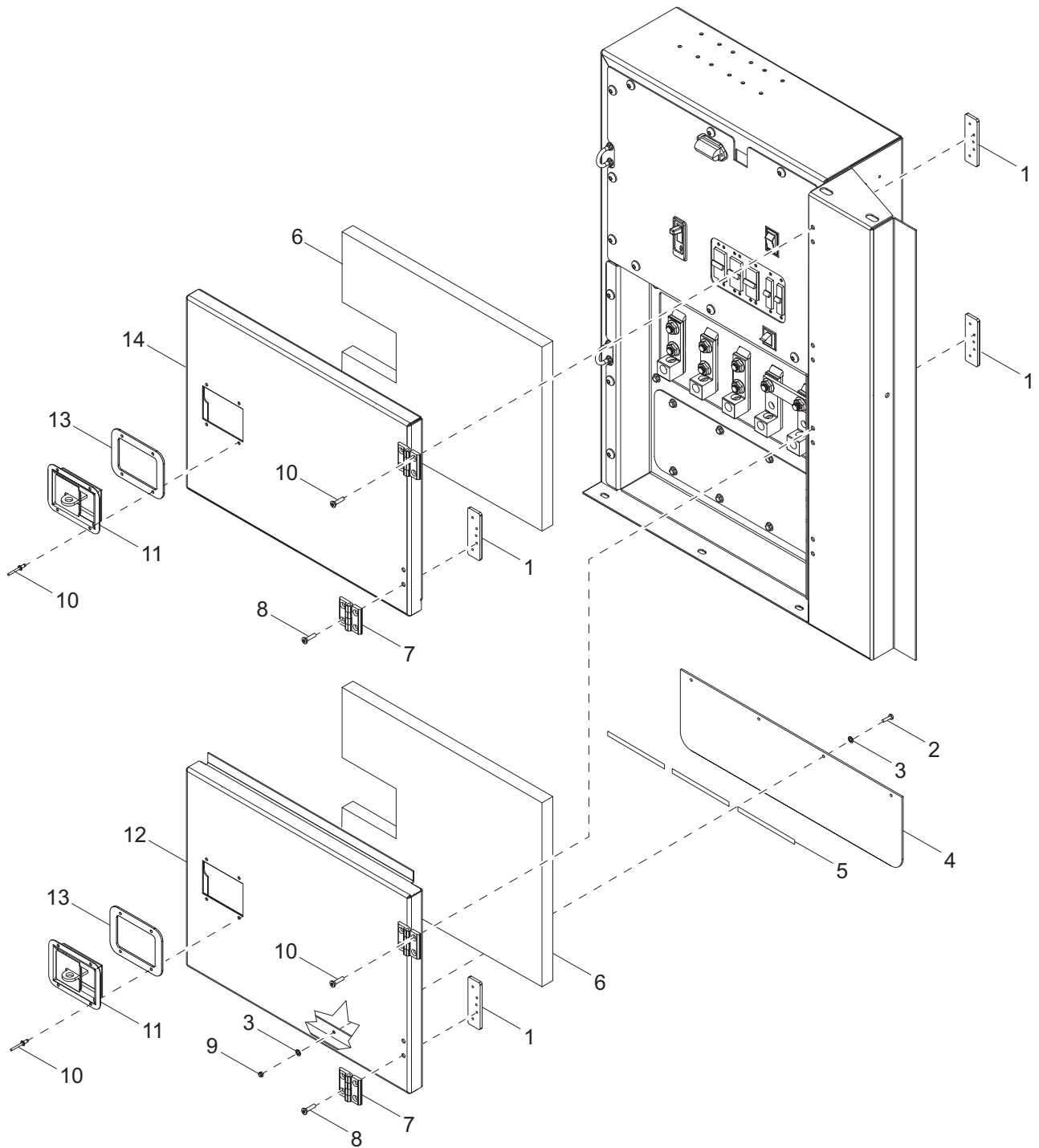


02657

## FRONT ENCLOSURE ASSEMBLY

Item	Part No.	Qty	Description	Notes
1	37111SRV	1	FOAM, FRONT ENCLOSURE	
2	10000036114	1	FOAM, FRONT PANEL - LOWER	
3	37110SRV	1	FOAM, FRONT ENCLOSURE - LEFT BOTTOM	
4	37108SRV	1	FOAM, FRONT ENCLOSURE - LEFT TOP	
5	24540	1	MANUAL HOLDER	
6	60195	4	RIVET, .188 DIAMETER X .375 TO .500 GRIP	
7	51296W	1	PANEL, FRONT INSERT FOR DEFLECTOR	
8	36932W	1	WELDMENT, FRONT ENCLOSURE	
9	60620	6	SCREW, .250-20 X 1.0 STANDARD HEX, SS	
10	60696	6	WASHER, .250 FLAT .625/.050, SS	
11	37106SRV	1	FOAM, FRONT ENCLOSURE - RIGHT TOP	
12	37109SRV	1	FOAM, FRONT ENCLOSURE - RIGHT BOTTOM	
13	10000036101	1	FOAM, FRONT PANEL - UPPER	

# AC BOX ASSEMBLY (1 OF 2)

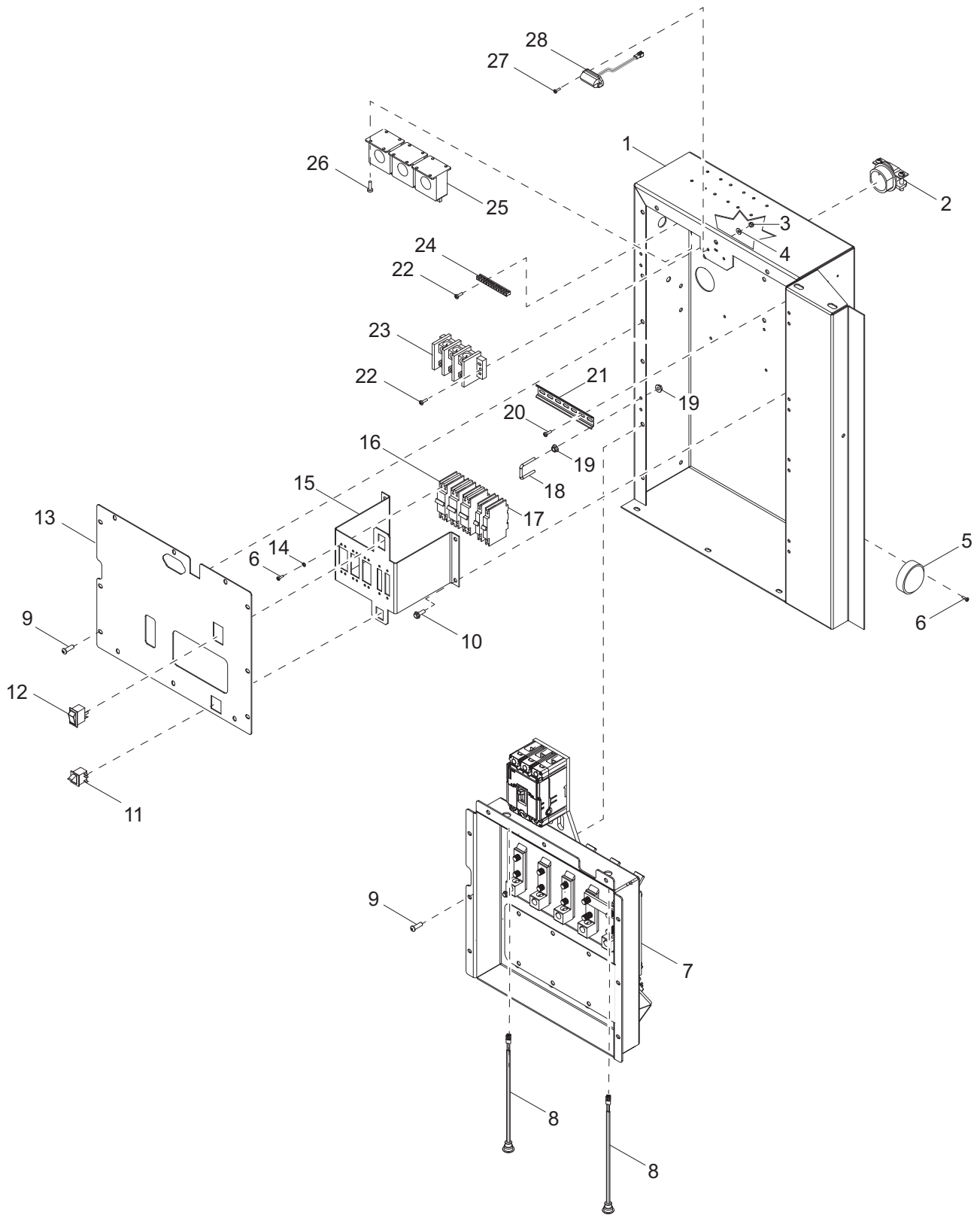


02658

## AC BOX ASSEMBLY (1 OF 2)

Item	Part No.	Qty	Description	Notes
1	37136ZC	8	PLATE, HINGE BACK - THREADED	
2	60540	4	SCREW, 10-24 X .750 PAN PHILLIPS, SS	
3	60067	8	WASHER, #10 FLAT .435/.060, SS	
4	35732	1	FLAP, LUG DOOR	
5	50192	1.5 ft	TAPE, .500 IN., DOUBLE SIDED, TYPE VHB	
6	10000036120	2	FOAM	
7	35394	4	HINGE, DOOR	
8	35290	16	SCREW, 10-24 X 1.0 FLAT HEAD PHILLIPS, SS	
9	60457	4	NUT, 10-24 NYLOCK, G2	
10	60268	8	RIVET, .188 DIAMETER. X .126 TO .250 GRIP, SS	
11	37145B	2	LATCH, PADDLE - MINI	
12	35356W	1	DOOR, LUG/CAM DOOR	
13	A0000061466	2	GASKET, DOOR LATCH	
14	35355W	1	DOOR, BREAKER	
--	50187	8.2 ft	WEATHERSTRIPPING - .06 X 1.0	

# AC BOX ASSEMBLY (2 OF 2)



02659

## AC BOX ASSEMBLY (2 OF 2)

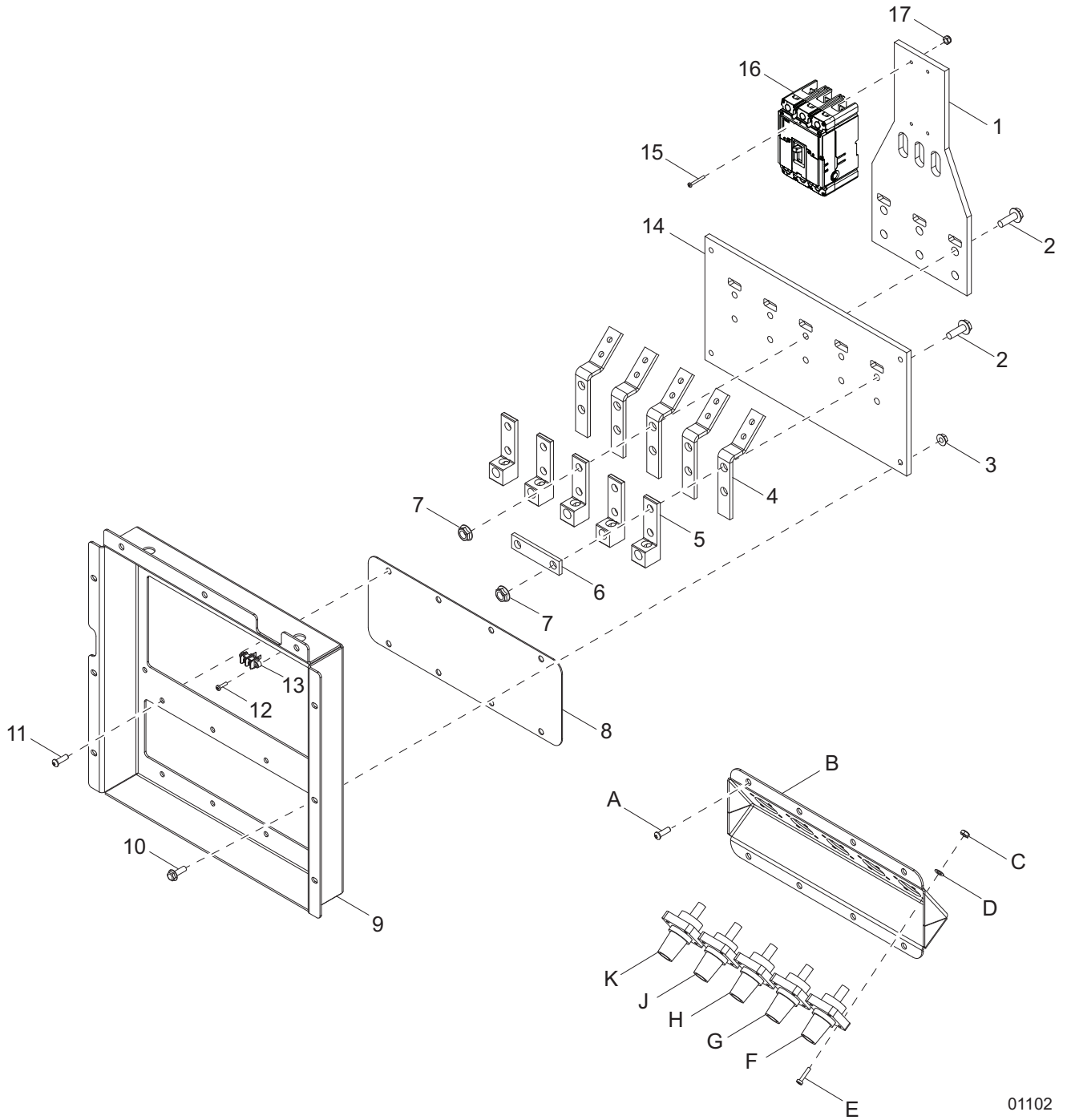
Item	Part No.	Qty	Description	Notes
1	37226W	1	WELDMENT, AC BOX	
2	65788	1	STRAIN RELIEF - 2.0 ROMEX W/NUT	
3	60270	2	NUT, 8-32 NYLOCK, CLASS 6	
4	60269	2	WASHER, #8 FLAT .433/.036	
5	68262	1	ASSEMBLY, LED LIGHT - 12V OVAL	
6	60046	20	SCREW, 6-32 X .750 PAN PHILLIPS, G2	
7	A0003096574	1	ASSEMBLY, LUG BOX	Page 26
8	36964	2	ASSEMBLY, CONTROLS LIGHT	
9	69668	18	SCREW, .312-18 X .750 BUTTON SOCKET CAP, G5	
10	60616	4	SCREW, .312-18 X .750 SER.FLANGE HEX, G5	
11	66089	1	SWITCH, TRIGGER SAFETY, NO TERMINALS	
12	66995	1	SWITCH, ROCKER - ON/OFF	
13	37230W	1	PANEL, AC BOX BREAKER	
14	60058	16	WASHER, #6 SPLIT LOCK	
15	35387B	1	BRACKET, BREAKER	
16	18092	3	BREAKER, 50A, 240V, 2-POLE	
17	18091	2	BREAKER, 20A, 240V, 1-POLE	
18	A0000616200	2	U-BOLT, .250-20 X 1.0 INSIDE 1.75 LONG	
19	60161	8	NUT, .250-20 SERRATED FLANGE, G5	
20	60062	2	SCREW, 10-32 X .750 PAN PHILLIPS, G2	
21	67129	1	RAIL, DIN - 35MM X 7.0 IN	
22	60062	4	SCREW, 10-32 X .750 PAN PHILLIPS, G2	
23	65356	1	BLOCK, TERMINAL - 3 POLE,	
24	14204	1	KIT, GROUND BAR	
25	65685	3	TRANSFORMER, CURRENT - TERMINALS (200:5A)	
26	60277	12	SCREW, 10-32 X .500 PAN PHILLIPS, G2	
27	60694	2	SCREW, 8-32 X .750 PAN PHILLIPS, SS	
28	36879	1	LIGHT, LICENSE PLATE	
--	68143	1	WIRE GROUP - POWER BOX	
--	50187	5.67 ft	SEAL, DOOR - D-SHAPED	Used on item 24
--	50187	4.10 ft	SEAL, DOOR - D-SHAPED	Used on item 18
--	68113	1	ASSEMBLY, TERMINAL BLOCK - PT2.5, 7 POSITION	

### OPTIONAL FEATURES

*Buck Transformer: (if equipped)*

--	66340	1	RELAY, VOLTAGE SENSING (132 IN, 126 OUT)
--	65644	1	BASE, RELAY - 8 POSITION
--	65461	1	RELAY, 30A DPDT 120VAC POWER

# LUG BOX ASSEMBLY



01102



## LUG BOX ASSEMBLY

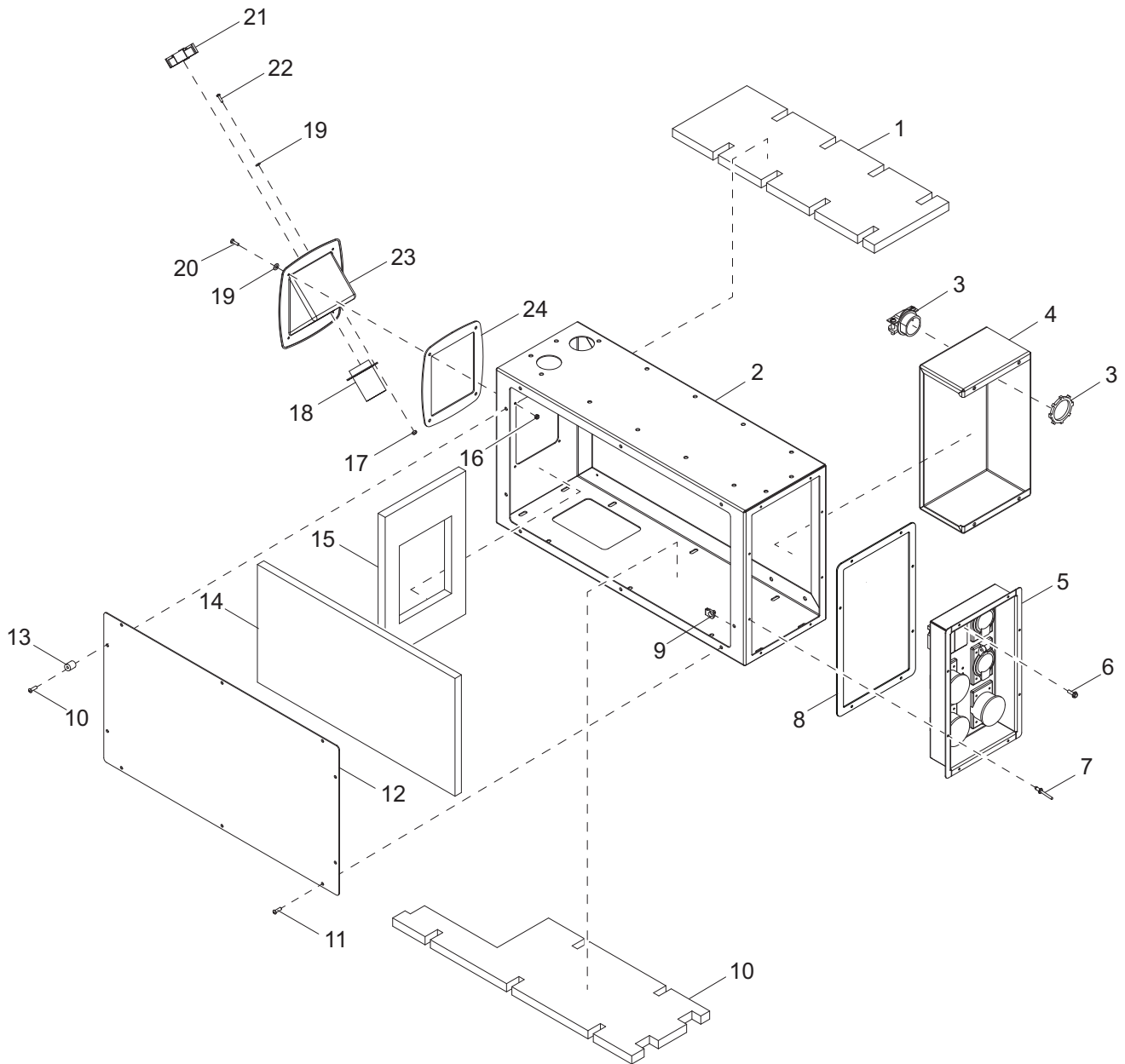
Item	Part No.	Qty	Description	Notes
1	37446	1	PANEL, GLASTIC LUG/BREAKER	
2	61103	10	SCREW, .500-13 X 1.750 SERRATED FLANGE HEX	
3	60095	4	NUT, .312-18 SERRATED FLANGE	
4	35389	5	BUS, LUG	
5	65677	5	LUG, TERMINAL SINGLE - 2 HOLE	
6	37218	1	BUS, NEUTRAL TO GROUND	
7	60098	10	NUT, .500-13 SERRATED FLANGE	
8	37336B	1	PLATE, CAMS BLOCK-OFF	
9	A0003096518	1	PANEL, LUG/CAM	
10	61091	4	SCREW, .312-18 X 1.0 SERRATED FLANGE HEX, G5	
11	69668	8	SCREW, .312-18 X .750 BUTTON HEAD, G5	
12	60488	2	SCREW, 8-32 X .750 PAN PHILLIPS, G2, SELF TAP	
13	68080	1	BLOCK, TERMINAL - 2 POSITION FEED THRU	
14	35388	1	PANEL, GLASTIC LUG	
15	60159	4	SCREW, M4-.70 X 45 PAN PHILLIPS, G4.8	
16	A0002197861	1	BREAKER, 225A	
17	60051	4	NUT, M4-.7 NYLOCK, G8.8	

### OPTIONAL FEATURES

#### *Cam Locks: (if equipped)*

A	69668	8	SCREW, .312-18 X .750 BUTTON HEAD, G5
B	37221B	1	PANEL, CAM LOCK
C	60061	20	NUT, 10-32 NYLOCK
D	60237	20	WASHER, #10 FLAT .495/.036
E	60062	20	SCREW, 10-32 X .750 PAN PHILLIPS, G2
F	66041	1	CONNECTOR, CAM LOCK FLANGE FEMALE, 400A, GREEN
G	66040	1	CONNECTOR, CAM LOCK FLANGE FEMALE, 400A, WHITE
H	65553	1	CONNECTOR, CAM LOCK FLANGE FEMALE, 400A, BLUE
J	65552	1	CONNECTOR, CAM LOCK FLANGE FEMALE, 400A, RED
K	65551	1	CONNECTOR, CAM LOCK FLANGE FEMALE, 400A, BLACK
--	68179	1	WIRE GROUP - CAM LOCKS, SINGLE

# BOTTOM REAR BOX ASSEMBLY

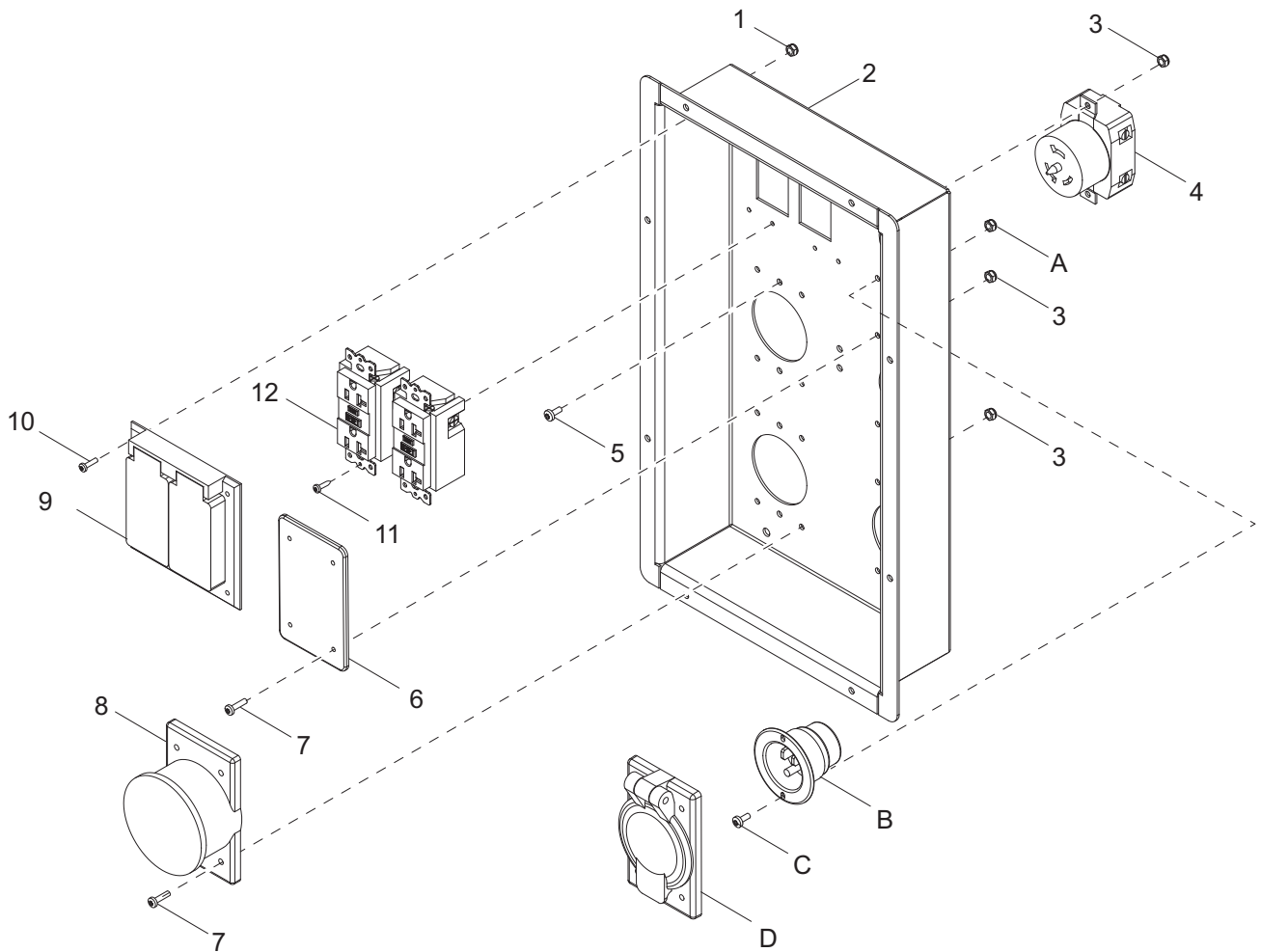


01910

## BOTTOM REAR BOX ASSEMBLY

Item	Part No.	Qty	Description	Notes
1	10000018640	1	FOAM, BOTTOM REAR BOX - TOP	
2	35413W	1	BOX, BOTTOM REAR	
3	65788	1	STRAIN RELIEF - 2.0 ROMEX W/NUT	
4	37229B	1	PANEL, BUCK TRANSFORMER MOUNTING	
5	10000036131	1	ASSEMBLY, RECEPTACLE PANEL	
6	60479	4	SCREW, .250-20 X 1.0 SERRATED FLANGE HEX, G5	
7	60260	8	RIVET, .188 DIAMETER X .375 TO .500 GRIP, SS	
8	10000047339	1	GASKET, RECEPTACLE PANEL	
9	61143	10	NUT, .250-20 U-CLIP - SHORT TYPE	
10	10000018611	1	FOAM, BOTTOM REAR BOX - LOWER	
11	68070	10	SCREW, .250-20 X 1.0 BUTTON HEX, SS	
12	37231W	1	PANEL, BOTTOM REAR BOX	
13	37869	2	BUMPER, ROUND - 1.25 DIAMETER X 1.25H	
14	10000018631	1	FOAM, BOTTOM REAR BOX - FACE	
15	10000018621	1	FOAM, BOTTOM REAR BOX - SIDE	
16	60457	4	NUT, 10-24 NYLOCK, G2	
17	60530	3	NUT, 10-24 NYLOCK, SS	
18	18506	1	PORT, FUEL FILL	
19	37626B	1	WELDMENT, FILLER TUBE & FLANGE - 2.75 IN. OD	
20	60067	7	WASHER, #10 FLAT .435/.060, SS	
21	60540	4	SCREW, 10-24 X .750 PAN PHILLIPS, SS	
22	60529	3	SCREW, 10-24 X .6258 PAN PHILLIPS, SS	
23	18648	1	CAP, FUEL FILL W/GASKET	
24	10000047413	1	GASKET, FUEL FILL	

# RECEPTACLE PANEL ASSEMBLY



02660

## RECEPTACLE PANEL ASSEMBLY

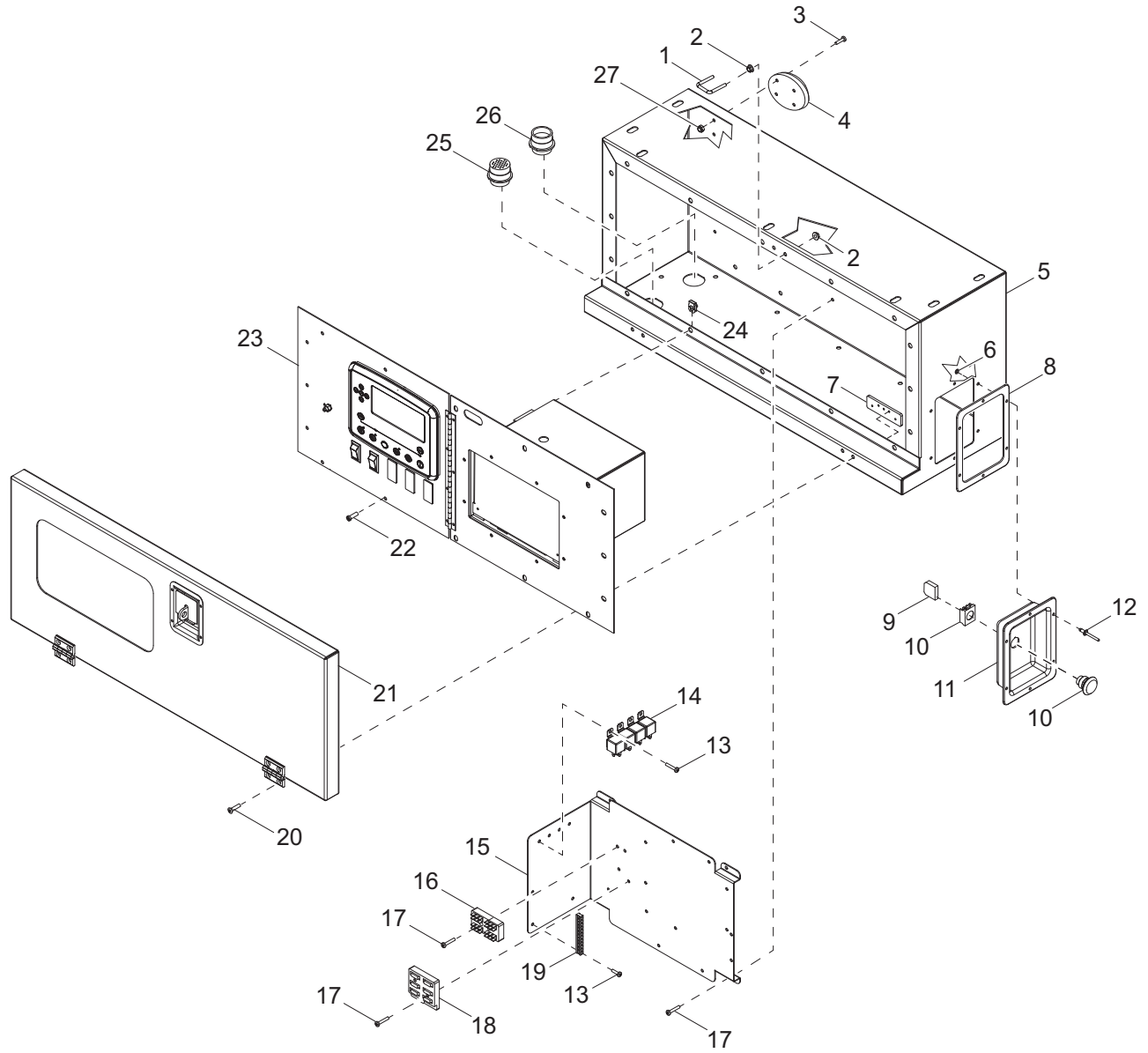
Item	Part No.	Qty	Description	Notes
1	60290	4	NUT, 6-32 NYLOCK, SS	
2	35415B	1	PANEL, RECEPTACLE	
3	60270	26	NUT, 8-32 NYLOCK, CLASS 6	
4	18089	3	RECEPTACLE, 240V/50A TWIST-LOCK	
5	62054	6	SCREW, 8-32 X .500 PAN PHILLIPS, SS	
6	68453	2	COVER, RECEPTACLE - BLOCK OFF	
7	60694	20	SCREW, 8-32 X .750 PAN PHILLIPS, SS	
8	65467	3	COVER, RECEPTACLE - WEATHERPROOF 50A	
9	15849	1	COVER, RECEPTACLE - WEATHERPROOF 20A GFCI	
10	62210	4	SCREW, 6-32 X .500 PAN PHILLIPS, SS	
11	60424	4	SCREW, 6-32 X .750 PAN PHILLIPS, G2, SELF TAP	
12	14130	2	RECEPTACLE, 120V/20A GFCI	

### OPTIONAL FEATURES

#### *Receptacles: (if equipped)*

A	60728	4	NUT, 6-32 NYLOCK, G5
B	65285	2	RECEPTACLE, 120V/15A INLET (EDISON)
C	61193	4	SCREW, 6-32 X .375 PAN PHILLIPS, SS
D	36939	2	COVER, RECEPTACLE - WEATHERPROOF 20/30A

# CONTROL BOX ASSEMBLY

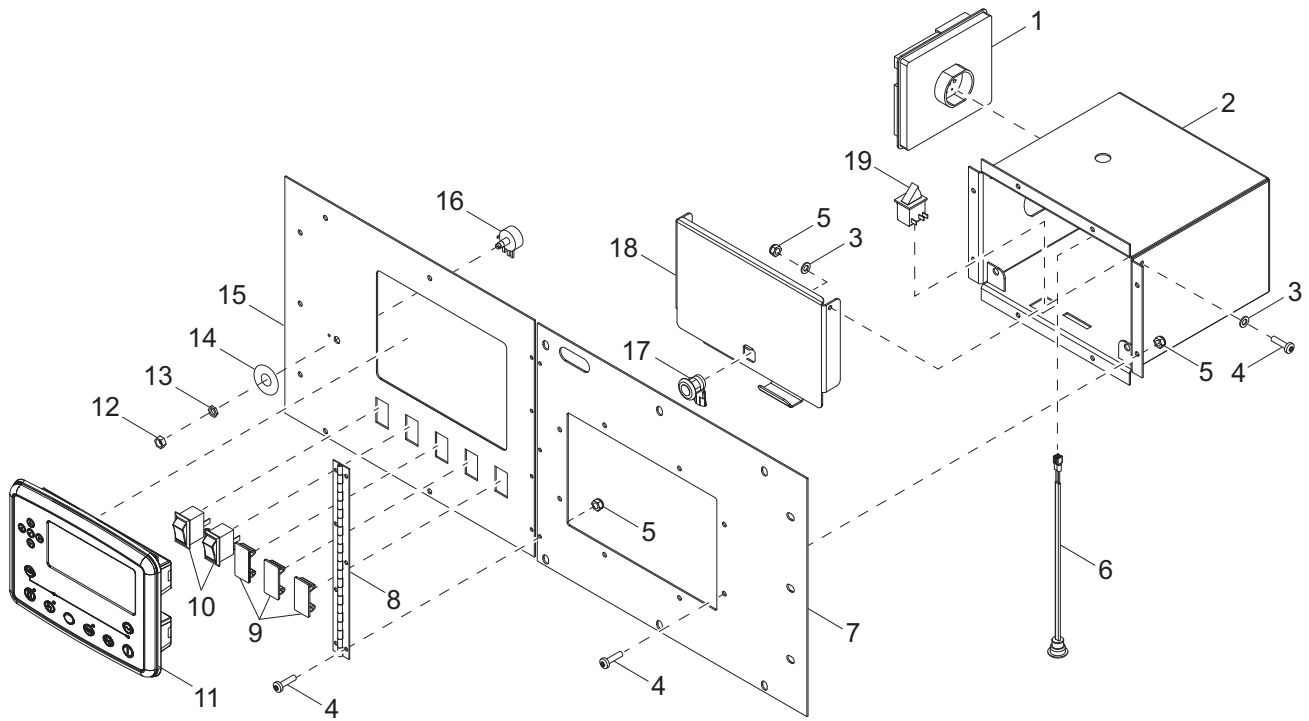


03532

## CONTROL BOX ASSEMBLY

Item	Part No.	Qty	Description	Notes
1	A0000616200	1	U-BOLT, .250-20 X 1 INSIDE 1.75 LONG	
2	60161	4	NUT, .250-20 SERRATED FLANGE, G5	
3	60046	4	SCREW, 6-32 X .750 PAN PHILLIPS, G2	
4	68262	1	LIGHT, ASSEMBLY - 12V LED OVAL	
5	35348W	1	BOX, CONTROL	
6	60067	6	WASHER, #10 FLAT .435/.060, SS	
7	37136ZC	2	PLATE, HINGE BACK - THREADED	
8	A0001583367	1	GASKET, E-STOP	
9	65580	1	BLOCK, EMERGENCY STOP CONTACTOR - NC	
10	65470	1	SWITCH, EMERGENCY STOP OPERATOR	
11	30645	1	PANEL, EMERGENCY STOP	
12	60260	6	RIVET, .188 DIAMETER X .375 TO .500 GRIP, SS	
13	60062	6	SCREW, 10-32 X .750 PAN PHILLIPS, G2	
14	68106	4	RELAY, 12V 30/50A NO W/DIODE	
15	37481W	1	BRACKET, DC CONTROLS	
16	66992	1	BLOCK, TERMINAL - 4 X 6 PUSH-ON	
17	60277	12	SCREW, 10-32 X .500 PAN PHILLIPS, G2	
18	68203	1	FUSE HOLDER, 6 BANK, TYPE MINI	
19	14204	1	KIT, GROUND BAR	
20	35290	4	SCREW, 10-24 X 1.0 FLAT PHILLIPS, SS	
21	10000036048	1	ASSEMBLY, CONTROL DOOR	
22	68070	16	SCREW, .250-20 X 1.0 BUTTON HEX, SS	
23	A0000445886	1	ASSEMBLY, CONTROL PANEL	Page 34
24	61143	16	NUT, .250-20 U-CLIP - SHORT TYPE	
25	28704	1	CONNECTOR, DEUTSCH 31 POS. RECEPTACLE	
26	65309	1	CONNECTOR, DEUTSCH 21 POS. RECEPTACLE	
27	60728	4	NUT, 6-32 NYLOCK, G5	
--	68130	1	HARNESS, CONTROL BOX	

# CONTROL PANEL ASSEMBLY



03533

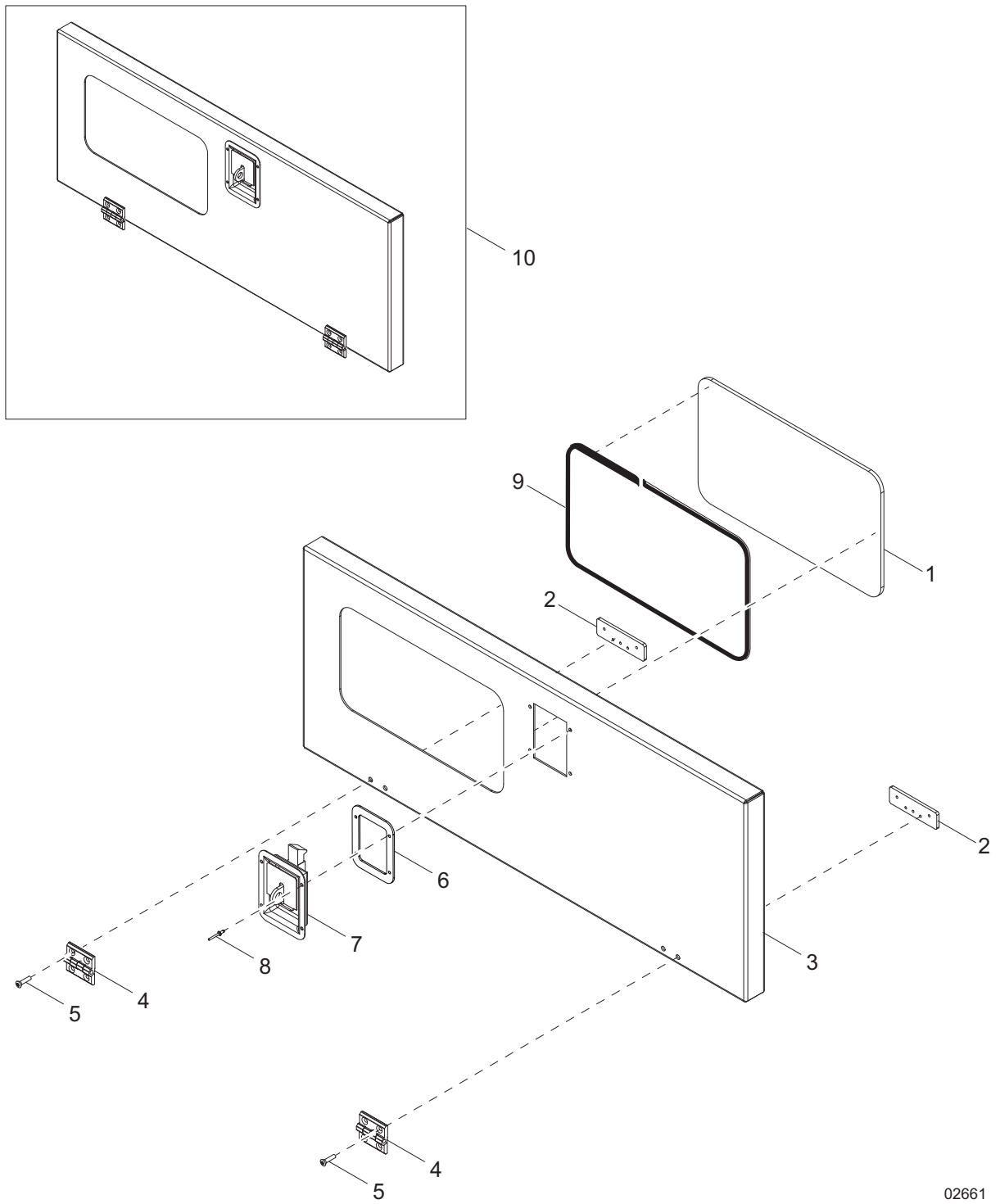


## CONTROL PANEL ASSEMBLY

Item	Part No.	Qty	Description	Notes
1	36364	1	REGULATOR, VOLTAGE - PM500	
2	37129W	1	WELDMENT, PHASE SWITCH BOX	
3	60237	4	WASHER, #10 FLAT .495/.036	
4	60277	17	SCREW, 10-32 X .500 PAN PHILLIPS, G2	
5	60061	17	NUT, 10-32 NYLOCK	
6	36964	1	ASSEMBLY, CONTROLS LIGHT	
7	37490W	1	PANEL, PHASE SWITCH	
8	13677	1	HINGE, CONTINUOUS - 11.0 IN	
9	34439	2	PLUG, PANEL SWITCH - 1.91 X .96	
10	66995	2	SWITCH, ROCKER - ON/OFF	
11	CALL*	1	CONTROLLER, PROGRAMMED 7310MKII	
12	-	1	NUT, WITH POTENTIOMETER	WITH ITEM 18
13	-	1	NUT, WITH POTENTIOMETER	WITH ITEM 18
14	18934	1	DECAL, POTENTIOMETER GUARD	
15	A0000175356	1	PANEL, CONTROL DSE7310 - MMG SMALL	
16	18113	1	POTENTIOMETER, 2.5K 2 WATT	
17	20762	1	LOCK, DOOR - 1/4 TURN CAM	
18	37824W	1	DOOR, PHASE SWITCH	
19	66089	1	SWITCH, TRIGGER SAFETY - NO TERMINALS	

**Note:** \* To order replacement controller, contact Generac Mobile Products with unit serial number

# CONTROL DOOR ASSEMBLY



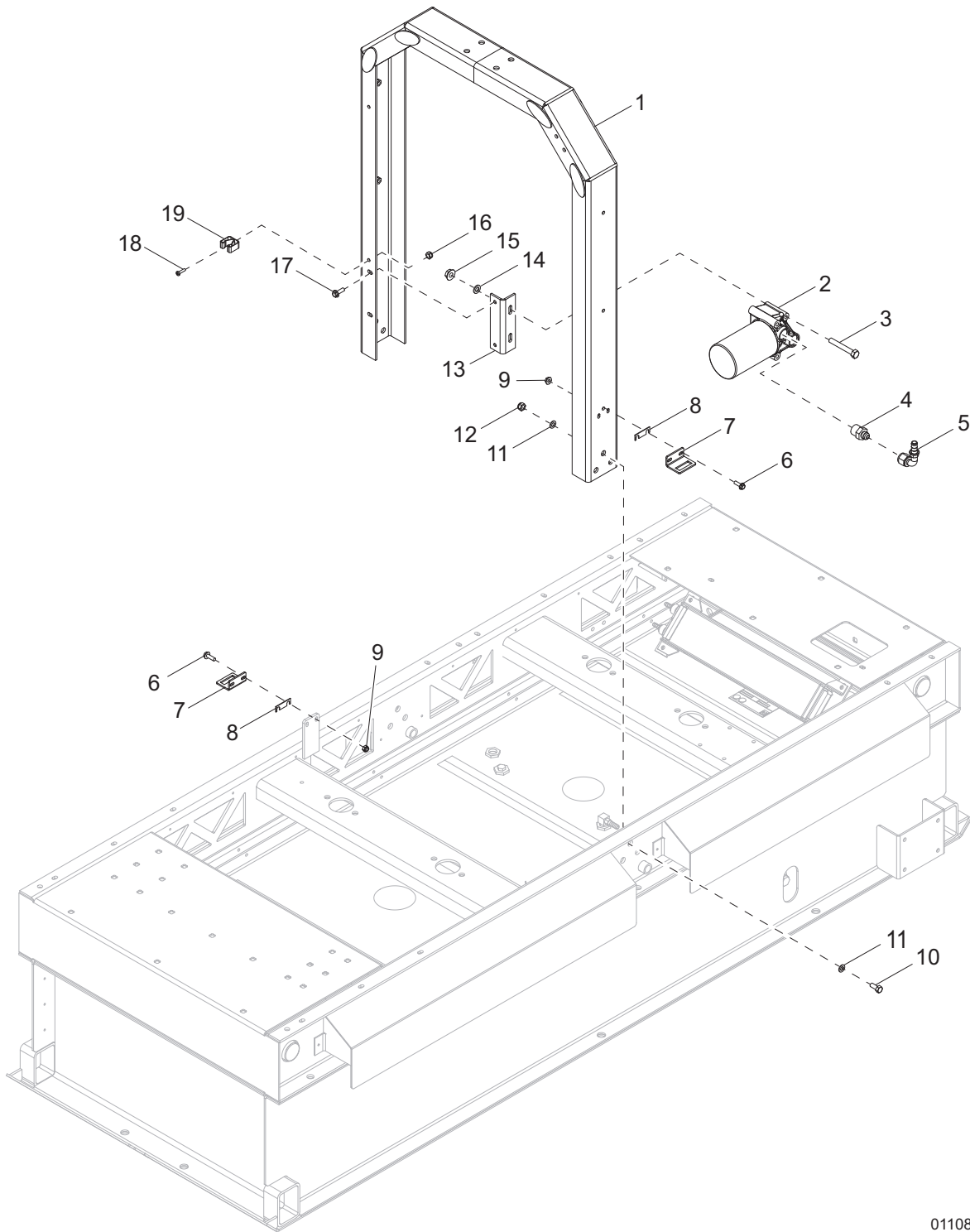
02661

**CONTROL DOOR ASSEMBLY**

---

<b>Item</b>	<b>Part No.</b>	<b>Qty</b>	<b>Description</b>	<b>Notes</b>
1	35854	1	WINDOW, CONTROL DOOR - UV	
2	37136ZC	2	PLATE, HINGE BACK	
3	35346W	1	DOOR, CONTROL	
4	35394	2	HINGE, DOOR	
5	35290	4	SCREW, 10-24 X 1.0 FLAT HEAD PHILLIPS, SS	
6	A0000061466	1	GASKET, DOOR LATCH	
7	37145B	1	LATCH, PADDLE - MINI, BLACK	
8	60268	4	RIVET, .188 DIAMETER X .126 TO .250 GRIP, SS	
9	50192	4 ft	TAPE, .500 IN., DOUBLE SIDED, TYPE VHB	
10	10000036048	1	ASSEMBLY, CONTROL DOOR	Items 1-8
--	50187	8.08 ft	SEAL, DOOR - D-SHAPED (.750)	

# LIFT STRUCTURE TO SKID ASSEMBLY

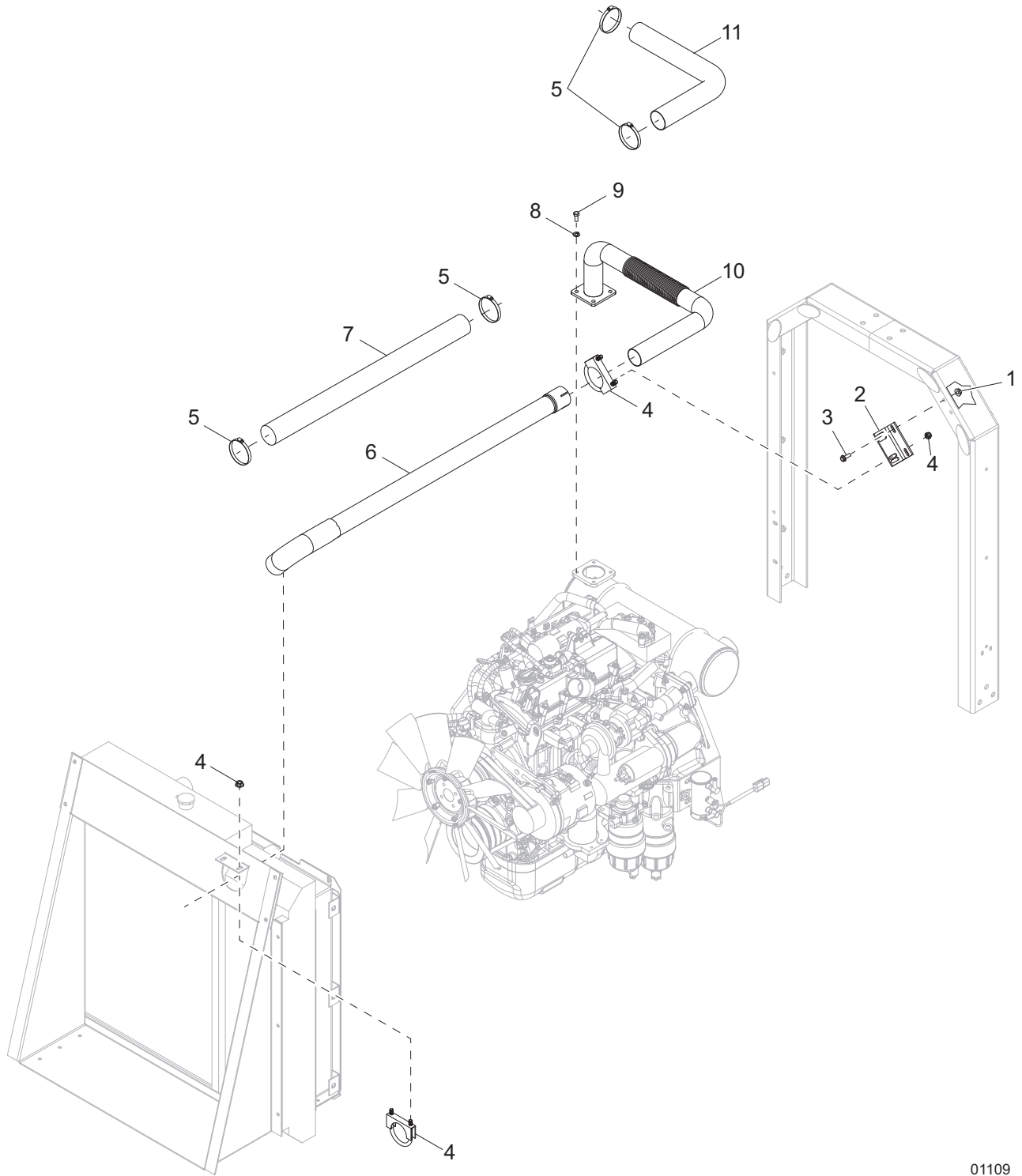


01108

## LIFT STRUCTURE TO SKID ASSEMBLY

Item	Part No.	Qty	Description	Notes
1	37054B	1	WELDMENT, LIFT STRUCTURE	
2	36906	1	ELEMENT, OIL FILTER	
3	60973	2	SCREW, .312-18 X 4.5 STD HEX, G5	
4	N/A	2	FITTING, STRT - .750-14BSPP X .750-16 JIC	
5	62205	2	FITTING, 90° - .750-16 JIC X #8 PUSH-LOCK	
6	60523	4	SCREW, .250-20 X .875 SER. FLANGE HEX	
7	37954B	2	BRACKET, DOOR LATCH	
8	38459	4	SHIM, DOOR LATCH	
9	60161	4	NUT, .250-20 SER. FLANGE, G5	
10	60388	6	SCREW, .500-13 X 1.50 STD HEX, G5	
11	60309	12	WASHER, .500 FLAT 1.060/.090	
12	62221	6	NUT, .500-13 NYLOCK, G5	
13	37488B	1	WELDMENT, OIL FILTER BRACKET	
14	60243	2	WASHER, .250 FLAT .735/.060	
15	60095	2	NUT, .312-18 SER. FLANGE	
16	60061	1	NUT, 10-32 NYLOCK	
17	60616	2	SCREW, .312-18 X .750 SER.D FLANGE HEX, G5	
18	60398	1	SCREW, 10-32 X .500 PAN PHILLIPS, SS	
19	19041	1	CLIP, SPRING HOLDER	

# EXHAUST SYSTEM ASSEMBLY



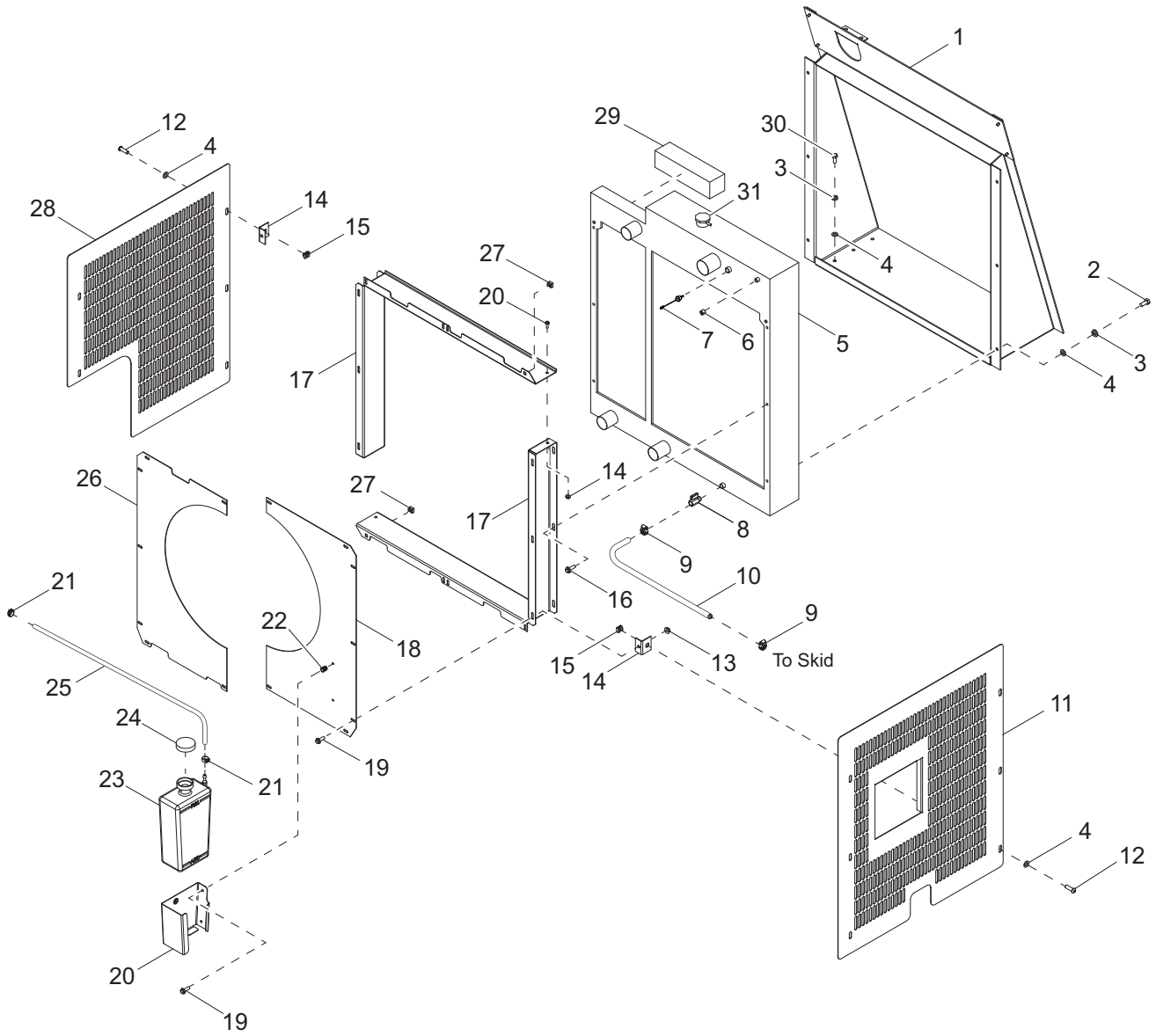
01109

## EXHAUST SYSTEM ASSEMBLY

---

Item	Part No.	Qty	Description	Notes
1	60095	2	NUT, .312-18 SERRATED FLANGE	
2	37690B	1	BRACKET, EXHAUST SUPPORT	
3	61091	2	SCREW, .312-18 X 1.0 SERRATED FLANGE HEX, G5	
4	18823	2	CLAMP, MUFFLER - 2.0	
5	60316	4	CLAMP, HOSE - SAE 032 (1.56-2.50)	
6	37809	1	PIPE, EXHAUST	
7	26478	3.33 ft	SLEEVE, HIGH TEMP - 2.0	
8	60029	4	WASHER, M8 SPLIT LOCK	
9	61204	4	SCREW, M8-1.25 X 20 STD HEX, G10.9	
10	37497	1	WELDMENT, EXHAUST PIPE - FILTER OUT	
11	26478	2.83 ft	SLEEVE, HIGH TEMP - 2.0	
--	A0001609547	1	ASSEMBLY, EXHAUST SYSTEM	

# COOLING SYSTEM ASSEMBLY



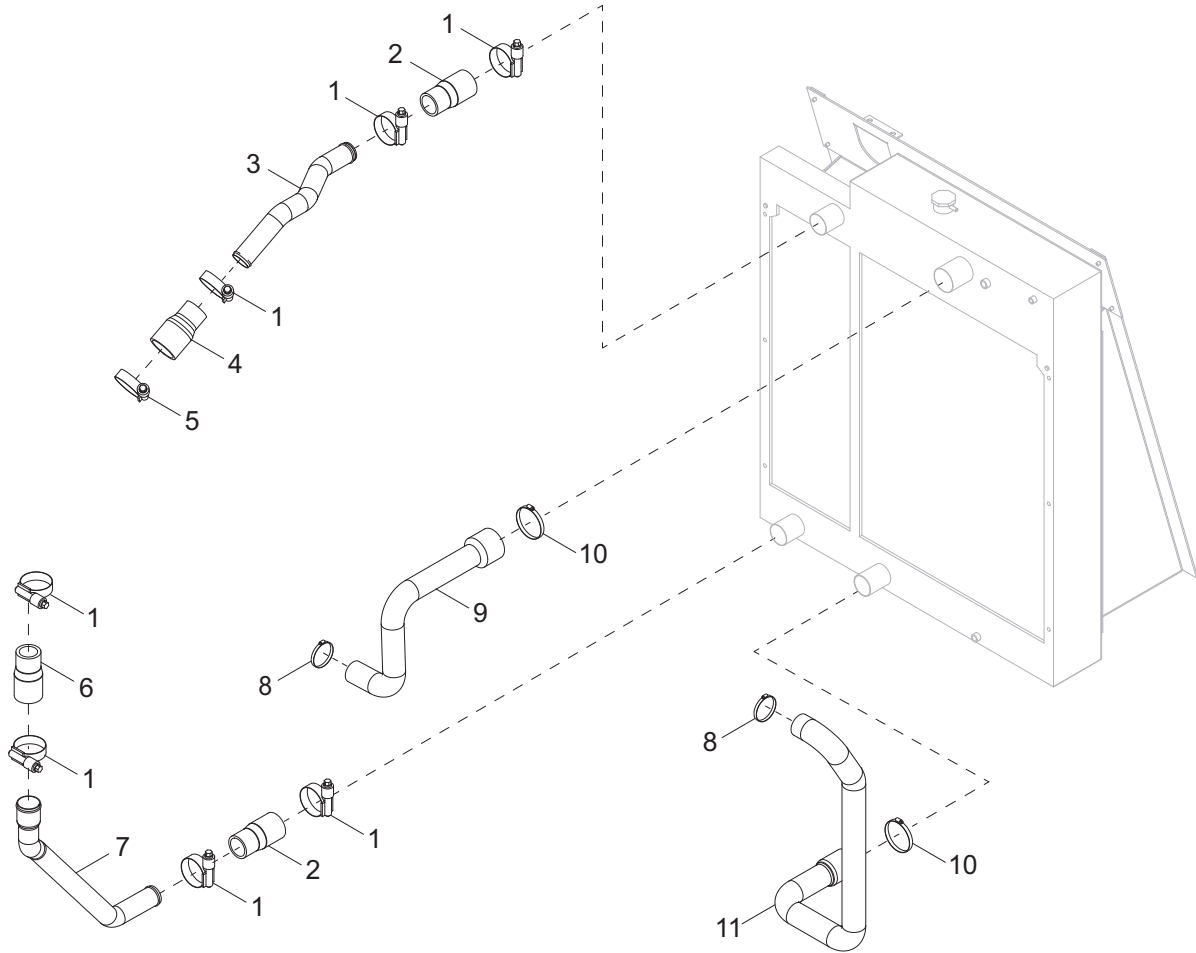
01110



## COOLING SYSTEM ASSEMBLY

Item	Part No.	Qty	Description	Notes
1	37442B	1	ASSEMBLY, BULKHEAD	
2	60687	6	SCREW, .312-18 X .750 STD HEX, SS	
3	60701	12	WASHER, .312 SPLIT LOCK, SS	
4	60340	23	WASHER, .312 FLAT .875/.040, SS	
5	27675	1	RADIATOR	
6	60776	1	FITTING, PLUG - .250NPT HEX HEAD, BRASS	
7	68206	1	SENSOR, LOW COOLANT - WET SINKING	
8	62032	1	VALVE, BALL - .375NPTF, MINI	
9	14216	2	CLAMP, HOSE - SAE 004 (.21-.62) MINIATURE	
10	50018	.85 ft	HOSE, FUEL - .312 ID, 50 PSI, SAE 30R7	
11	37460B	1	GUARD, RIGHT	
12	60654	11	SCREW, .312-18 X 1.0 BUTTON HEX, SS	
13	60161	14	NUT, .250-20 SER. FLANGE, G5	
14	37471B	6	BRACKET, FAN GUARD	
15	15425	6	NUT, .312-18 CAGE	
16	60616	6	SCREW, .312-18 X .750 SER. FLANGE HEX, G5	
17	33678B	2	SHROUD, RADIATOR	
18	37060B	1	PANEL, FAN SHROUD - RIGHT	
19	60175	18	SCREW, .250-20 X .500 SER. FLANGE HEX, G5	
20	26211B	1	BRACKET, OVERFLOW JUG	
21	63192	2	CLAMP, CRIMPING BAND - .464 IN	
22	62132	2	INSERT, THREADED.027-.165 GRIP	
23	24952	1	JUG, OVERFLOW - 2.5 QT	
24	19714	1	CAP, OVERFLOW JUG	
25	50018	1.67 ft	HOSE, FUEL - .312 ID, 50 PSI, SAE 30R7	
26	37059B	1	PANEL, FAN SHROUD - LEFT	
27	15424	2	NUT, .250-20 CAGE, G5	
28	37459B	1	GUARD, LEFT	
29	A0001609542	2	FOAM, CAC SEALING - TOP/BOTTOM	
30	60507	6	SCREW, .312-18 X 1.0 STD HEX, SS	
31	19219	1	CAP, RADIATOR PRESSURE - 14.7 PSI	
--	A0001609545	1	ASSEMBLY, COOLING SYSTEM	

# COOLING SYSTEM HOSES

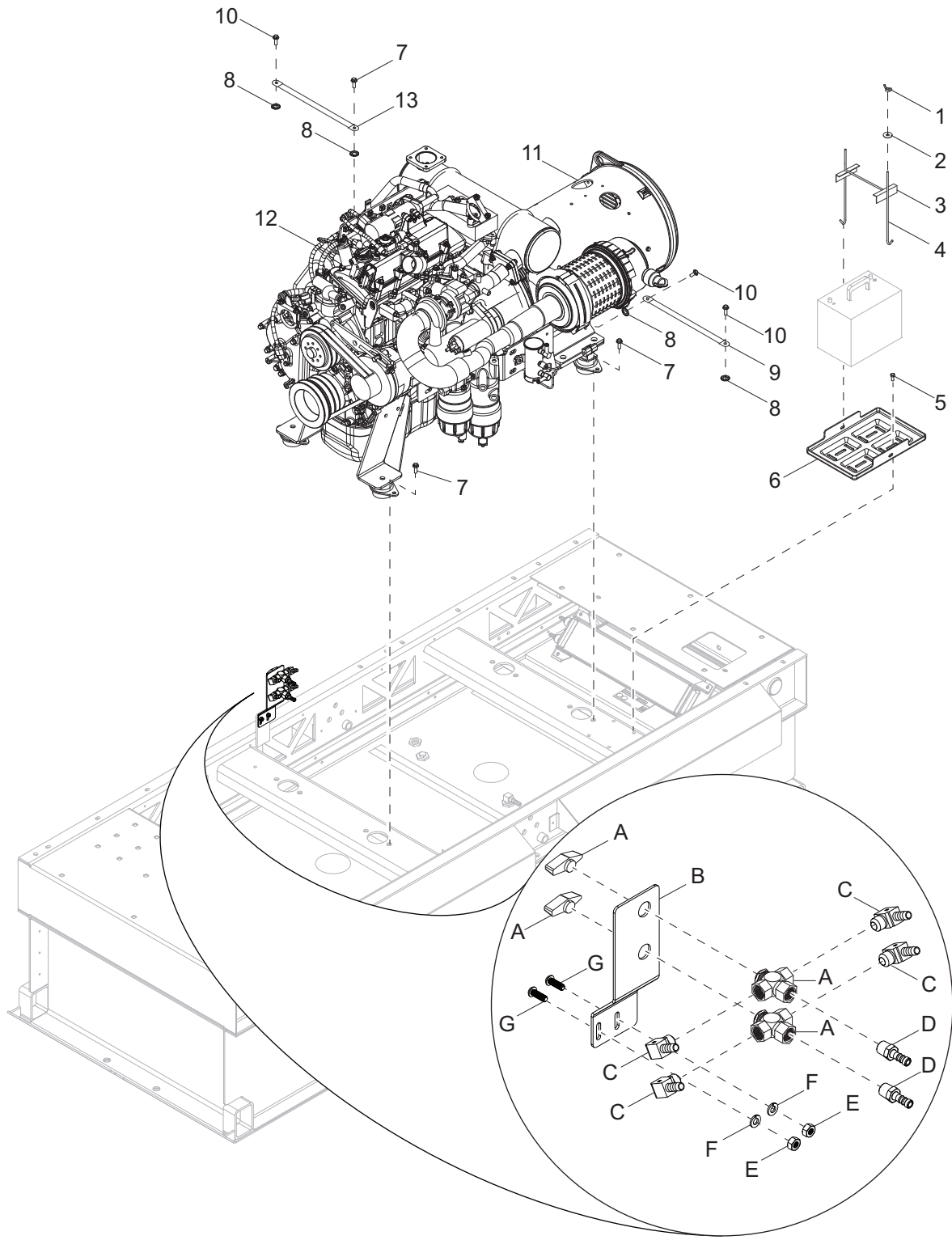


01111

## COOLING SYSTEM HOSES

Item	Part No.	Qty	Description	Notes
1	60663	7	CLAMP, HOSE - CONSTANT TORQUE 1.25-2.13	
2	33815	2	HOSE, CAC - 1.50 X 1.75 X 4.0L	
3	36828	1	PIPE, CAC - OUT	
4	32848	1	HOSE, CAC - 1.50 X 2.0 X 4.0L	
5	60660	1	CLAMP, HOSE - CONSTANT TORQUE 1.75-2.625	
6	33814	1	HOSE, CAC - 1.38 X 1.75 X 4.0L	
7	36826	1	PIPE, CAC - IN	
8	60316	2	CLAMP, HOSE - SAE 032 (1.56-2.50)	
9	36831	1	HOSE, RADIATOR - UPPER	
10	15422	2	CLAMP, HOSE - SAE 020 (.75-1.75)	
11	36830	1	HOSE, RADIATOR - LOWER	

# ENGINE AND GENERATOR TO SKID ASSEMBLY



03841

## ENGINE AND GENERATOR TO SKID ASSEMBLY

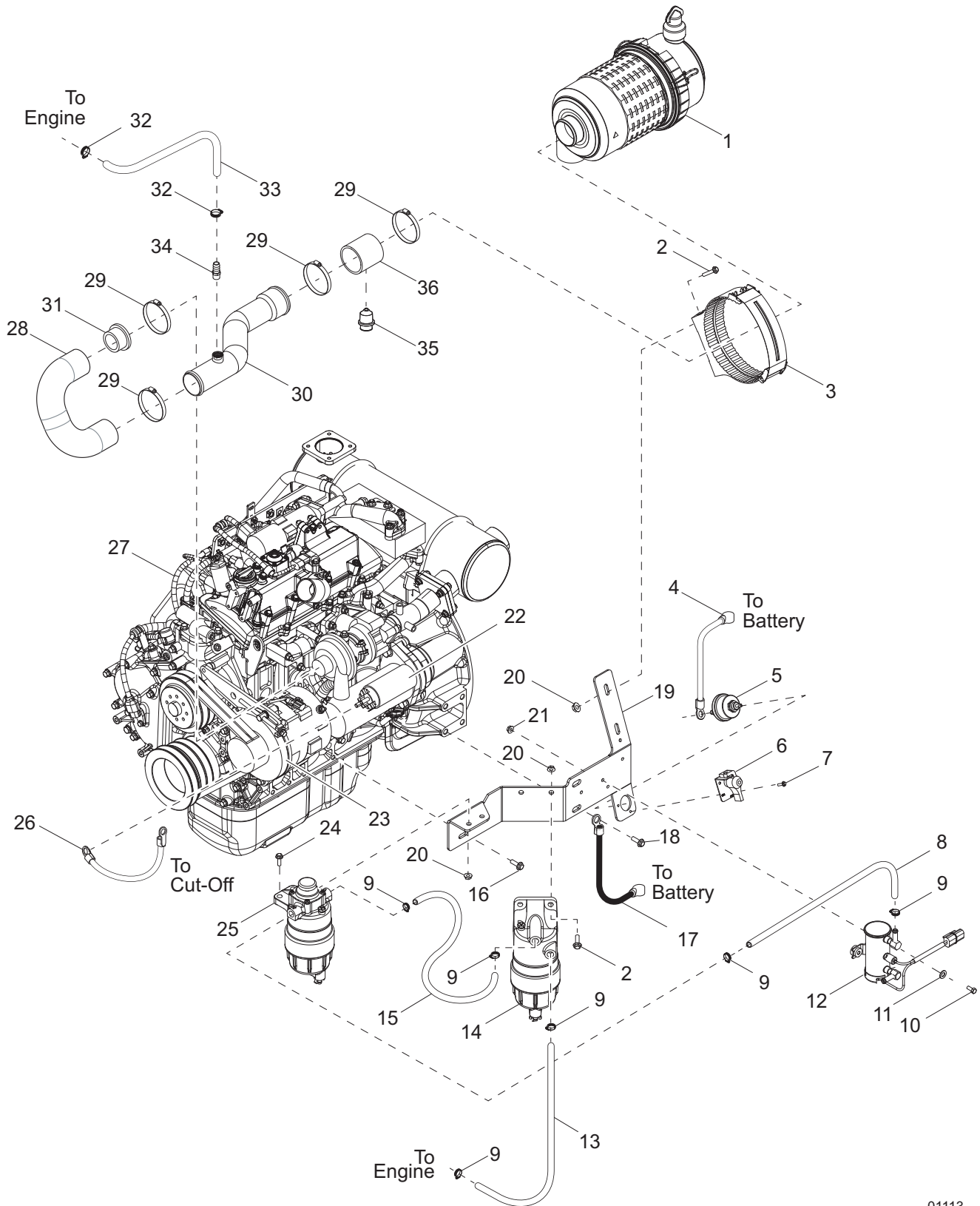
Item	Part No.	Qty	Description	Notes
1	60090	2	NUT, .250-20 WING, G5	Included w/item 4
2	60089	2	WASHER, .265 FENDER 1.250/.060	Included w/item 4
3	14682	1	BRACKET, BATTERY HOLD-DOWN	
4	60820	2	BOLT, J - .250-20 X 9.0	
5	61091	4	SCREW, .312-18 X 1.0 SERRATED FLANGE HEX, G5	
6	14145	1	BATTERY TRAY	
7	60018	9	SCREW, M10-1.50 X 20 SERRATED FLANGE HEX,	
8	60053	4	WASHER, .375 EXTERNAL STAR	
9	19042	1	STRAP, BRAIDED GROUND - 10 IN	
10	60353	3	SCREW, .375-16 X 1.0 FLG HEX, SELF TAPPING, G2	
11	A0001700430	1	ASSEMBLY, GENERATOR	<a href="#">Page 54</a>
12	A0001700434	1	ASSEMBLY, ENGINE	<a href="#">Page 48</a>
13	22438	1	STRAP, BRAIDED GROUND - 16 IN. (.500 HOLE)	
--	33766	1	HARNESS, ISUZU ENGINE	
--	68167	1	HARNESS, MAIN	
--	68112	1	HARNESS, ENGINE EXTENSION	

### OPTIONAL FEATURES

*Three Way Fuel Valve: (if equipped)*

A	10000014933	2	VALVE BALL 3 PORT .375 NPTF BRASS
B	10000014831	1	STOR BRACKET, 3-WAY VALVE
C	62145	4	FITTING, 90° -.375MNPT X .375 BARB BRASS
D	25082	2	FITTING, STRT-.375MNPTX.375 BARB
E	60538	2	NUT, .250-20 HEX 18-8 SS
F	60704	2	WASHER, .250 SPLIT LOCK 18-8 SS
G	32441	2	SCREW, .250-20X.750 PIN-IN-TORX SS

# ENGINE ASSEMBLY

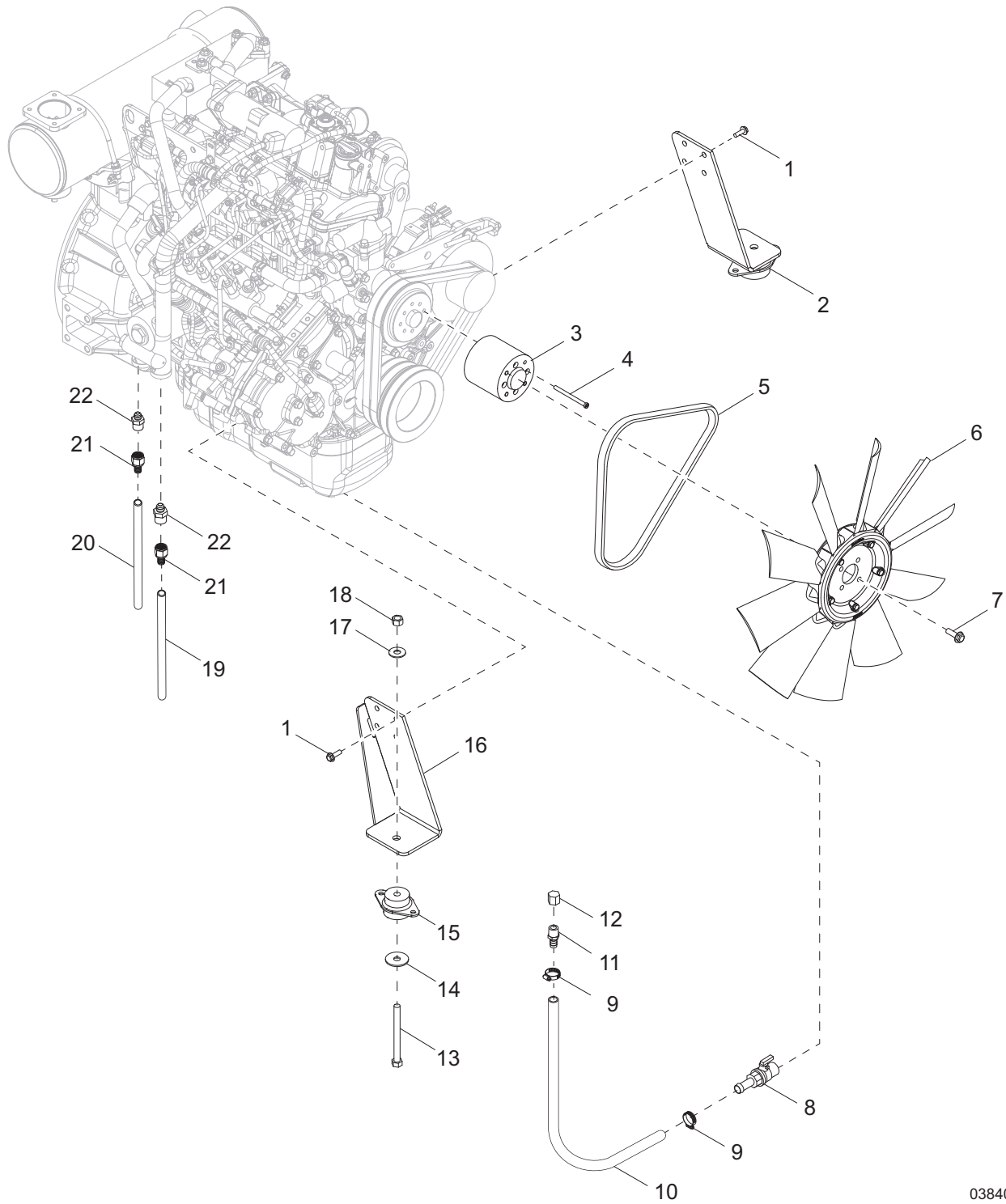


01113

## ENGINE ASSEMBLY

Item	Part No.	Qty	Description	Notes
1	35959	1	FILTER, AIR	
2	61091	4	SCREW, .312-18 X 1.0 SER. FLANGE HEX, G5	
3	37480	1	BRACKET, AIR FILTER	
4	65687	1	CABLE, BATTERY - 24 IN., 2GA, RED, 3/8 IN. LUG	
5	65498	1	SWITCH, DISCONNECT	
6	65499	1	KIT, SWITCH LOCKOUT LEVER	
7	60277	2	SCREW, 10-32 X .500 PAN PHILLIPS, G2	
8	50051	1.5 ft	HOSE, FUEL - .375 ID, 50 PSI, SAE 30R7	
9	19453	6	CLAMP, HOSE - SAE 006 (.37-.87)	
10	60393	2	SCREW, .250-20 X 1.0 STD HEX, G5	
11	60243	2	WASHER, .250 FLAT .735/.060	
12	33764	1	PUMP, FUEL	
13	50051	3.33 ft	HOSE, FUEL - .375 ID, 50 PSI, SAE 30R7	
14	36904	1	ELEMENT, FUEL FILTER - FINAL	
15	50051	1.25 ft	HOSE, FUEL - .375 ID, 50 PSI, SAE 30R7	
16	60018	1	SCREW, M10-1.50 X 20 SER. FLANGE HEX,	
17	65686	1	CABLE, BATTERY - 245 IN., 2GA, BLACK, 1/2 IN. LUG	
18	60072	2	SCREW, M12-1.75 X 25 SER. FLANGE HEX, G10.9	
19	37779B	1	BRACKET, FUEL PUMP/FILTER	
20	60095	6	NUT, .312-18 SER. FLANGE	
21	60161	2	NUT, .250-20 SER. FLANGE, G5	
22	N/A	1	STARTER	
23	36661	1	ALTERNATOR	
24	60516	2	SCREW, .312-18 X 1.250 SER. FLANGE HEX	
25	36905	1	ELEMENT, FUEL FILTER - PRIMARY	
26	68265	1	CABLE, BATTERY - 22 IN., 2GA, RED, 3/8 IN. - 3/8 IN	
27	33981	1	ENGINE, ISUZU - 4LE2XAGV01, T4F, SAE #4	
28	37065	1	HOSE, AIR INTAKE - ENGINE INLET	
29	60316	4	CLAMP, HOSE - SAE 032 (1.56-2.50)	
30	37448	1	WELDMENT, AIR INTAKE PIPE	
31	33782	1	INSERT, HOSE REDUCER - 1.50-2.0	
32	60365	2	CLAMP, HOSE - SAE 010 (.56-1.06)	
33	50201	1.83 ft	HOSE, .625 IN., 200 PSI, CLASS A	
34	25931	1	FITTING, STRT - .375NPT X .625 BARB	
35	24518	1	GAUGE, FILTER RESTRICTION	
36	37787	1	HOSE, STRAIGHT CONNECTION W/PORT	
--	35962	1	ELEMENT, AIR FILTER	
--	36663	1	THERMOSTAT	
--	A0001609552	1	ASSEMBLY, BATTERY CONNECTION	

# ENGINE ASSEMBLY - RIGHT SIDE



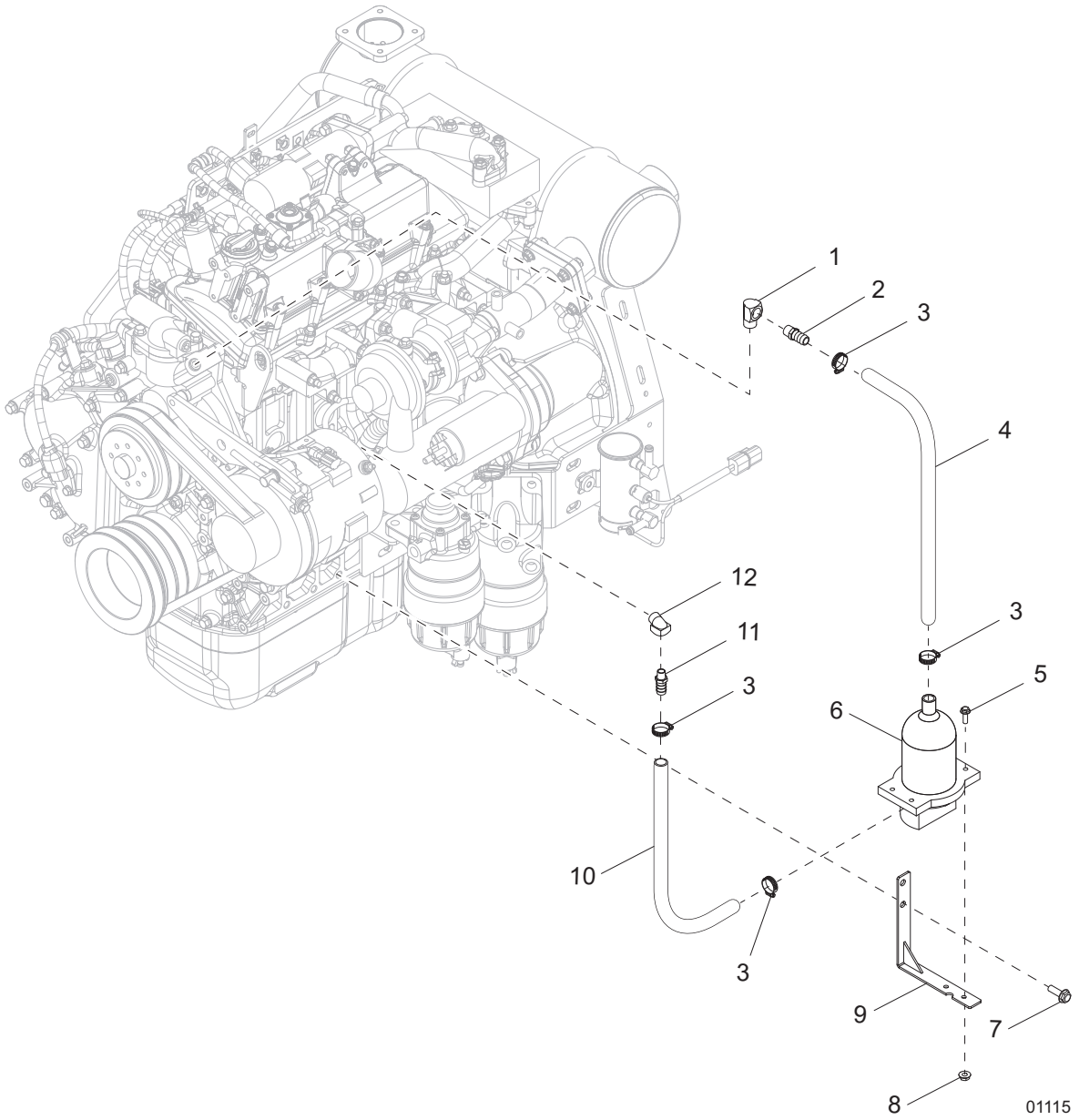
03840



## ENGINE ASSEMBLY - RIGHT SIDE

Item	Part No.	Qty	Description	Notes
1	60018	8	SCREW, M10-1.50 X 20 SER. FLANGE HEX	
2	33648B	1	WELDMENT, ENGINE MOUNT - LEFT	
3	36817	1	SPACER, FAN	
4	68360	4	SCREW, M6-1.0 X 90 SOC HEX, G12.9	
5	51099	1	BELT, FAN	
6	33779	1	FAN, ENGINE - 19.0	
7	60616	4	SCREW, .312-18 X .750 SER. FLANGE HEX, G5	
8	31408	1	VALVE, DRAIN - 24MM-2.0 W/NIPPLE	
9	60365	2	CLAMP, HOSE - SAE 010 (.56-1.06)	
10	50201	4 ft	HOSE, .625 IN., 200 PSI, CLASS A	
11	25931	1	FITTING, STRT - .375NPT X .625 BARB	
12	19300	1	FITTING, .375FNPT CAP HEX	
13	62221	2	NUT, .500-13 NYLOCK, G5	
14	18085	2	WASHER, .510 SNUBBER 2.0/.130	
15	22788	2	ISOLATOR, RUBBER - 350 LBS	
16	33647B	1	WELDMENT, ENGINE MOUNT - RIGHT	
17	60416	2	WASHER, .500 FLAT 1.375/.090	
18	62221	2	NUT, .500-13 NYLOCK, G5	
19	50730	1.67 ft	HOSE, .500 ID, 300 PSI, HI-TEMP	
20	50730	1.75 ft	HOSE, .500 ID, 300 PSI, HI-TEMP	
21	62203	2	FITTING, STRT - .750-16 JIC X #8 PUSH-LOCK	
22	N/A	2	FITTING, STRT - .750-14BSPP X .750-16 JIC	
--	36660	1	CAP, OIL	
--	36658	1	DIPSTICK	
--	36351	1	PLUG, OIL	
--	36352	1	GASKET, OIL PLUG	
--	36657	1	SENSOR, COOLANT TEMPERATURE	
--	36656	1	SENSOR, OIL PRESSURE	
--	36368SRV	1	SENSOR, AIR TEMPERATURE	

# HOT START ASSEMBLY OPTION

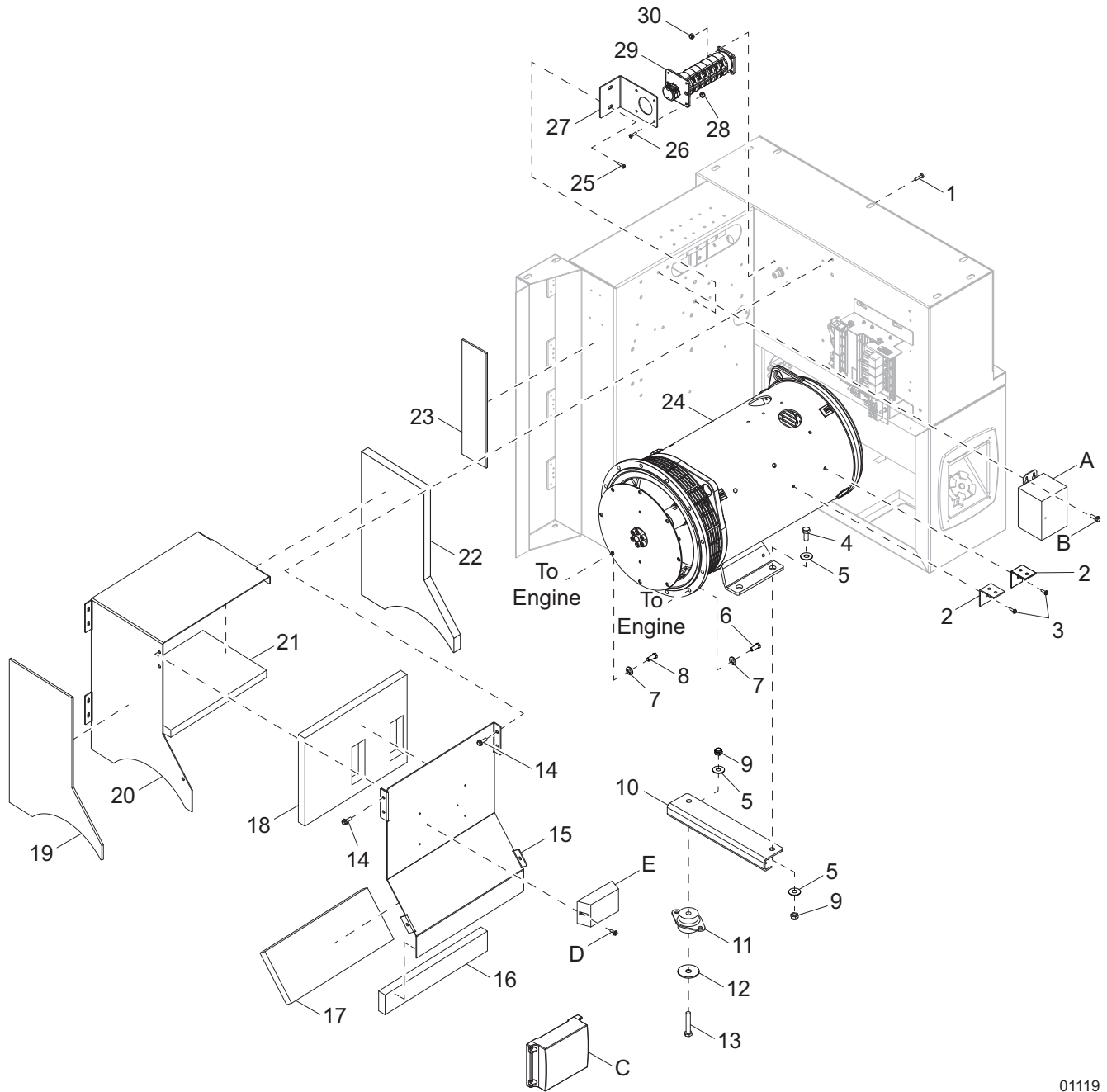


## HOT START ASSEMBLY OPTION

---

Item	Part No.	Qty	Description	Notes
1	15396	1	FITTING, 90° - .375MNPT X .375FNPT, BRASS	
2	25931	1	FITTING, STRAIGHT - .375NPT X .625 BARB	
3	60365	4	CLAMP, HOSE - SAE 010 (.56-1.06)	
4	50201	1.5 ft	HOSE, .625, 200 PSI, CLASS A	
5	60479	2	SCREW, .250-20 X 1.0 SERRATED FLANGE HEX, G5	
6	25914	1	HEATER, COOLANT	
7	60018	2	SCREW, M10-1.50 X 20 SERRATED FLANGE HEX G9	
8	60161	2	NUT, .250-20 SERRATED FLANGE, G5	
9	37958B	1	WELDMENT, HOT START BRACKET	
10	50201	1.33 ft	HOSE, .625, 200 PSI, CLASS A	
11	25917	1	FITTING, STRT - .250NPT X .625 BARB	
12	33894	1	FITTING, 45° - .250MNPT X .250FNPT	
--	68333	1	CORD GRIP, .230-.395 CORD, .750 HOLE - SNAP-IN	
--	68334	1	O-RING, .612 ID X .103 TH, SIZE 114	
--	68336	1	WIRE GROUP - 500W HEATER	
--	A0001618892	1	ASSEMBLY, HOT START	

# GENERATOR ASSEMBLY

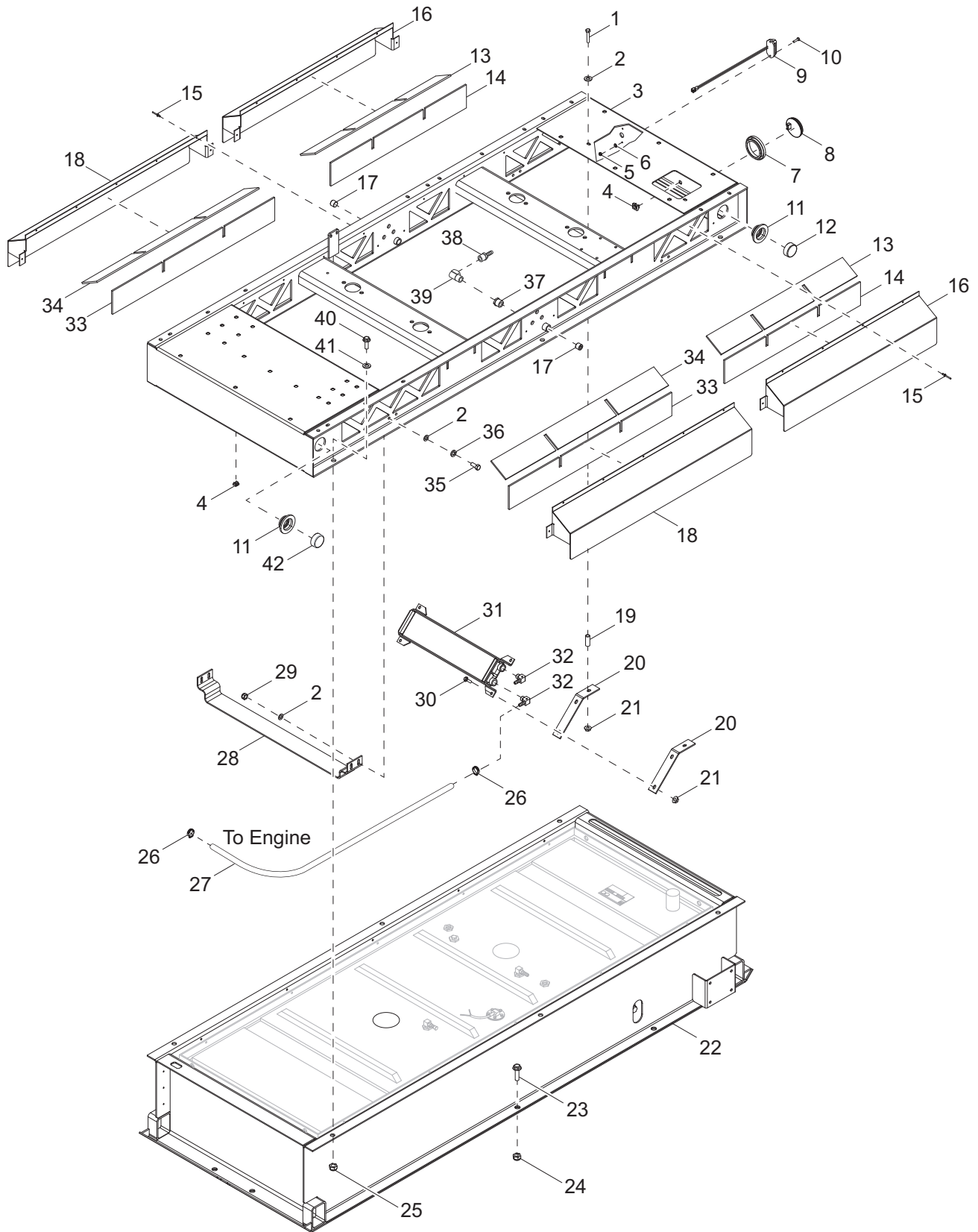


01119

## GENERATOR ASSEMBLY

Item	Part No.	Qty	Description	Notes
1	60046	4	SCREW, 6-32 X .750 PAN PHILLIPS, G2	
2	37819B	2	BRACKET, HARNESS MOUNTING	
3	60115	2	SCREW, M6-1.0 X 12 SERRATED FLANGE HEX, G8.8	
4	61101	2	SCREW, .500-13 X 1.50 STD HEX, G8	
5	60416	6	WASHER, .500 FLAT 1.375/.090	
6	60055	12	SCREW, M10-1.50 X 35 STD HEX, G10.9	
7	60026	20	WASHER, M10 SPLIT LOCK	
8	63338	8	SCREW, M10-1.50 X 20 HEX, G10.9	
9	62221	4	NUT, .500-13 NYLOCK, G5	
10	36899B	1	BRACKET, GENERATOR MOUNT ADAPTER	
11	22788	2	ISOLATOR, RUBBER - 350 LBS	
12	18085	2	WASHER, .510 SNUBBER 2.0/.130	
13	61094	2	SCREW, .500-13 X 3.50 STD HEX, G8	
14	60175	12	SCREW, .250-20 X .500 SER FLANGE HEX, G5	
15	37566W	1	PANEL, GENERATOR COVER - FRONT	
16	A0001617902	1	FOAM, GENERATOR BOX - FRONT BOTTOM	
17	A0001617806	1	FOAM, GENERATOR BOX - FRONT MIDDLE	
18	A0001617805	1	FOAM, GENERATOR BOX - FRONT TOP	
19	A0001618886	1	FOAM, GENERATOR BOX - CERAMIC	
20	35390W	1	PANEL, GENERATOR COVER - SIDE-TOP	
21	A0001618007	1	FOAM, GENERATOR BOX - TOP	
22	A0001618005	1	FOAM, GENERATOR BOX - SIDE	
23	A0001618887	1	FOAM, AC BOX - CERAMIC	
24	10000046953	1	GENERATOR, MARATHON, 285PSL1700, SAE #4	
25	60616	2	SCREW, .312-18 X .750 SER FLANGE HEX, G5	
26	60277	4	SCREW, 10-32 X .500 PAN PHILLIPS, G2	
27	35391W	1	BRACKET, PHASE SWITCH	
28	60061	4	NUT, 10-32 NYLOCK	
29	37193	1	SWITCH, PHASE - 80A, 3 POSITION (Y,Y,Z)	
30	60728	4	NUT, 6-32 NYLOCK, G5	
--	68162	1	WIRE GROUP - AC, 3 POSITION	
--	A0001617790	1	ASSEMBLY, GENERATOR COVER	Items 15 & 20
--	65519	1	BLOCK, TERMINAL - 4 POLE, STUD TYPE	
--	28628B	1	PLATE, TERMINAL BLOCK MOUNTING	
<b>OPTIONAL FEATURES</b>				
<i>Buck Transformer: (if equipped)</i>				
A	21487	1	TRANSFORMER, 1.13:1 1-PHASE, 500VA	
B	60528	3	SCREW, .250-20 X .625 SER. FLANGE HEX, G5	
--	68193	1	WIRE GROUP - BUCK TRANSFORMER	
<i>Battery Chargers: (if equipped)</i>				
C	66212	1	CHARGER, BATTERY - 2 - 5A/1 - 10A, 3 STAGE,	
D	60419	2 or 4	SCREW, 6-32 X .500 FLANGE HEX, G2, SELF-TAP	2 for E & 4 for C
E	66212	1	CHARGER, BATTERY - 2A, 3 STAGE, 1 OUTPUT	
<i>4 Position Phase Switch: (if equipped)</i>				
--	37194	1	SWITCH, PHASE - 80A, 4 POSITION (Y,Y,D,Z)	
--	68163	1	WIRE GROUP - AC, 4 POSITION	
<i>4 Position Phase Switch - 600V: (if equipped)</i>				
--	37144	1	WIRE GROUP - 80A, 4 POSITION (600Y,Y,Y,Z)	

# SKID ASSEMBLY

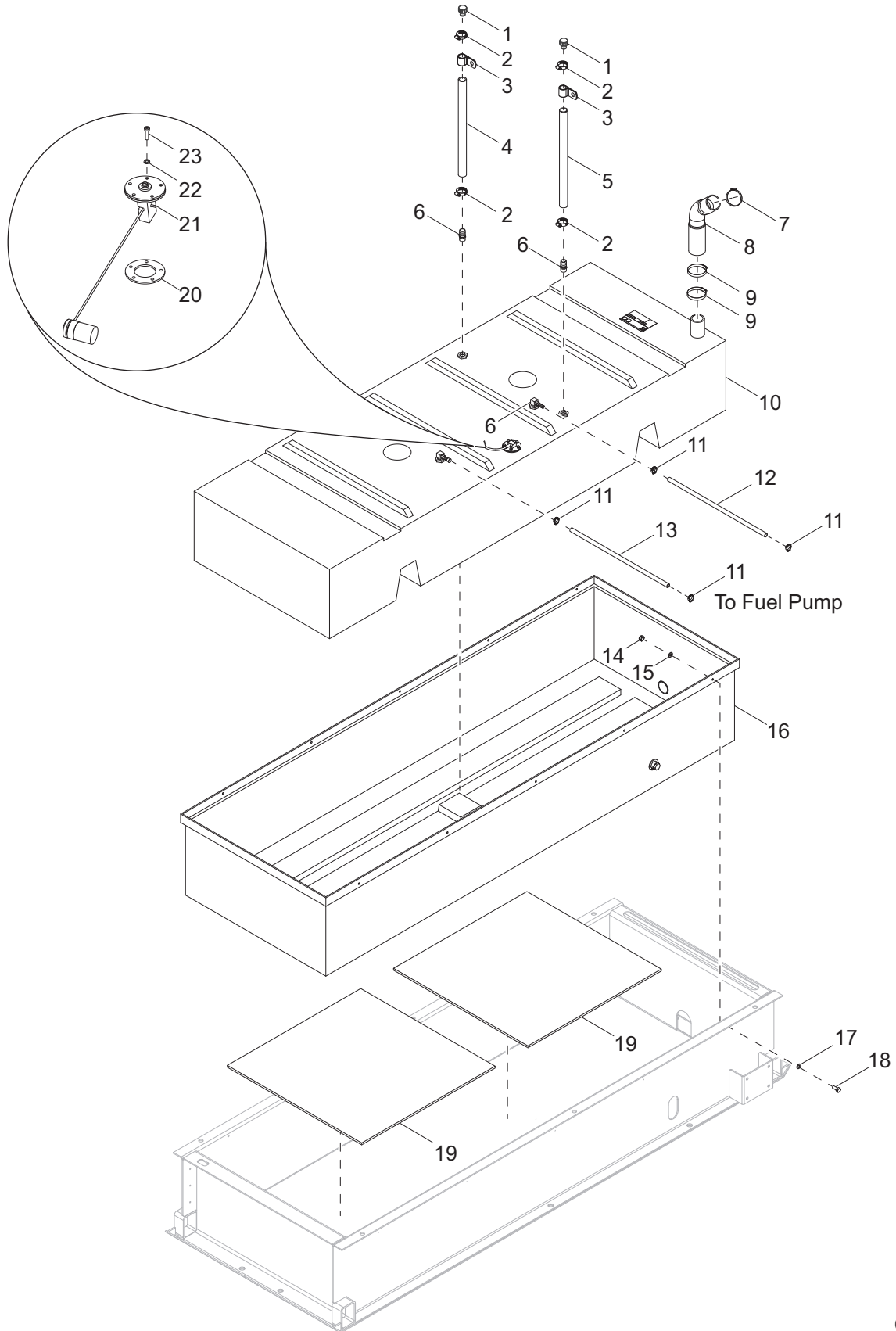


01120

## SKID ASSEMBLY

Item	Part No.	Qty	Description	Notes
1	63318	2	SCREW, .312-18 X 3.0 STD HEX, SS	
2	60340	18	WASHER, .312 FLAT .875/.040, SS	
3	36925B	1	WELDMENT, MINI SKID	
4	15425	13	NUT, .312-18 CAGE	
5	60270	2	NUT, 8-32 NYLOCK, CLASS 6	
6	60269	2	WASHER, #8 FLAT .433/.036	
7	10221	2	GROMMET, REAR LIGHT, RUBBER - 4.5 IN	
8	66701	2	LIGHT, REAR TAIL/TURN, ROUND 4 IN.	NO GROMMET
9	36963	1	ASSEMBLY, LICENSE PLATE LIGHT	
10	60694	2	SCREW, 8-32 X .750 PAN PHILLIPS, SS	
11	66394	4	GROMMET, SEALED BEAM LIGHT, RUBBER - 2.0 IN	
12	66703	2	LIGHT, CLEARANCE, NO GROMMET, 2.0". RED LED	
13	A0001617795	2	FOAM, RAIN SHIELD - SMALL TOP	
14	A0001617791	2	FOAM, RAIN SHIELD - SMALL BOTTOM	
15	60260	26	RIVET, .188 DIA. X .375 TO .500 GRIP, SS	
16	A0001050172	2	WELDMENT, RAIN SHIELD - SHORT	
17	18394	2	FITTING, PLUG - .500NPT X INTERNAL HEX	
18	A0001050171	2	WELDMENT, RAIN SHIELD - LONG	
19	30558B	2	SPACER, .750 OD, .51 ID, 2.0 LONG	
20	36386B	2	BRACKET, FUEL COOLER	
21	60095	6	NUT, .312-18 SERRATED FLANGE	
22	36921B	1	WELDMENT, LOWER SKID	
23	63111	6	SCREW, .750-10 X 2.250 FLANGE HEX, G8	
24	60584	6	NUT, .750-10 NYLOCK, G5	
25	60240	6	NUT, .625-11 NYLOCK, G5	
26	19453	2	CLAMP, HOSE - SAE 006 (.37-.87)	
27	50051	5 ft	HOSE, FUEL - .375 ID, 50 PSI, SAE 30R7	
28	36985B	2	BRACKET, FUEL TANK TIE DOWN	
29	60303	8	NUT, .312-18 NYLOCK, G2	
30	60616	4	SCREW, .312-18 X .750 SERR FLANGE HEX, G5	
31	33700	1	COOLER, FUEL	
32	62145	2	FITTING, 90° - .375MNPT X .375 BARB, BRASS	
33	A0001617797	2	FOAM, RAIN SHIELD - LARGE BOTTOM	
34	A0001617803	2	FOAM, RAIN SHIELD - LARGE TOP	
35	60507	8	SCREW, .312-18 X 1.0 STD HEX, SS	
36	60701	8	WASHER, .312 SPLIT LOCK, SS	
37	22570	1	FITTING, STRT - .500MNPT X .375FNPT	
38	19180	1	FITTING, STRT - .375MNPT X .312 BARB	
39	15396	1	FITTING, 90° - .375MNPT X .375FNPT, BRASS	
40	61069	6	SCREW, .625-11 X 1.750 STD HEX, G5	
41	60193	6	WASHER, M16 FLAT	
42	66702	2	LIGHT, CLEARANCE,, 2.0 IN. - AMBER LED	NO GROMMET
--	67856	1	HARNESS, TRAILER EXTENSION ASSEMBLY-100 IN	
--	68281	1	HARNESS, TRAILER LIGHTS - LED	

# FUEL TANK ASSEMBLY



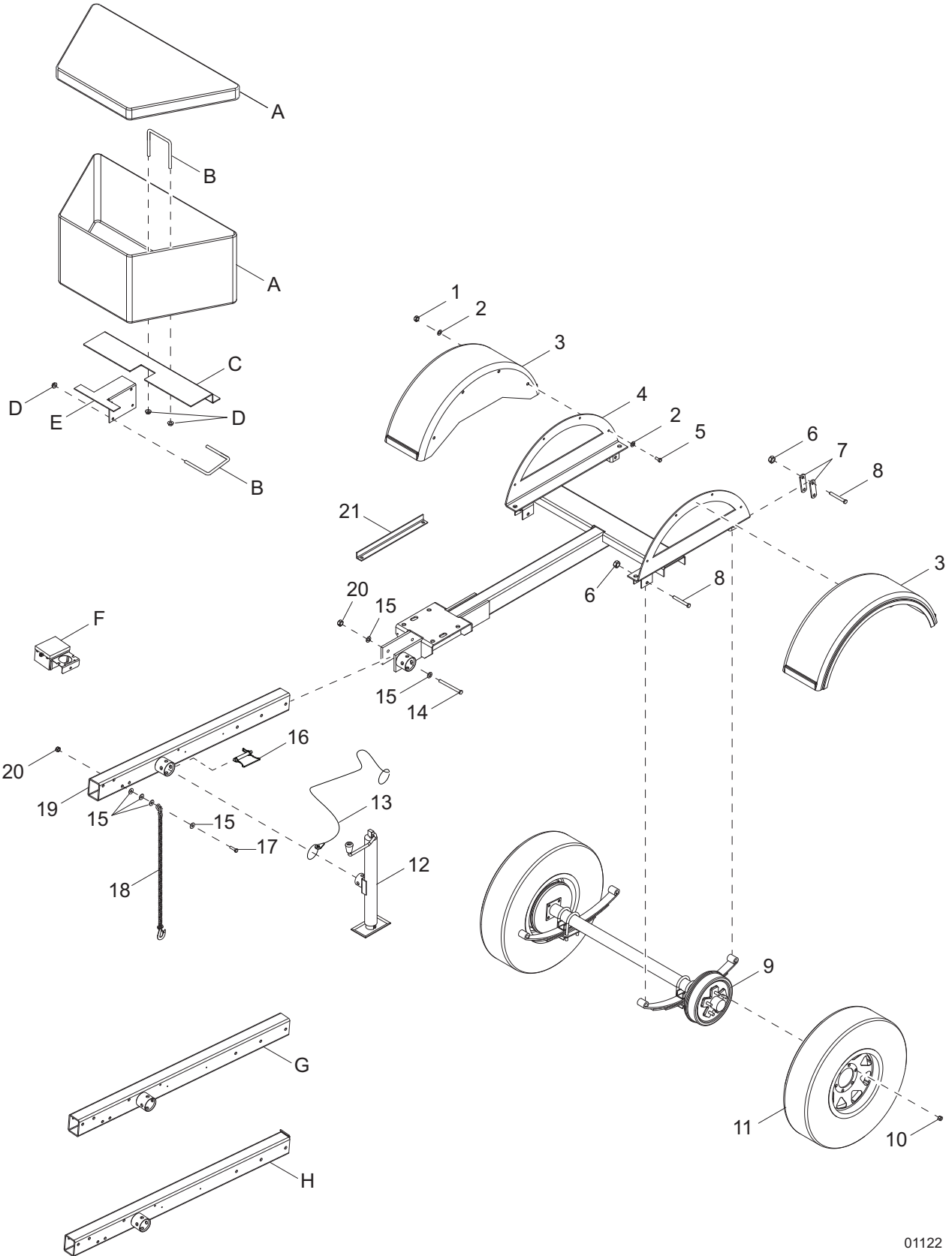
02668



## FUEL TANK ASSEMBLY

Item	Part No.	Qty	Description	Notes
1	26379	2	VENT, PLASTIC FUEL - 1.0 ID	
2	19338	4	CLAMP, HOSE - SAE 016 (.68-1.50)	
3	60716	2	CLAMP, TUBING - 1.50 LIGHT DUTY	
4	50019	3 ft	HOSE, FUEL - 1.0, SAE 20R3	
5	50019	3 ft	HOSE, FUEL - 1.0, SAE 20R3	
6	25496	2	FITTING, STRT - .750MNPT X 1.0 BARB, BRASS	
7	19336	1	CLAMP, HOSE - SAE 044 (2.31-3.25)	
8	37630	1	HOSE, FUEL FILL	
9	18663	2	CLAMP, HOSE - SAE 060 (3.31-4.25)	
10	37052	1	TANK, FUEL - 100 GAL. POLY	
11	19453	4	CLAMP, HOSE - SAE 006 (.37-.87)	
12	50051	2 ft	HOSE, FUEL - .375 ID, 50 PSI, SAE 30R7	
13	50051	2.33 ft	HOSE, FUEL - .375 ID, 50 PSI, SAE 30R7	
14	60144	10	NUT, .250-20 NYLOCK, G5	
15	60243	10	WASHER, .250 FLAT .735/.060	
16	37053	1	PAN, 24 HR CONTAINMENT, POLY	
17	60696	10	WASHER, .250 FLAT .625/.050, SS	
18	60620	10	SCREW, .250-20 X 1.0 STANDARD HEX, SS	
19	10000036134	2	FOAM, NEOPRENE, CONTAINMENT LINER	
20	22323	1	GASKET, FUEL SENDER	
21	36243	1	FUEL SENDER	
22	60252	5	WASHER, #10 SPLIT LOCK	
23	60062	5	SCREW, 10-32 C .750 PAN PHILLIPS, G2	
--	60479	2	SCREW, .250-20 X 1.0 SERRATED FLANGE HEX, G5	To attach item 3
--	60161	2	NUT, .250-20 SERRATED FLANGE, G5	To attach item 3

# TRAILER ASSEMBLY - SINGLE AXLE



01122

## TRAILER ASSEMBLY - SINGLE AXLE

Item	Part No.	Qty	Description	Notes
1	60358	8	NUT, .375-16 NYLOCK, G5	
2	60698	16	WASHER, .375 FLAT .875/.040, SS	
3	11381	2	FENDER, PLASTIC - SINGLE, 14 IN. TIRE	
4	37092B	1	WELDMENT, TRAILER CHASSIS	
5	61036	8	SCREW, .375-16 X 1.25 STANDARD HEX, SS	
6	60504	6	NUT, .562-18 LOCK HEX, G5	
7	19637	4	PLATE, SHACKLE BRACKET - 3.125 IN	
8	60503	6	SCREW, SHACKLE - .562-18 X 3.0 STD HEX, G5	
9	51098	1	AXLE, 6000LB HYDRUALIC	
10	60096	10	NUT, .500-20 LUG, G5	
11	18377B	2	WHEEL, ST225/75R15, 2540 LB	
12	13051	1	JACK, TOP WIND - 2000 LB, TUBE MOUNTED	
13	12647	1	CABLE, TETHER - JACK PIN	
14	61104	3	SCREW, .500-13 X 5.50 STANDARD HEX, G8	
15	60416	14	WASHER, .500 FLAT 1.375/.090	
16	23256	1	PIN, JACK - 2000 LB TUBE MOUNTED	
17	60376	2	SCREW, .500-13 X 4.50 STANDARD HEX, G5	
18	23367	2	CHAIN, SAFETY - 7800 LBS RATED	
19	24812B	1	WELDMENT, TONGUE - NON-ADJUSTABLE	
20	62221	5	NUT, .500-13 NYLOCK, G5	
21	24691B	1	BRACE, TONGUE SHIPPING	
--	61103	1	SCREW, .500-13 X 1.750 SERRATED FLG HEX, G8	To attach item 21
--	62221	1	NUT, .500-13 NYLOCK, G5	To attach item 21

### OPTIONAL FEATURES

#### *Toolbox: (if equipped)*

A	32214	1	TOOLBOX, TRAILER FRONT - 49 X 15 X 18.5 POLY
B	62021	2	BOLT, U - .375-16 X 4.0 X 4.625
C	37693B	1	BRACKET, TOOLBOX MOUNT
D	60145	4	NUT, .375-16 SERRATED FLANGE, G5
E	37694B	1	BRACKET, TOOLBOX MOUNT

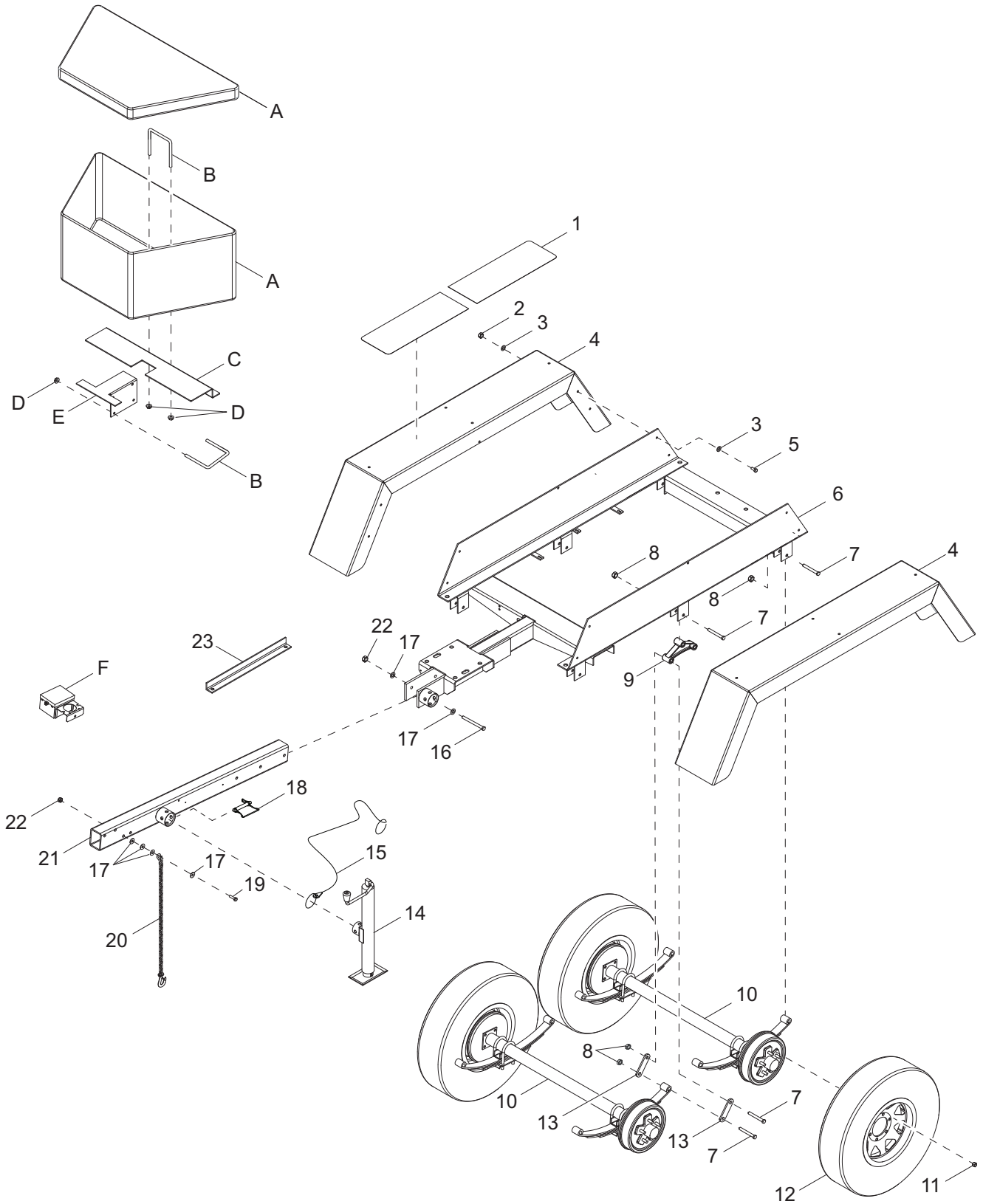
#### *Electric Brakes: (if equipped)*

F	19417	1	BREAKAWAY KIT
--	19438	1	HARNESS, WIRING - ELECTRIC BRAKES
--	65899	1	HARNESS, ELECTRIC BRAKE

#### *Adjustable Hitch Tongues: (if equipped)*

G	30931B	1	WELDMENT, TONGUE W/SUPPORT PLATE - ELECTRIC BRAKE
H	35075B	1	WELDMENT, FLIP TONGUE - SURGE BRAKE

# TRAILER ASSEMBLY - TANDEM AXLE



01214

## TRAILER ASSEMBLY - TANDEM AXLE

Item	Part No.	Qty	Description	Notes
1	22398	4	PAD, SLIP RESISTANT - 10.0 X 28.0	
2	60358	10	NUT, .375-16 NYLOCK, G5	
3	60698	20	WASHER, .375 FLAT .875/.040, SS	
4	22976B	2	WELDMENT, FENDER TANDEM	
5	61036	10	SCREW, .375-16 X 1.25 STANDARD HEX, SS	
6	24789B	1	WELDMENT, FLIP TONGUE TRAILER - TANDEM	
7	60503	14	SCREW, SHACKLE, .562-18 X 3.0 STD HEX, G5	
8	60504	14	NUT, .562-18 LOCK, G5	
9	40545	2	EQUALIZER, TANDEM AXLE - 5.625 CENTERS	
10	19421	2	AXLE, 3500LB HYDRAULIC	
11	60096	20	NUT, .500-20 LUG, G5	
12	15540	4	WHEEL, ST205/75R15, 1598 LB - 6 PR	
13	19637	8	PLATE, SHACKLE BRACKET - 3.125 IN	
14	13051	1	JACK, TOP WIND - 2000 LB, TUBE MOUNTED	
15	12647	1	CABLE, TETHER - JACK PIN	
16	61104	3	SCREW, .500-13 X 5.50 STANDARD HEX, G8	
17	60416	14	WASHER, .500 FLAT 1.375/.090	
18	23256	1	PIN, JACK - 2000 LB, TUBE MOUNTED	
19	60376	2	SCREW, .500-13 X 4.50 STANDARD HEX, G5	
20	23367	2	CHAIN, SAFETY - 7800 LBS RATED	
21	30931B	1	WELDMENT, TONGUE W/SUPPORT PLATE	
22	62221	5	NUT, .500-13 NYLOCK, G5	
23	24691B	1	BRACE, TONGUE SHIPPING	
--	61103	1	SCREW, .500-13 X 1.750 SERRATED FLG HEX, G8	To attach item 23
--	62221	1	NUT, .500-13 NYLOCK, G5	To attach item 23

### OPTIONAL FEATURES

#### *Toolbox (if equipped)*

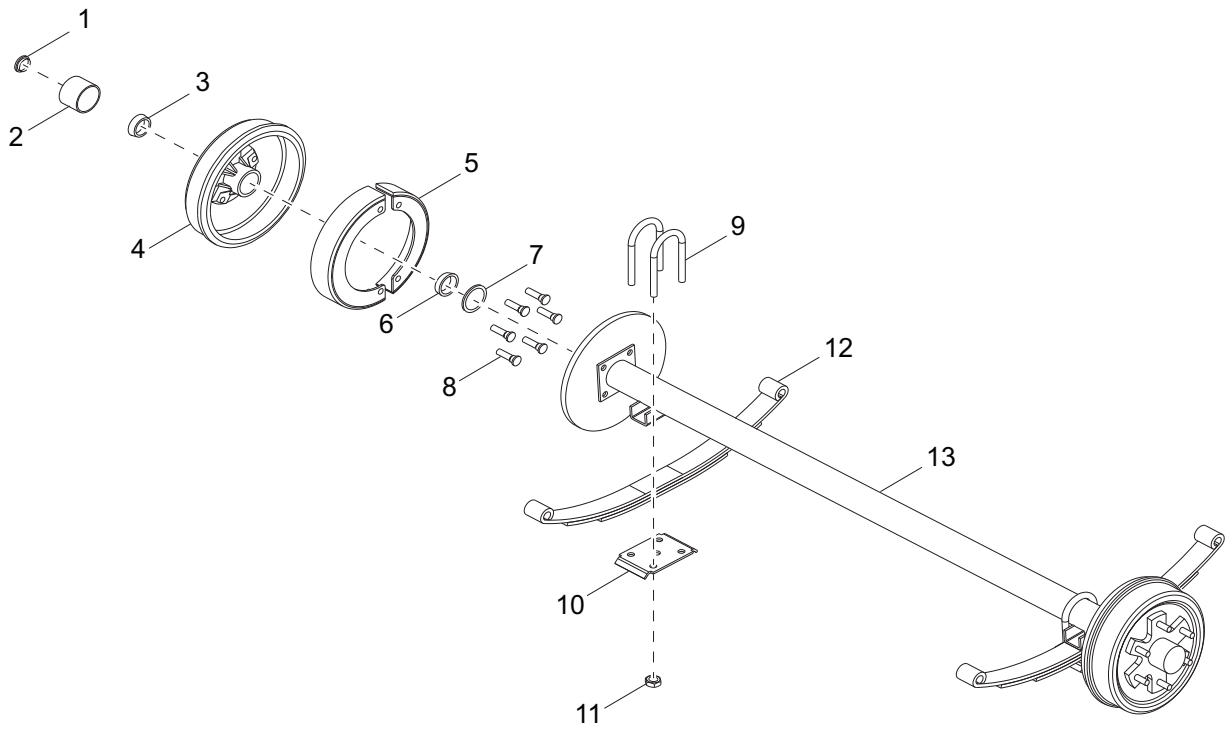
A	32214	1	TOOLBOX, TRAILER FRONT - 49 X 15 X 18.5 POLY
B	62021	2	BOLT, U - .375-16 X 4.0 X 4.625
C	37693B	1	BRACKET, TOOLBOX MOUNT
D	60145	4	NUT, .375-16 SERRATED FLANGE, G5
E	37694B	1	BRACKET, TOOLBOX MOUNT

#### *Electric Brakes: (if equipped)*

F	19417	1	BREAKAWAY KIT
--	65821	1	HARNESS, ELECTRIC BRAKE

# AXLE ASSEMBLY

---



00554

## AXLE ASSEMBLY

Item	Part No.	Qty	Description	Notes
1	11254	2	PLUG, GREASE CAP - ZERK	
2	23170	2	CAP, GREASE	
3	N/A	2	ROLLER BEARING - OUTER	
4	26452	2	ASSEMBLY, BRAKE DRUM - 12 IN. 6 HOLES ON 5.5	
5	26571	1	ASSEMBLY, SURGE FREE-BACKING BRAKE - LH	
	26572	1	ASSEMBLY, SURGE FREE-BACKING BRAKE - RH	
6	N/A	2	ROLLER BEARING - INNER	
7	N/A	2	BEARING SEAL - 5000 LB	
8	60963	12	STUD, .500-20 WHEEL - 5000 LB	
9	40875	4	U-BOLT	
10	40874	2	TIE PLATE	
11	26441	8	NUT, .500-20 U-BOLT - PLATED	
12	23912	2	SPRING, AXLE - 5000 LB	
13	22877	1	AXLE, HYDRAULIC - 5000 LB	

### OPTIONAL FEATURES

#### *Electric Brake: (if equipped)*

--	22876	1	AXLE, ELECTRIC - 5000 LB
--	26320	1	ASSEMBLY, ELECTRIC BRAKE - LH
--	26321	1	ASSEMBLY, ELECTRIC BRAKE - RH

#### *Tandem Axle: (if equipped)*

--	11253	4	CAP, GREASE W/RUBBER PLUG - 3500 LB
--	11511	4	OUTER BEARING
--	12311	4	BRAKE DRUM - 10 IN. 5 ON 4.5 IN
--	40954	4	INNER BEARING
--	12307	4	BEARING SEAL - 3500 LB
--	60674	20	STUD, WHEEL - .500-20, G8
--	11277	8	U-BOLT - 3500 LB
--	11278	4	TIE PLATE - 3500 LB
--	11203	16	NUT, U-BOLT
--	A0001781909	4	SPRING - 27 IN., 3500 LB

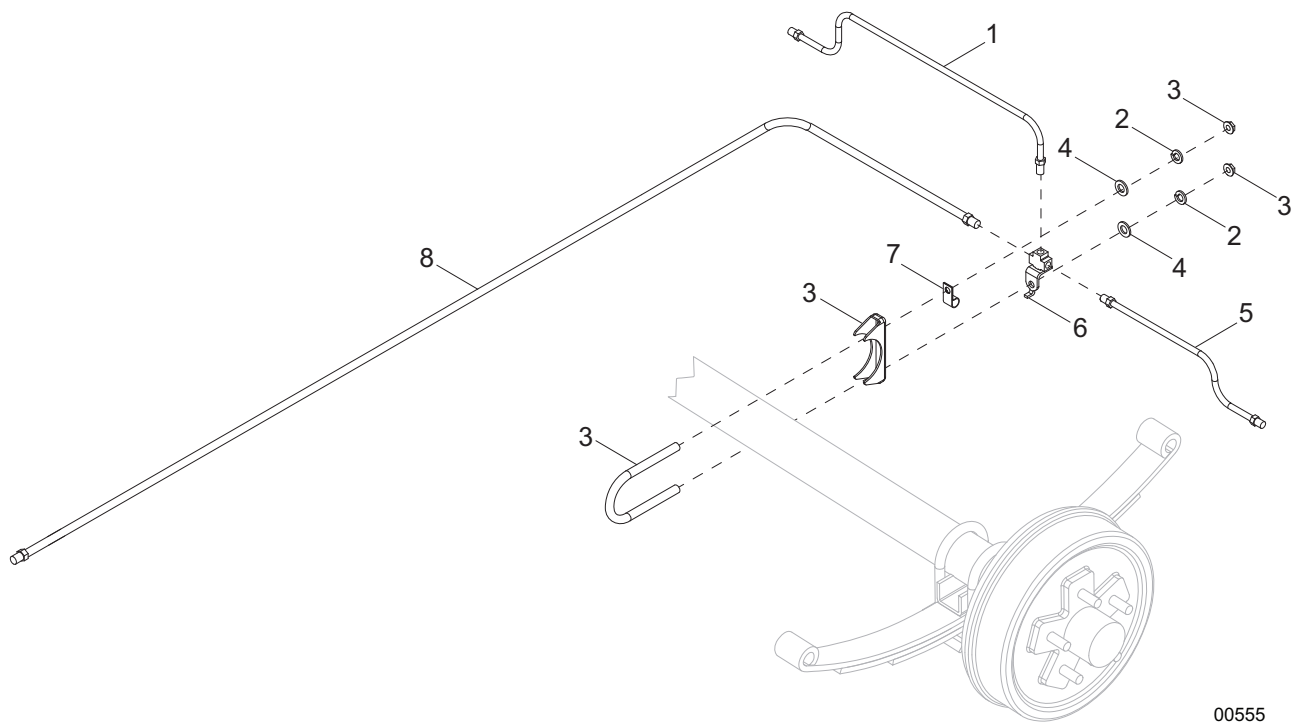
#### *Tandem Axle - Surge Brake: (if equipped)*

--	19421	2	AXLE, HYDRAULIC - 3500 LB
--	40764	2	ASSEMBLY, 10 IN., SURGE BRAKE - LH
--	40765	2	ASSEMBLY, 10 IN., SURGE BRAKE - RH

#### *Tandem Axle - Electric Brake: (if equipped)*

--	19422	2	AXLE, ELECTRIC - 3500 LB
--	26442	2	ASSEMBLY, 10 IN., ELECTRIC BRAKE - LH
--	26443	2	ASSEMBLY, 10 IN., ELECTRIC BRAKE - RH

# TRAILER BRAKE LINES - SINGLE AXLE



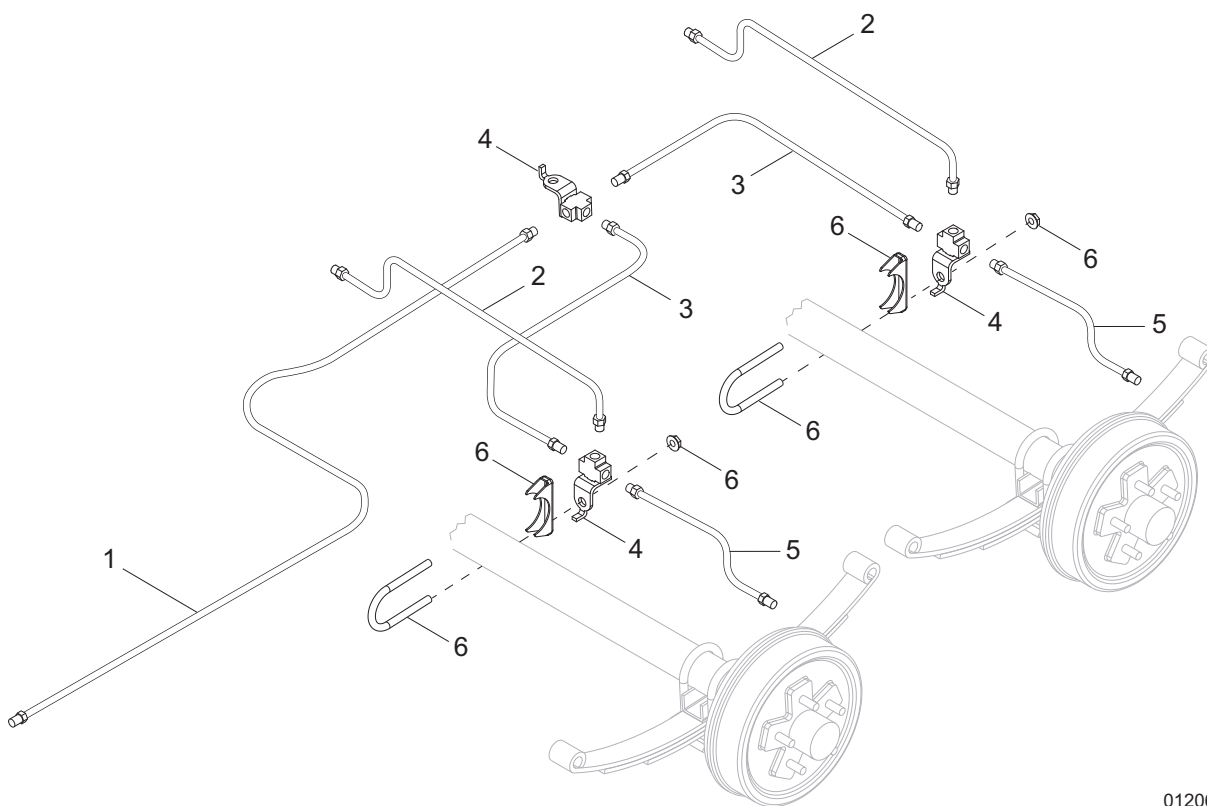
00555



## TRAILER BRAKE LINES - SINGLE AXLE

Item	Part No.	Qty	Description	Notes
1	23169	1	LINE, BRAKE - .188 X 12.0	
2	60341	2	WASHER, M8 SPLIT LOCK, SS	
3	61064	1	CLAMP, MUFFLER - 3.0 LIGHT DUTY	
4	60166	2	WASHER, M8 FLAT	
5	40494	1	LINE, BRAKE - .188 X 30.0	
6	19252	1	FITTING, STRT - .188 BRAKE LINE T W/BACKET	
7	61010	1	CLAMP, TUBING - .375 HEAVY DUTY, .375 BOLT	
8	24688	1	HOSE, BRAKE - .188 X 136.0, MALE/MALE	
--	60231	6	RIVET, .188 DIAMETER X .375 TO .500 GRIP	
--	15626	6	CLAMP, TUBING - .375 LIGHT DUTY	
--	22340	1	FITTING, BUSHING - 1.0 OD X .750 ID	

# TRAILER BRAKE LINES - TANDEM AXLE

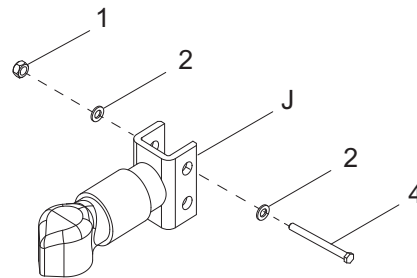
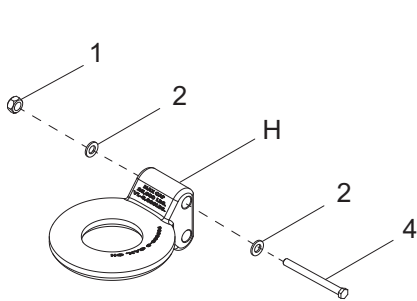
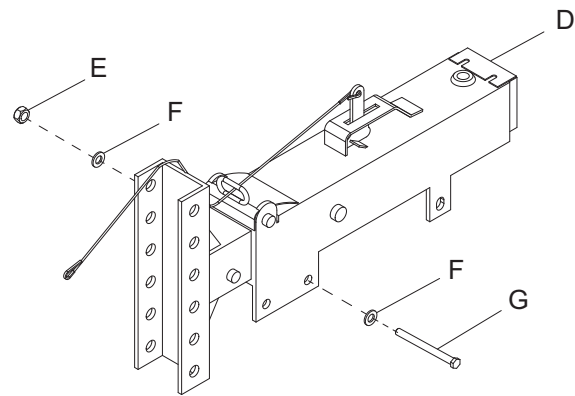
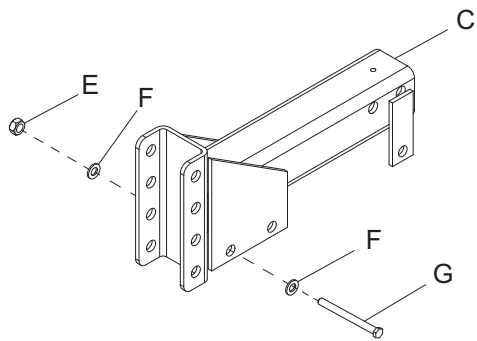
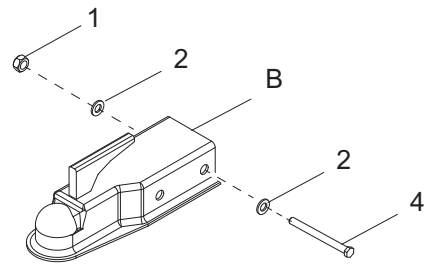
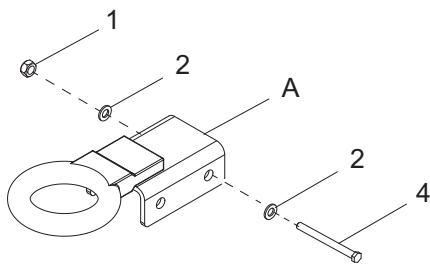
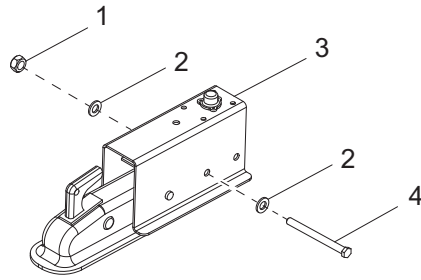


01206

## TRAILER BRAKE LINES - TANDEM AXLE

Item	Part No.	Qty	Description	Notes
1	24688	1	HOSE, BRAKE - .188 X 136.0, MALE/MALE	
2	40495	2	LINE, BRAKE - .188 X 20.0	
3	40817	2	HOSE, BRAKE - .188 X 33.0, MALE/MALE	
4	19252	3	FITTING, STRT - .188 BRAKE LINE T W/BRACKET,	
5	40494	2	LINE, BRAKE - .188 X 30.0	
6	61028	2	CLAMP, MUFFLER - 2.50 LIGHT DUTY	
--	22340	4	FITTING, BUSHING - 1.0 OD X .750 ID	
--	15626	5	CLAMP, TUBING - .375 LIGHT DUTY	
--	60231	3	RIVET, .188 DIAMETER X .375 TO .500 GRIP	
--	60684	2	SCREW, .250-20 X .875 STANDARD HEX, SS	
--	60166	2	WASHER, M8 FLAT	
--	60144	2	NUT, .250-20 NYLOCK, G5	

# TRAILER HITCH OPTIONS

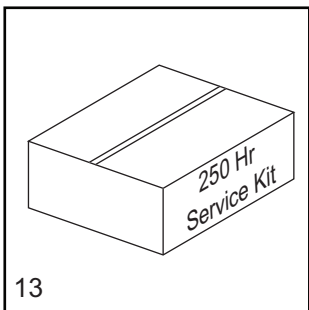
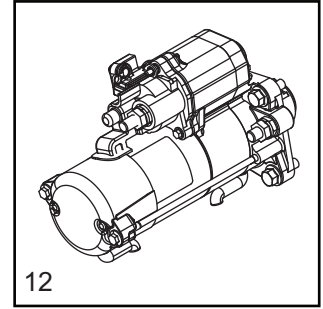
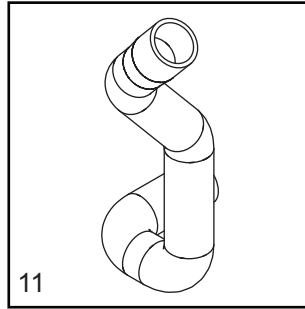
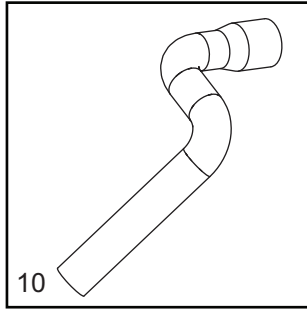
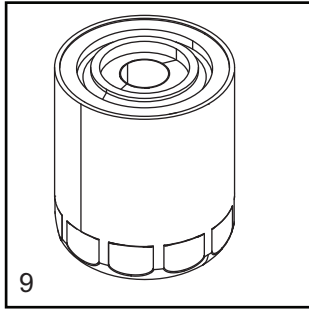
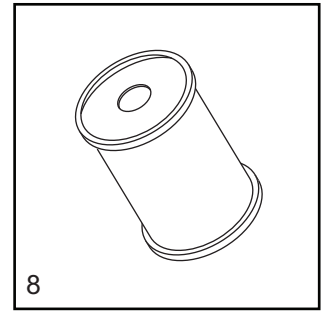
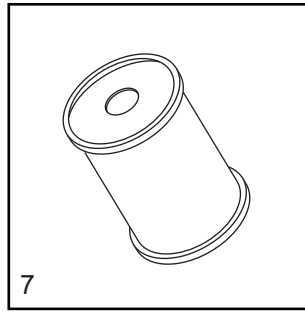
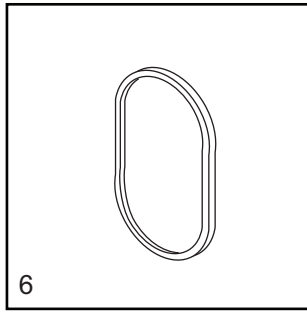
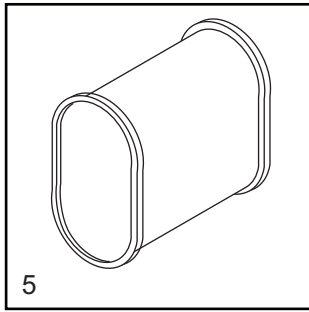
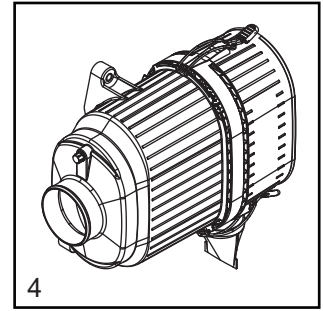
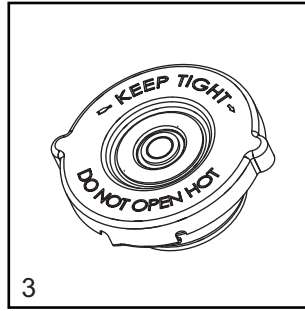
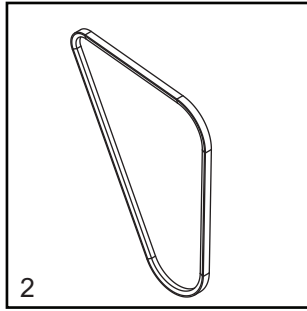
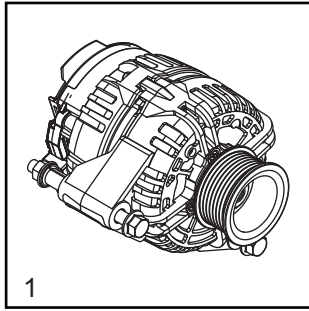


01123

## TRAILER HITCH OPTIONS

Item	Part No.	Qty	Description	Notes
1	62221	2	NUT, .500-13 NYLOCK, G5	
2	60309	4	WASHER, .500 FLAT 1.060/.090	
3	24304	1	ACTUATOR, HYDRAULIC SURGE BRAKE - 2 IN. BALL, 6000 LB	
4	61099	2	SCREW, .500-13 X 5.0 STANDARD HEX, G8	
--	41762	1	O-RING - 24 MM	
<i>Non-Adjustable Electric Brake Hitches: (if equipped)</i>				
A	11032B	1	WELDMENT, LUNETTE RING - 3.0 ID	
B	23162	1	COUPLER, 2.0 BALL/3.0 CHANNEL - 5000 LB	
<i>Adjustable Hitches: (if equipped)</i>				
C	19379B	1	WELDMENT, HITCH - 4 POSITION, ELEC BRAKE	
D	40529	1	ACTUATOR, HYDRAULIC SURGE BRAKE - 7500 LB, SURGE BRAKE	
E	62221	3	NUT, .500-13 NYLOCK, G5	
F	60309	6	WASHER, .500 FLAT 1.060/.090	
G	61099	3	SCREW, .500-13 X 5.0 STANDARD HEX, G8	
H	19335B	1	COUPLER, LUNETTE RING - 3.0 ID	Req. item C or D
J	19518	1	COUPLER, 2.0 BALL	Req. item C or D
<i>Adapters - Electric Brake: (if equipped)</i>				
--	65593	1	ADAPTER, TRAILER - 4 PIN AND 2 PIN TO 6 PIN	
--	65583	1	ADAPTER, TRAILER - ROUND 6 PIN TO ROUND 7 SPADE	Requires 65593
<i>Adapters - Surge Brake: (if equipped)</i>				
--	65463	1	ADAPTER, TRAILER - FLAT 4 PIN TO ROUND 6 PIN	
--	65464	1	ADAPTER, TRAILER - FLAT 4 PIN TO ROUND 7 PIN	
--	65465	1	ADAPTER, TRAILER - FLAT 4 PIN TO ROUND 7 SPADE	

# RECOMMENDED SPARE PARTS - ENGINE AND SERVICE KITS



## RECOMMENDED SPARE PARTS - ENGINE AND SERVICE KITS

---

### ENGINE

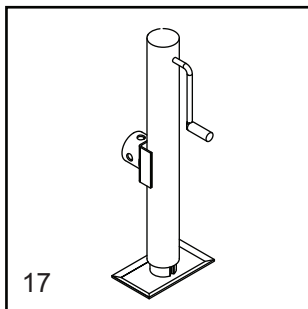
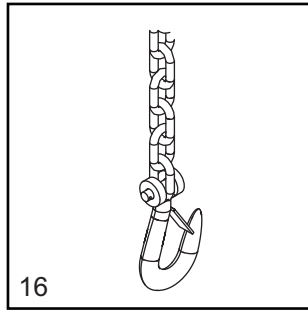
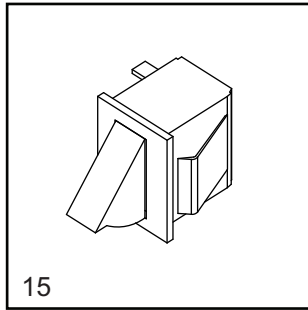
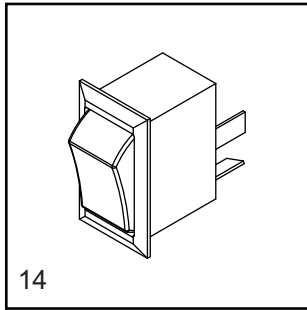
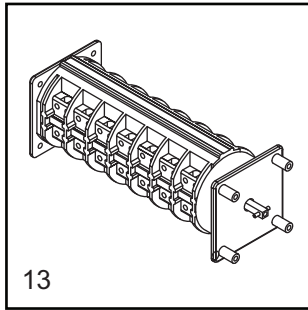
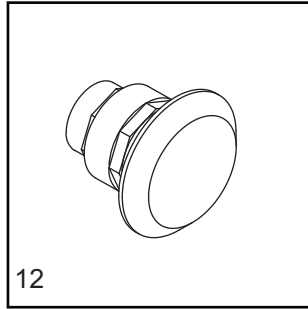
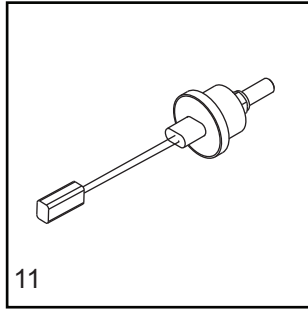
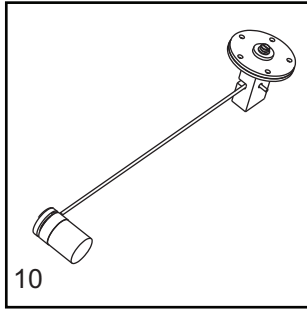
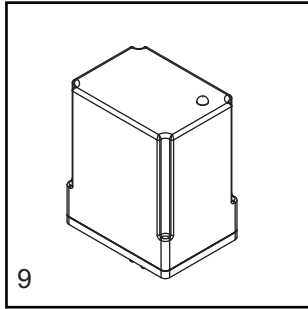
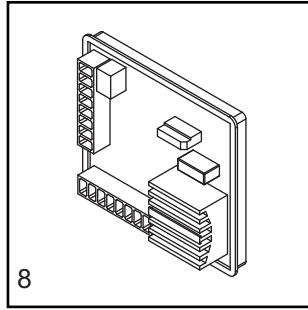
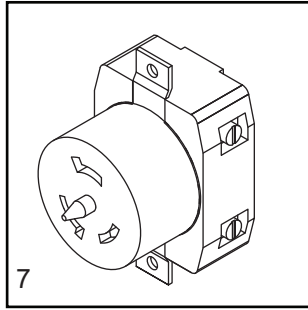
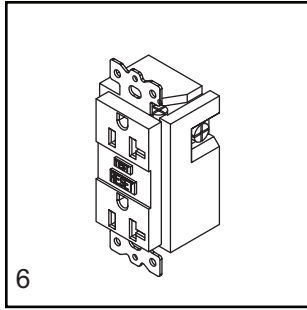
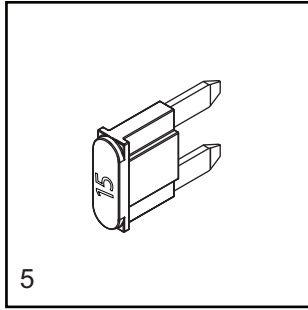
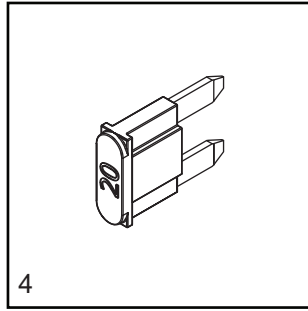
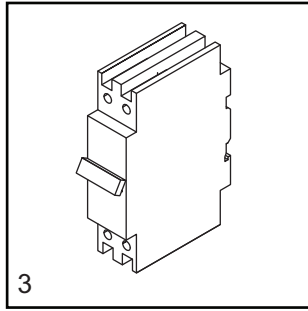
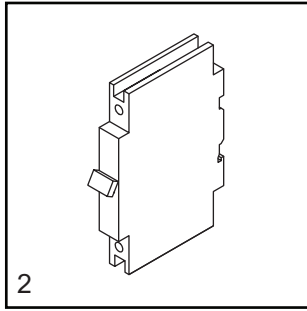
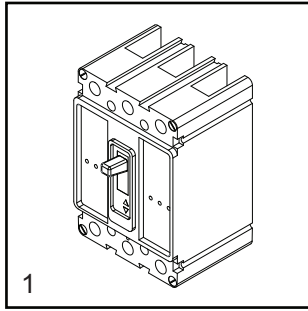
1. ALTERNATOR .....	36661
2. BELT, FAN .....	51099
3. CAP, RADIATOR .....	19219
4. FILTER, AIR - HOUSING ASSEMBLY .....	35959
5. FILTER, AIR - PRIMARY ELEMENT .....	35962
6. FILTER, AIR - SECONDARY ELEMENT .....	68895
7. FILTER, FUEL - ELEMENT .....	36905
8. FILTER, FUEL - ELEMENT - FINAL .....	36904
9. FILTER, OIL.....	36906
10. HOSE, RADIATOR - LOWER.....	36830
11. HOSE, RADIATOR - UPPER.....	36831
12. STARTER .....	36662

### SERVICE KITS

13. 250 HOUR KIT .....	10000035969
------------------------	-------------

Includes: Air Filter - Primary 35962, Fuel Filter Element - Final 36904, Fuel Filter Element 36905, Oil Filter 36906

# RECOMMENDED SPARE PARTS - ELECTRICAL AND TRAILER



03839



## RECOMMENDED SPARE PARTS - ELECTRICAL AND TRAILER

---

### ELECTRICAL

1. BREAKER, MAIN .....	65446
2. BREAKER, 20A .....	18091
3. BREAKER 50A .....	18092
4. FUSE, 20 A .....	35560
5. FUSE, 15A .....	68204
6. RECEPTACLE, 120V/20A GFI .....	14130
7. RECEPTACLE, 240V/50A TWIST LOCK .....	18089
8. REGULATOR, VOLTAGE .....	68015
9. RELAY (OPTIONAL).....	66455
10. SENDER, FUEL.....	36243
11. SENSOR, LOW COOLANT .....	68206
12. SWITCH, E-STOP ASSEMBLY .....	34989SRV
13. SWITCH, PHASE - 3 POSITION .....	37193
14. SWITCH, ROCKER .....	66995
15. SWITCH, TRIGGER SAFETY .....	66089

### TRAILER

16. CHAIN, SAFETY.....	23367
17. JACK, 2000 LB TOP WIND .....	13051





Part No. A0000393902 Rev. **B** 02/02/2023

©2023 Generac Power Systems, Inc.

All rights reserved.

Specifications are subject to change without notice.

No reproduction allowed in any form without prior written consent  
from Generac Power Systems, Inc.

**GENERAC**® | **MOBILE**

Generac Power Systems, Inc.

S45 W29290 Hwy. 59, Waukesha WI 53189

[GeneracMobileProducts.com](https://www.GeneracMobileProducts.com) | 844-ASK-GNRC | 844-275-4672