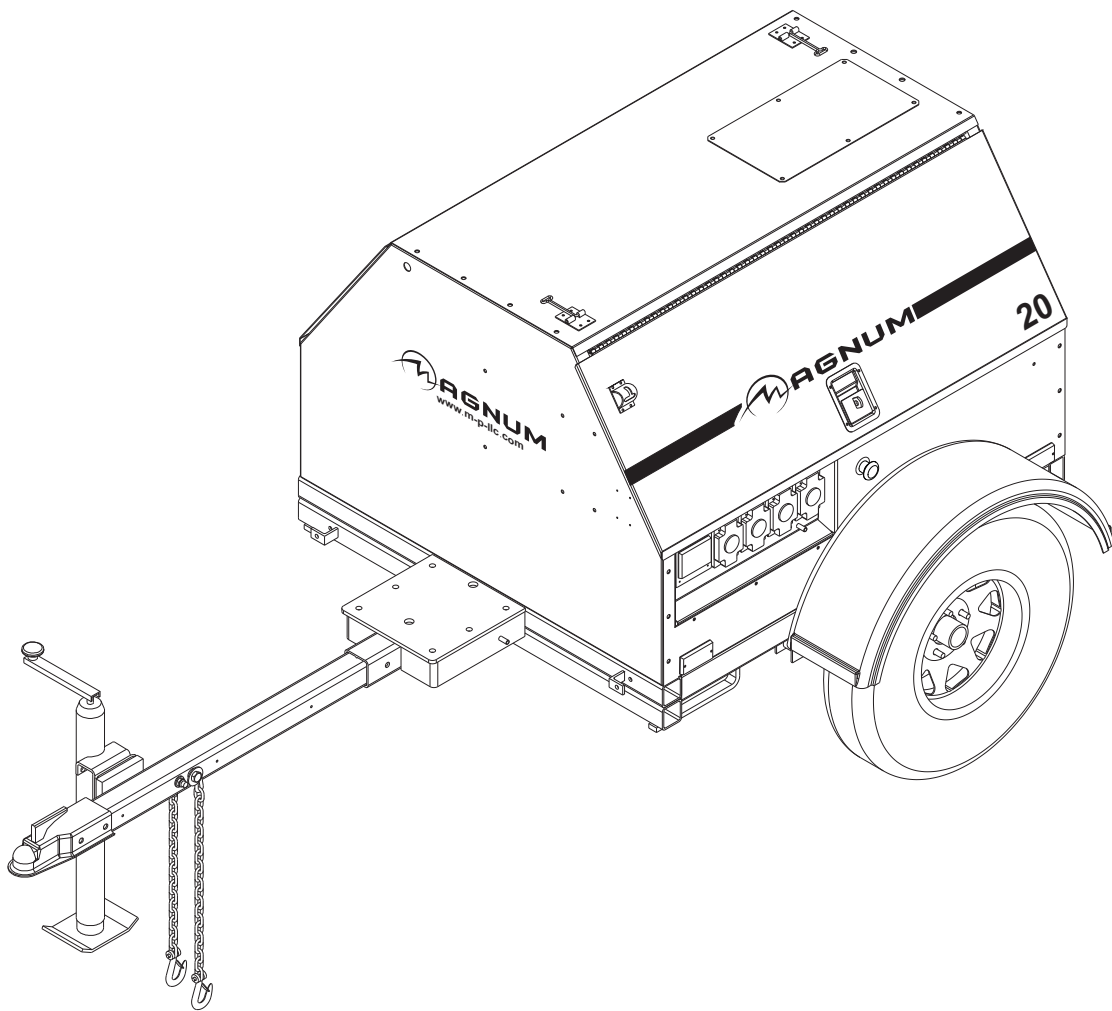




DIESEL GENERATOR
MLG8 • MLG15 • MLG20



PARTS MANUAL

INTRODUCTION

Before servicing this machine, make sure the engine start switch is turned to “OFF/O”, the circuit breakers are open (“OFF/O”), and the negative (-) terminal on battery is disconnected. Attach a “DO NOT START” sign to the control panel. This will notify everyone that the unit is being serviced and will reduce the chance of someone inadvertently trying to start the unit.

▲ WARNING

Before operating or servicing this equipment, read and understand the Magnum Operating Manual which was included with the unit when shipped from the factory. Failure to do so increases the risk of injury to yourself or others.

MAGNUM POWER PRODUCTS LLC

215 Power Drive • Berlin, WI 54923

U.S.A.

Phone: 920-361-4442

FAX: 920-361-4416

Toll Free: 1-800-926-9768

www.m-p-llc.com

For technical or parts QUESTIONS, please contact the Magnum Power Products LLC Customer Support or Technical Support team at 1-800-926-9768. Please have your serial number available.

To ORDER SERVICE PARTS, please contact the dealer from which you purchased the unit, or call Magnum Power Products LLC to locate a dealer in your area.

Engine Make: _____

Engine Serial Number: _____

Engine Model Number: _____

Generator Make: _____

Generator Model Number: _____

Generator Serial Number: _____

Unit Model Number: _____

Unit Serial Number: _____

▲ WARNING

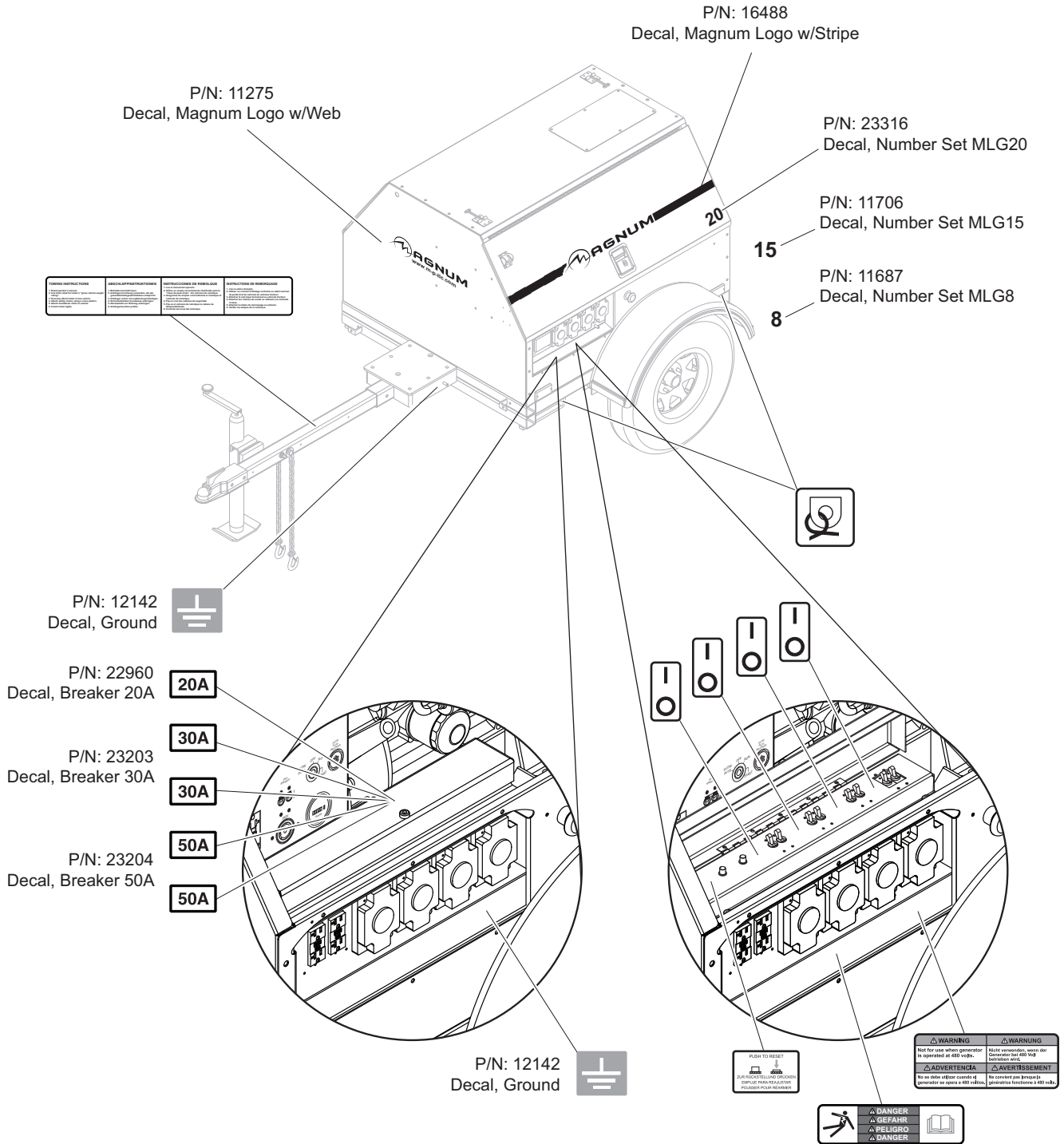
CALIFORNIA PROPOSITION 65 WARNING:

Diesel engine exhaust and some of its constituents are known to the state of California to cause cancer, birth defects and other reproductive harm.

TABLE OF CONTENTS

	Page
INTRODUCTION	2
UNIT DECALS - LEFT AND FRONT SIDES	4
UNIT DECALS - REAR SIDE AND INTERIOR	5
LIFT STRUCTURE (OPTIONAL)	6
ROOF & DOORS TO UNIT - MLG8	8
ROOF AND DOORS TO UNIT - MLG15, MLG20	10
FRONT, REAR, AND SIDE PANELS TO UNIT - MLG8.....	12
FRONT AND SIDE PANELS TO UNIT - MLG15, MLG20.....	14
OVERFLOW JUG ASSEMBLY	16
RECEPTACLE PANEL ASSEMBLY - MLG15, MLG20.....	18
RECEPTACLE PANEL OPTIONS.....	20
RECEPTACLE PANEL OPTIONS (CONTINUED).....	21
COOLING SYSTEM ASSEMBLY - MLG8.....	22
COOLING SYSTEM ASSEMBLY - MLG15, MLG20	24
ENGINE AND GENERATOR TO SKID - MLG8	26
ENGINE & GENERATOR TO SKID - MLG15, MLG20	28
AIR FILTER ASSEMBLY - MLG8.....	30
AIR FILTER ASSEMBLY - MLG15.....	32
AIR FILTER ASSEMBLY - MLG20.....	34
GENERATOR ASSEMBLY - MLG8	36
GENERATOR ASSEMBLY - MLG15	38
GENERATOR ASSEMBLY - MLG20	40
ENGINE ASSEMBLY - LEFT SIDE - MLG8	42
ENGINE ASSEMBLY - RIGHT SIDE - MLG8.....	44
ENGINE ASSEMBLY - LEFT SIDE - MLG15	46
ENGINE ASSEMBLY - RIGHT SIDE - MLG15.....	48
ENGINE ASSEMBLY - LEFT SIDE - MLG20	50
ENGINE ASSEMBLY - RIGHT SIDE - MLG20.....	52
CONTROL BOX TO PANEL.....	54
CONTROL BOX ASSEMBLY - MLG8	56
CONTROL BOX ASSEMBLY - MLG15, MLG20	58
FUEL TANK ASSEMBLY - MLG8	60
FUEL TANK ASSEMBLY - MLG15, MLG20.....	62
FRAME ASSEMBLY - MLG8.....	64
FRAME ASSEMBLY - MLG15, MLG20.....	66
AXLE ASSEMBLY	68
TRAILER LIGHTS WIRING DIAGRAM	70
RECOMMENDED SPARE PARTS LIST.....	72
NOTES	73

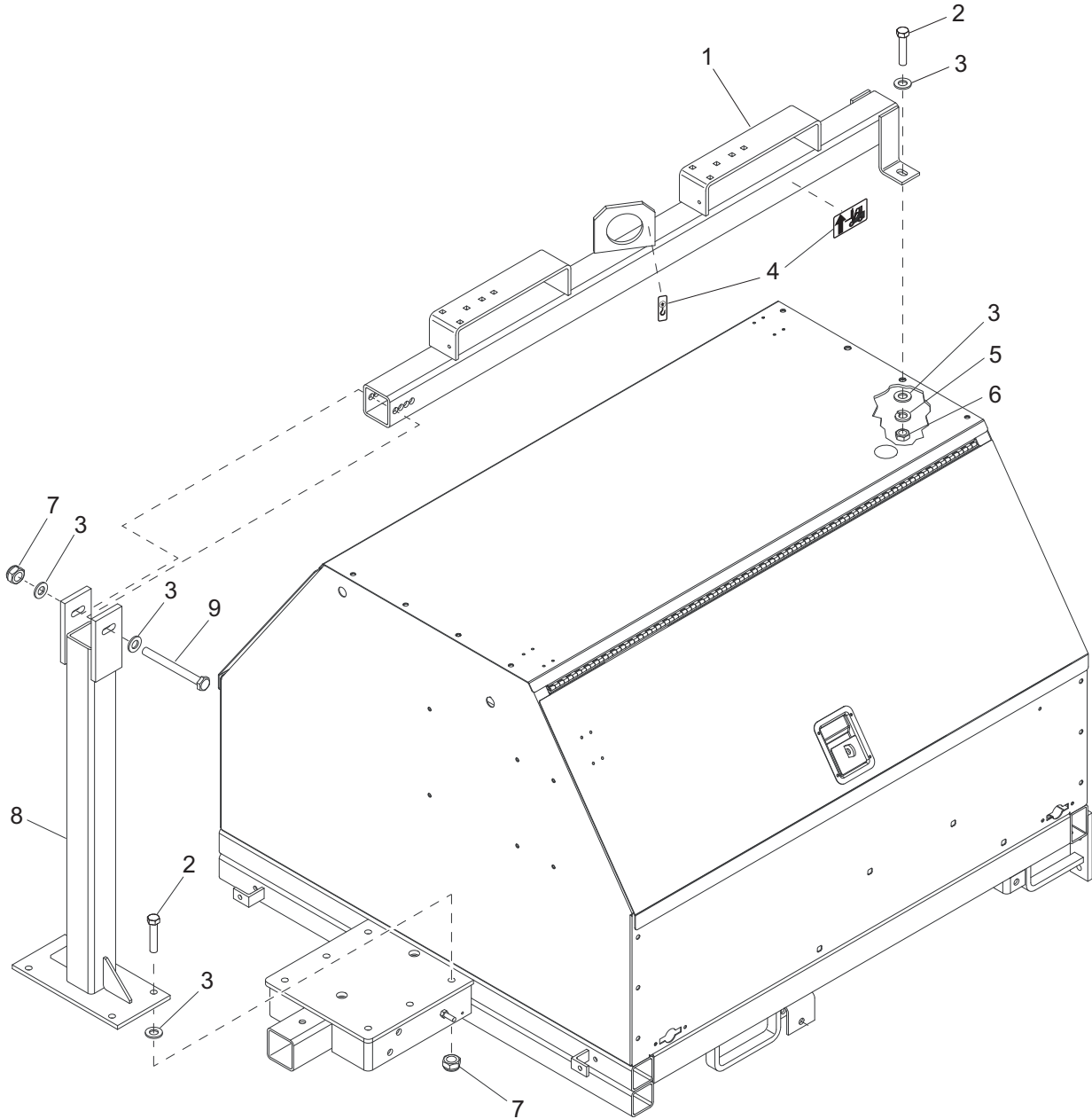
UNIT DECALS - LEFT AND FRONT SIDES



Note: All safety and operating decals are located on decal sheet 10288, unless otherwise noted.

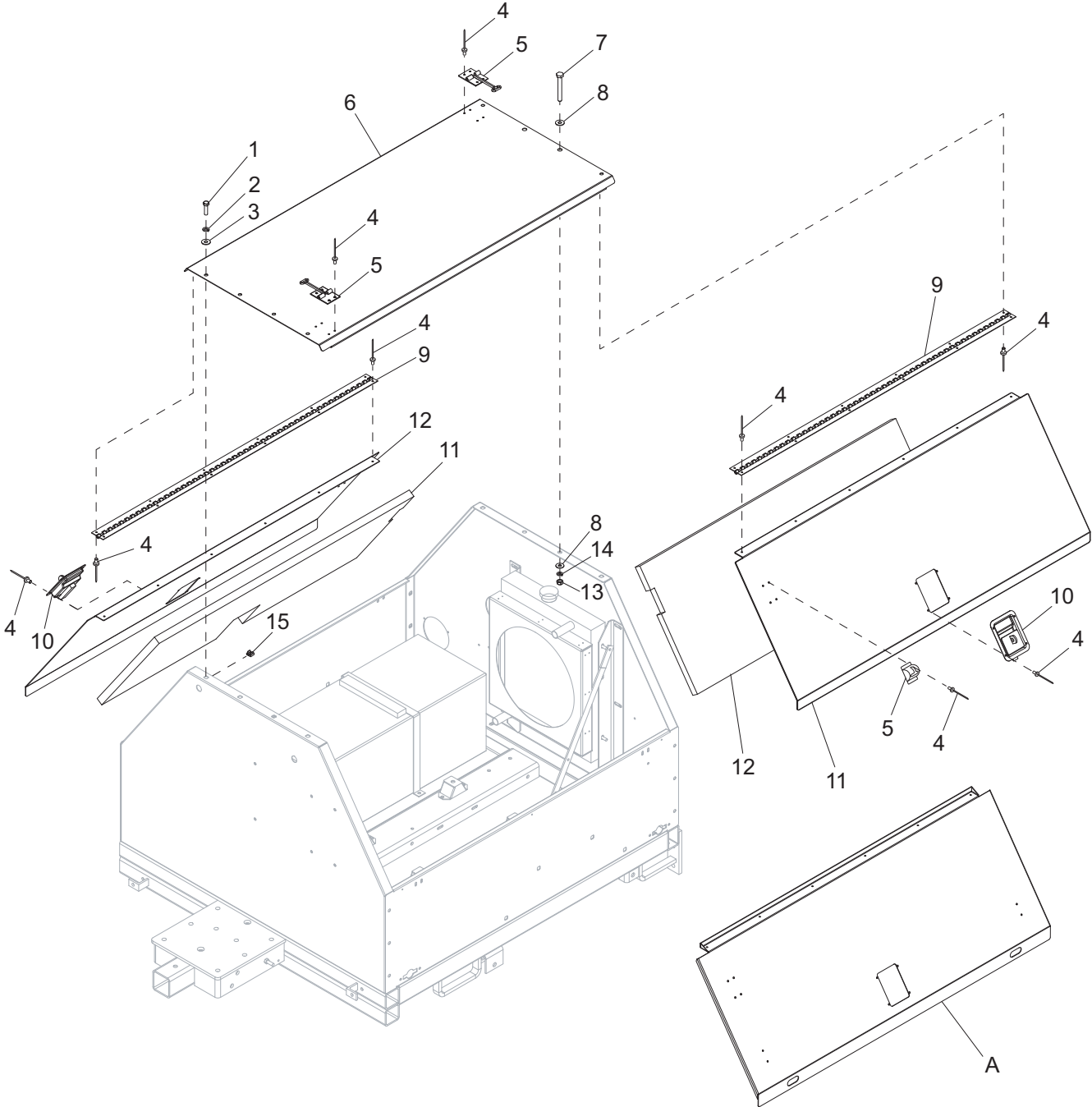
The MLG8 is not equipped with an auxiliary outlet panel.

LIFT STRUCTURE (OPTIONAL)



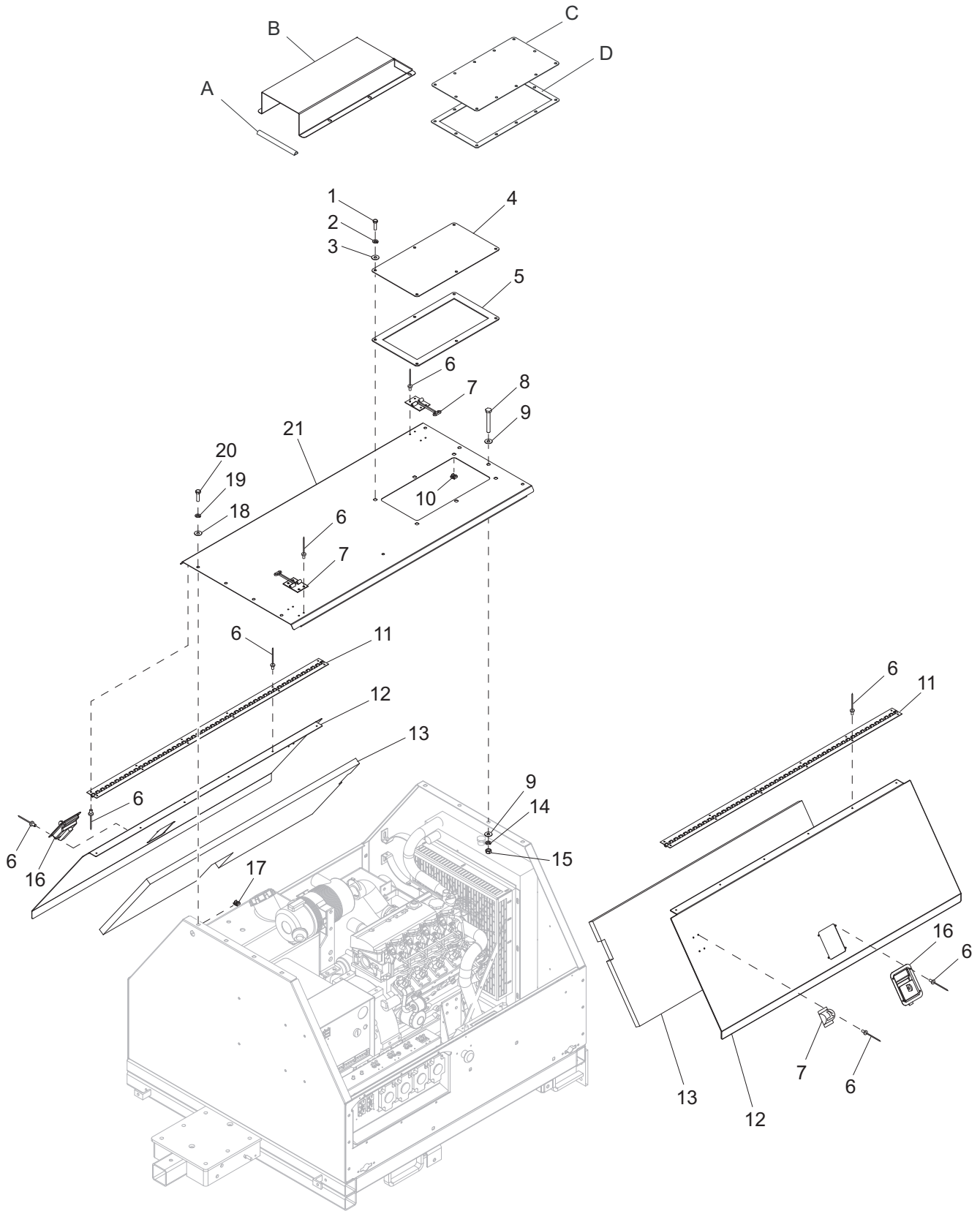
ITEM	PART	QTY	DESCRIPTION	NOTES
1	12567B	1	Weldment, lift structure - horizontal	
2	60683	6	Screw, .500-13x1.50 std hex, SS	
3	60699	10	Washer, .500 flat 1.070/080, SS	
4	10687	1	Decal, lift structure	
5	60702	2	Washer, .500 split lock, SS	
6	60681	2	Nut, .500-13 hex, SS	
7	60680	5	Nut, .500-13 nylock, SS	
8	12566B	1	Weldment, lift structure - vertical	
9	60705	1	Screw, .500-13x5.0 std hex, SS	
--	960171	1	Assembly, lift structure	

ROOF & DOORS TO UNIT - MLG8



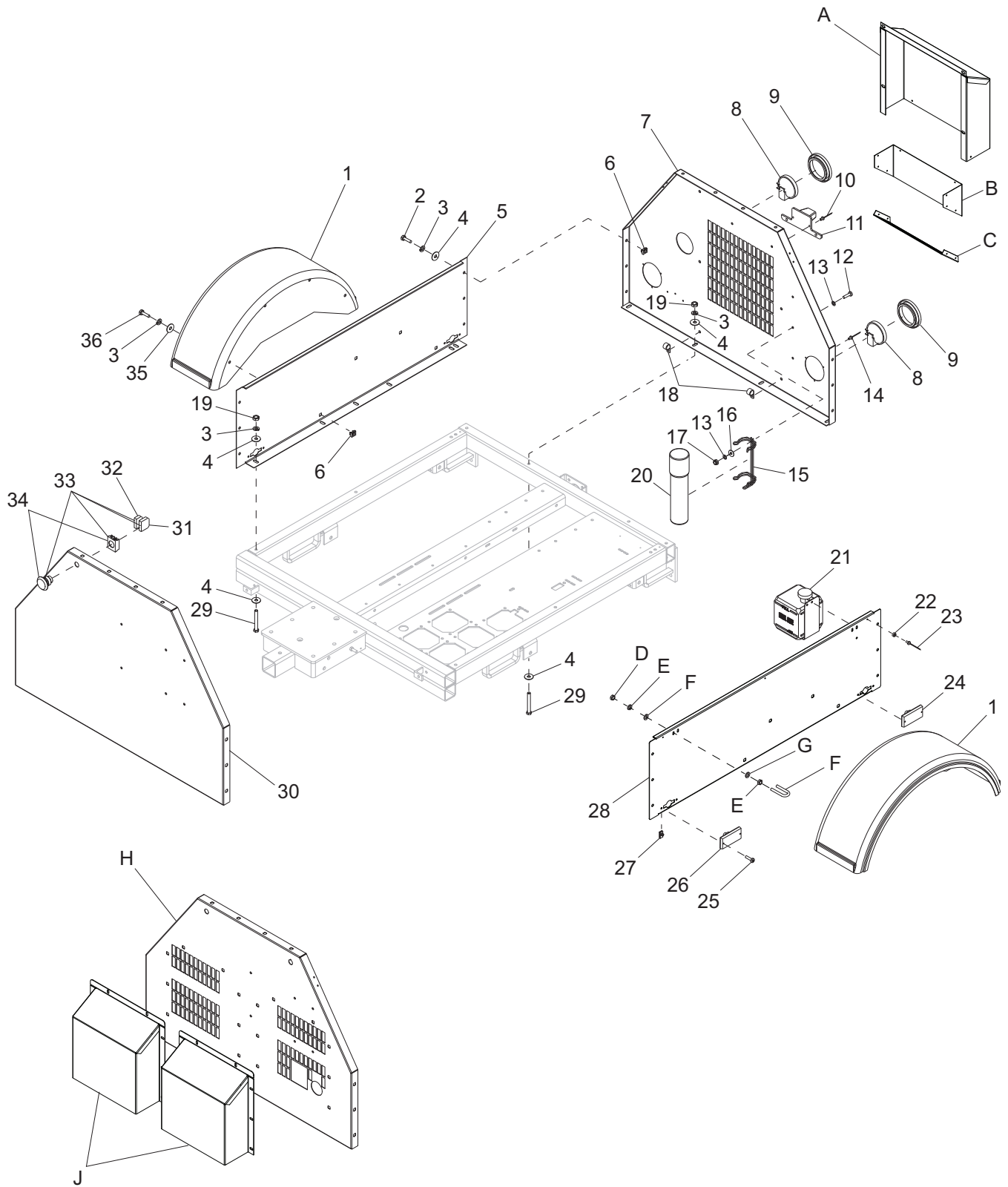
ITEM	PART	QTY	DESCRIPTION	NOTES
1	60690	6	Screw, .375-16x1.0 std hex, SS	
2	60703	6	Washer, .375 split lock, SS	
3	60698	6	Washer, .375 flat .875/.040, SS	
4	60268	48	Rivet, .188 dia. x .126 to .250 grip, SS	
5	12605	2	Door latch - T-style, SS	
6	16538W	1	Panel, top	
7	60683	2	Screw, .500-13x1.50 std hex, SS	
8	60699	4	Washer, .500 flat 1.070/.080, SS	
9	16598	2	Hinge, door - .188 pin, 48.5 long	
10	15123	2	Latch, paddle - w/7 lb spring	
11	16591W	2	Panel, door	
12	11724	2	Foam, door	
13	14229	2	Nut, .500-13 hex, G2	
14	60702	2	Washer, .500 split lock, SS	
15	60657	6	Nut, .375-16 cage, G5	
A	16739W	2	Panel, door - U-bolt lock	Option: tamper pack

ROOF AND DOORS TO UNIT - MLG15, MLG20



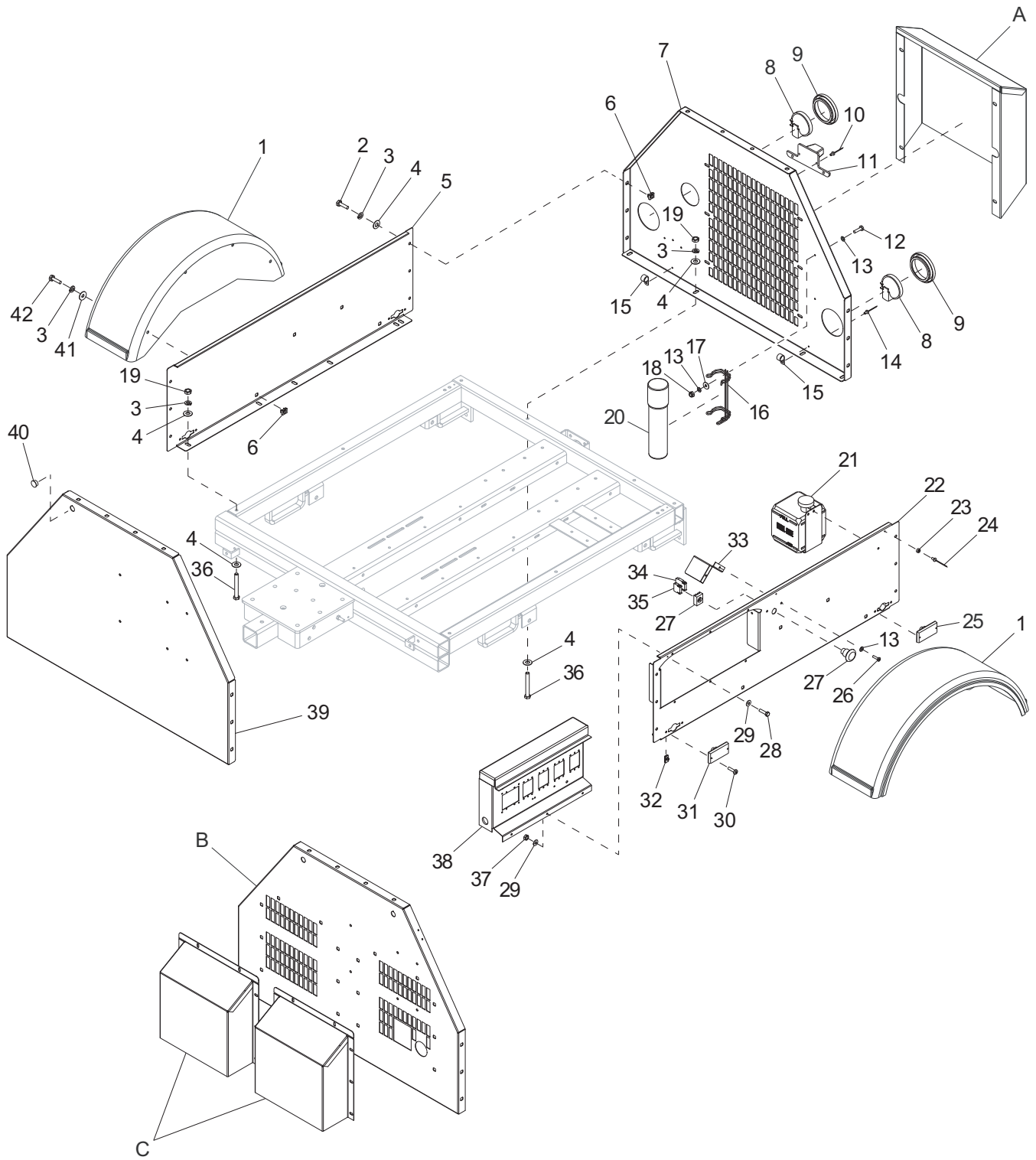
ITEM	PART	QTY	DESCRIPTION	NOTES
1	60507	6	Screw, .312-18x1.0 std hex, SS	
2	60341	6	Washer, M8 split lock, SS	
3	60340	6	Washer, .312 flat .875/.040, SS	
4	17798W	1	Panel, back access - containment	
5	12195	1	Gasket, radiator access plate	
6	60268	48	Rivet, .188 dia. x .126 to .250 grip, SS	
7	12605	2	Door latch - T-style, SS	
8	60683	2	Screw, .500-13x1.50 std hex, SS	
9	60699	4	Washer, .500 flat 1.070/.080, SS	
10	15425	6	Nut, .312-18 cage	
11	16598	2	Hinge, door - .188 pin, 48.5 long	
12	16591W	2	Panel, door	
13	11724	2	Foam, door	
14	60702	2	Washer, .500 split lock, SS	
15	60681	2	Nut, .500-13 hex, SS	
16	15123	2	Latch, paddle - w/7 lb spring	
17	60657	6	Nut, .375-16 cage, G5	
18	60698	6	Washer, .375 flat .875/.040, SS	
19	60703	6	Washer, .375 split lock, SS	
20	60690	6	Screw, .375-16x1.0 std hex, SS	
21	17801W	1	Panel, roof w/access hole - containment	
A	50366	.66 ft	Seal, door - D-style, .468x.312 black	Option: silent/quiet pack
B	34355W	1	Cowl, silent pack	Option: silent/quiet pack
C	17798W	1	Panel, back access	Option: containment
D	17929	1	Gasket, radiator access plate	Option: containment
--	17801W	1	Panel, roof w/access hole	Option: containment (not shown)

FRONT, REAR, AND SIDE PANELS TO UNIT - MLG8



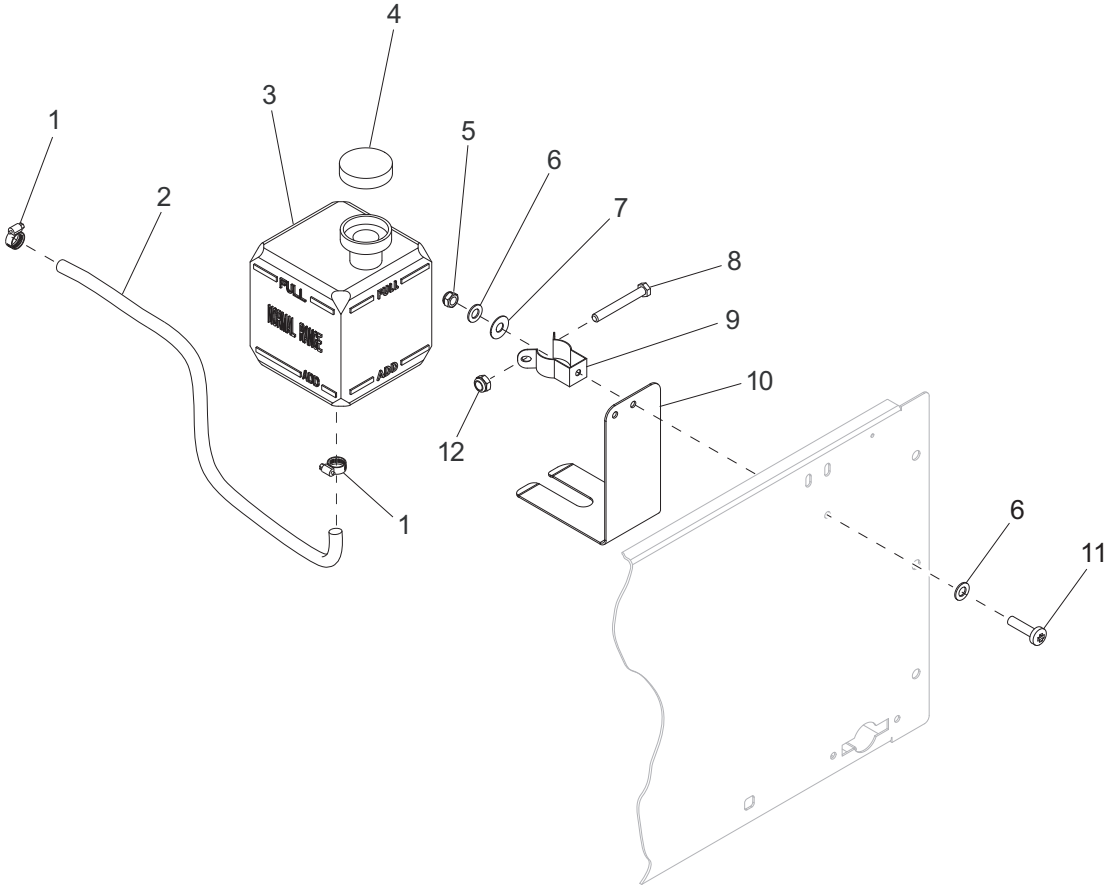
ITEM	PART	QTY	DESCRIPTION	NOTES
1	16560	2	Fender, plastic	
2	60690	12	Screw, .375-16x1.0 std hex, SS	
3	60703	40	Washer, .375 split lock, SS	
4	60698	32	Washer, .375 flat .875/.040, SS	
5	12025W	1	Panel, right side	
6	60657	20	Nut, .375-16 cage, G5	
7	11684W	1	Panel, rear	
8	10220	2	Light, rear tail/turn, round, no grommet	
9	10221	2	Grommet, rear light, rubber 4.5 in	
--	10219	2	Assembly, rear tail/turn light	
10	60231	2	Rivet, .188 dia. x .375 to .500 grip range	
11	10223	1	Assembly, license plate light/holder	
12	60446	2	Screw, M5-0.80x20 pan phil, SS	
13	60067	4	Washer, #10 flat .435/.060, SS	
14	60268	2	Rivet, .188 dia. x .126 to .250 grip, SS	
15	11222	1	Bracket, manual holder	
16	60089	2	Washer, .265 fender 1.250/.060	
17	60038	2	Nut, M5-.80 nylock, G8.8 class 6	
18	15628	2	Clamp, wire - .38 plastic	
19	60140	8	Nut, .375-16 hex, G5	
20	11121	1	Tube, black manual holder, 14 in	
21	Page 16	1	Assembly, overflow jug	
22	15215	6	Bumper, rubber	
23	60267	6	Rivet, .125 dia. x .191 to .270 grip, alum	
24	66372	2	Lens, red - light, clearance marker	
--	65406	1	Assembly, light - clearance marker, red	
25	60694	8	Screw, 8-32x.750 pan phil, SS	
26	66373	2	Lens, amber - light, clearance marker	
--	65407	1	Assembly, light - clearance marker, amber	
27	60730	8	Nut, 8-32 U-clip (spring steel)	
28	11677W	1	Panel, left side	
29	60689	16	Screw, .375-16x4.0 std hex, SS	
30	12012W	1	Panel, front	
31	65584	1	Block, E-stop contactor - NO/NO	
32	65580	1	Block, E-stop contactor - NC (low voltage)	
33	22550	1	Switch, E-stop - 2NO/1NC	
34	65470	1	Switch, E-stop operator	
35	60729	8	Washer, .375 fender 1.50/.090	
36	60295	8	Screw, .375-16x.75 std hex, SS	
A	12189W	1	Duct, radiator guard	Option: containment/silent pack
B	13868W	1	Panel, duct grate bracket	Option: containment/silent pack
C	12837W	1	Grate, duct - white	Option: containment/silent pack
D	60286	4	Washer, .250 split lock	Option: tamper pack
E	60243	8	Washer, .250 flat .735/.060	Option: tamper pack
F	60200	2	Bolt, U .250-20x.750x1.25	Option: tamper pack
G	60284	8	Nut, .250-20 hex, G5	Option: tamper pack
H	12754W	1	Panel, front	Option: containment/silent pack
J	16469W	2	Duct, front	Option: containment/silent pack

FRONT AND SIDE PANELS TO UNIT - MLG15, MLG20



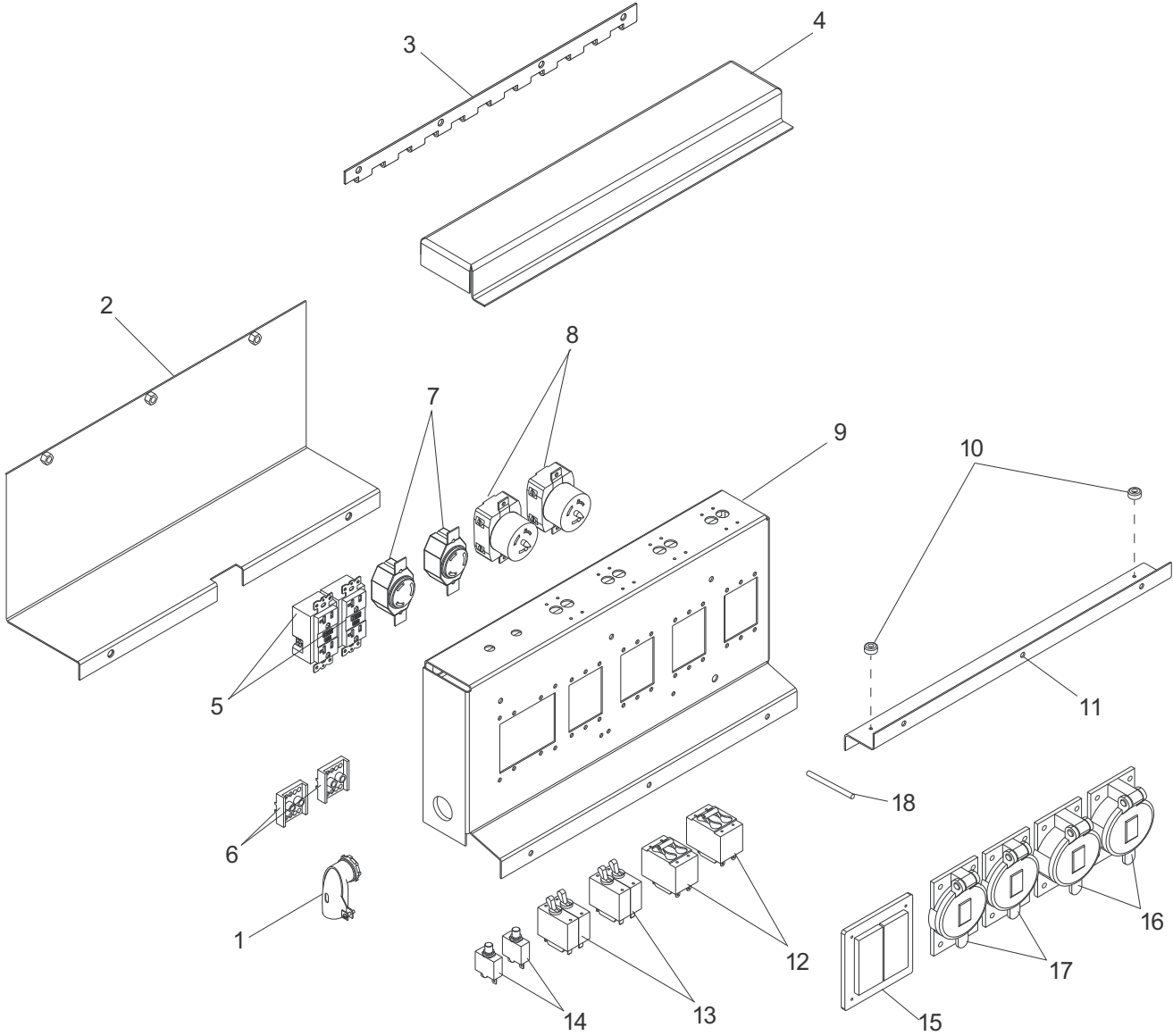
ITEM	PART	QTY	DESCRIPTION	NOTES
1	11381	2	Fender, plastic	
2	60690	12	Screw, .375-16x1.0 std hex, SS	
3	60703	40	Washer, .375 split lock, SS	
4	60698	32	Washer, .375 flat .875/.040, SS	
5	11507W	1	Panel, right side	
6	60657	20	Nut, .375-16 cage, G5	
7	10287W	1	Panel, rear	
8	10220	2	Light, rear tail/turn, round, no grommet	
9	10221	2	Grommet, rear light, rubber 4.5 in	
--	10219	2	Assembly, rear tail/turn light	
--	10222	1	Plug, rear light	Not shown
10	60231	2	Rivet, .188 dia. x .375 to .500 grip range	
11	10223	1	Assembly, license plate light/holder	
--	10226	1	Plug, license light	Not shown
12	60446	2	Screw, M5-0.80x20 pan phil, SS	
13	60067	6	Washer, #10 flat .435/.060, SS	
14	60268	2	Rivet, .188 dia. x .126 to .250 grip, SS	
15	15628	2	Clamp, wire - .38 plastic	
16	11222	1	Bracket, manual holder	
17	60089	2	Washer, .265 fender 1.250/.060	
18	60038	2	Nut, M5-.80 nylock, G8.8 class 6	
19	60140	4	Nut, .375-16 hex, G5	
20	11121	1	Tube, manual holder, 14 in. black	
21	Page 16	1	Assembly, overflow jug	
22	12257W	1	Panel, left side w/E-stop	
23	15215	6	Bumper, rubber	
24	60130	6	Rivet, .156 dia. x .126 to .250 grip, alum	
25	66372	2	Lens, light, clearance marker - red	
26	60398	2	Screw, 10-32x.500 pan phil, SS	
27	65470	1	Switch, E-stop operator	
28	60684	6	Screw, .250-20x.875 std hex, SS	
29	60696	1	Washer, .250 flat .625/.050, SS	
30	60694	8	Screw, 8-32x.750 pan phil, SS	
31	66373	2	Lens, light, clearance marker - amber	
--	65661	4	Bulb, light, clearance marker	Not shown
--	65662	4	Plug, light, clearance marker	Not shown
32	60730	8	Nut, 8-32 U-clip (spring steel)	
33	12604B	1	Bracket, E-stop guard	
34	65584	1	Block, E-stop contactor - NO/NO	
35	65580	1	Block, E-stop contactor - NC (low volt)	
--	22550	1	Switch, E-stop - 2NO/1NC	Items 26, 33, 34
36	60689	16	Screw, .375-16x4.0 std hex, SS	
37	60144	4	Nut, .250-20 nylock, G5	
38	Page 18	1	Assembly, receptacle panel	
39	12012W	1	Panel, front	
40	60733	1	Plug, hole (white) - .875 in	
41	60729	8	Washer, .375 fender 1.50/.090	
42	60295	8	Screw, .375-16x.75 std hex, SS	
A	13101W	1	Duct, radiator guard	Option: silent pack
B	12754W	1	Panel, front	Option: containment
C	16469W	2	Duct, front	Option: containment

OVERFLOW JUG ASSEMBLY



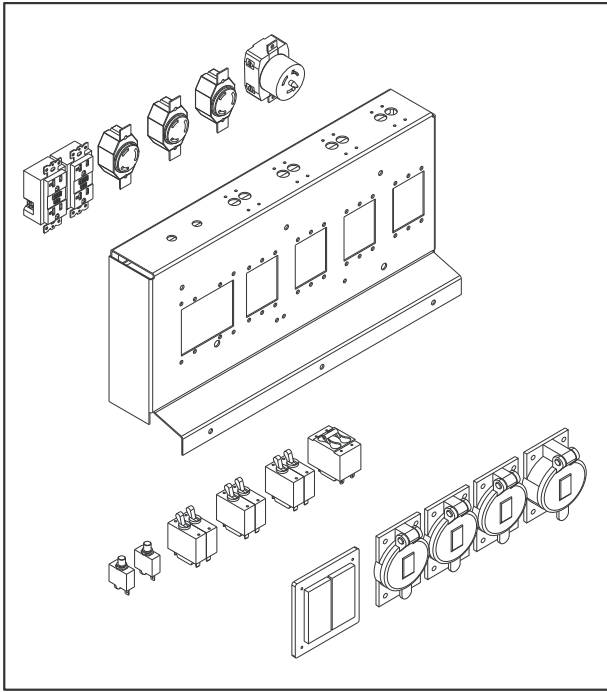
ITEM	PART	QTY	DESCRIPTION	NOTES
1	60777	2	Clamp, hose - .312 fuel hose	Crimp style
2	50018	3.75 ft	Hose, fuel - .312 ID, 50 psi, SAE 30R7	
3	20287	1	Jug, overflow 2 qt (.5 gal)	
4	19714	1	Cap, overflow bottle	
5	60061	1	Nut, 10-32 nylock	
6	60067	2	Washer, #10 flat .435/.060, SS	
7	60696	1	Washer, .250 flat .625/.050, SS	
8	60414	1	Screw, .250-20x1.50 std hex, G5	
9	19726	1	Clamp, overflow bottle	
10	22419B	1	Bracket, support overflow jug - .5 gal	
11	61180	1	Screw, 10-32x.750 pan phil, SS	
12	60144	1	Nut, .250-20 nylock, G5	
--	14410	1	Assembly, overflow jug - 2 qt	Items 1 - 12

RECEPTACLE PANEL ASSEMBLY - MLG15, MLG20

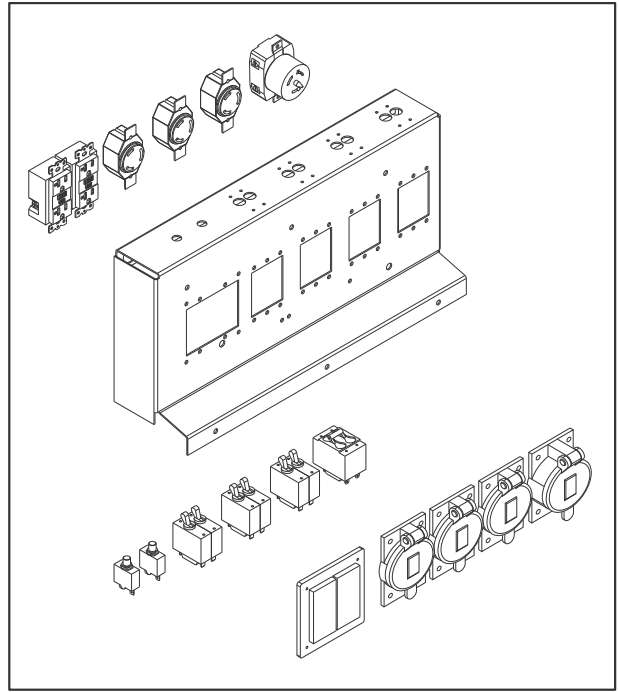


ITEM	PART	QTY	DESCRIPTION	NOTES
1	65535	1	Clamp, 90° - 3/4 in. 2 screw	
2	12248B	1	Weldment, outlet cover	
3	10081	1	Hinge, continuous - 11.00 in	
4	11484B	1	Cover, breaker	
5	14130	2	Receptacle, 120V/20A GFCI	
6	65530	2	Block, terminal - 2-pole lug type	7 pos./pole
7	14137	2	Receptacle, 240V/30A twist-lock	
8	18089	2	Receptacle, 120/240V/50A twist-lock	
9	12246B	1	Weldment, outlet panel	
10	15215	3	Bumper, rubber	
11	11485B	1	Angle, mounting support	
12	65492	2	Breaker, 50A/250V, 2-pole aux. contact	
13	65851	2	Breaker, 30A/250V, 2-pole, screw term	
14	65849	2	Breaker, 20A/120V, 1-pole push button	
15	15849	1	Cover, receptacle - 20A GFCI dual	
16	65467	2	Cover, receptacle - 50A twist-lock	
17	66955	2	Cover, receptacle - 20/30A twist-lock	
18	60160	1	Screw, M8-1.25x30 sflg hex, G8.8	
--	65602	1	Wiring, 5020 twist-locks/GFCI	Not shown
--	65603	1	Wiring, 50A terminal block	Not shown
--	90315	1	Receptacle panel	(2x5-20R, 2xL6-30R, 2xL14-50)

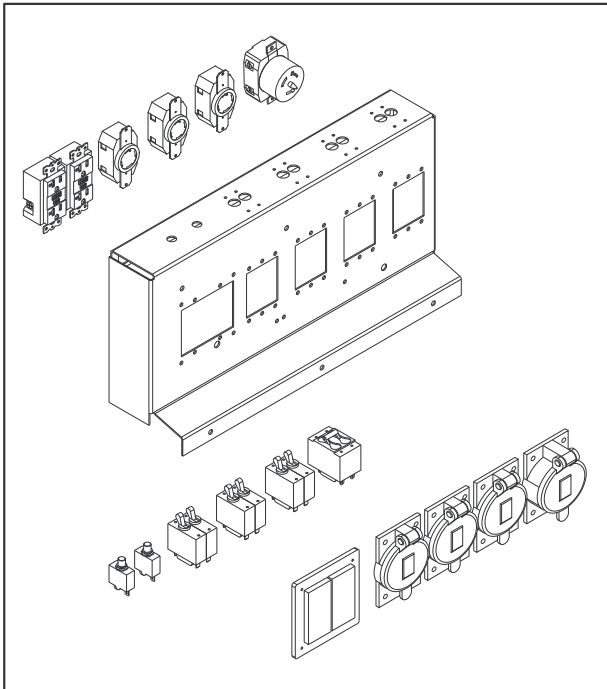
RECEPTACLE PANEL OPTIONS



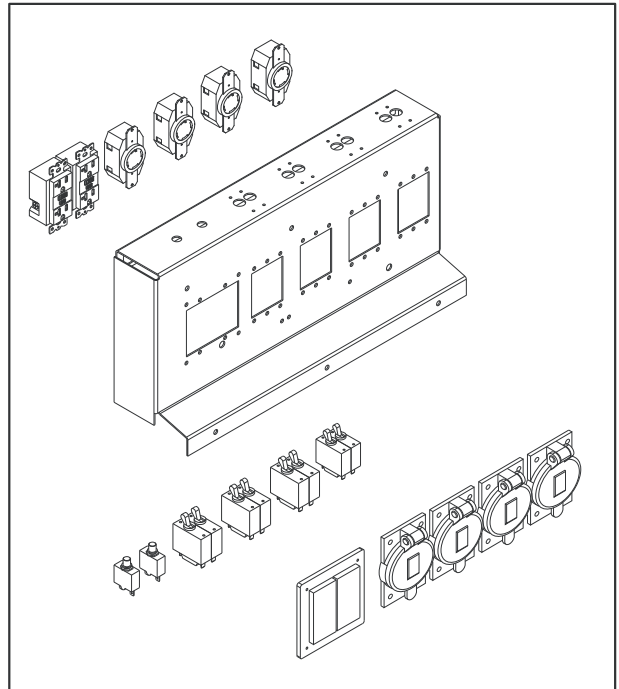
PART NUMBER 90318
Receptacle Panel (2x5-20R, 3xL6-30R, 1x50A)



PART NUMBER 90319
Receptacle Panel (2x5-20R, 3xL6-20R, 1x50A)

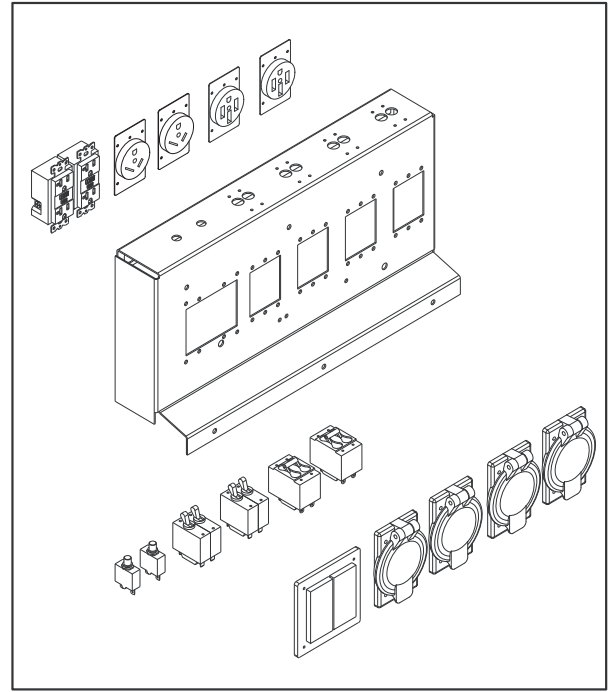
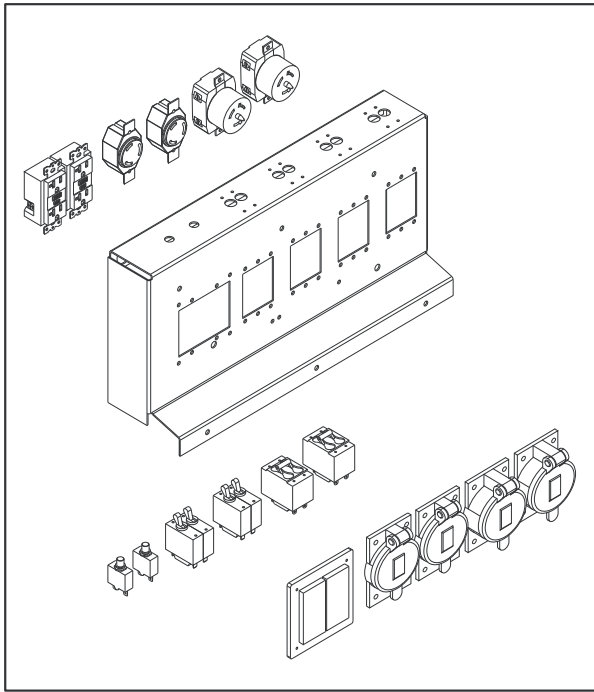


PART NUMBER 90320
Receptacle Panel (2x5-20R, 3xL14-30R, 1x50A)



PART NUMBER 90321
Receptacle Panel (2x5-20R, 4xL14-30R)

RECEPTACLE PANEL OPTIONS (CONTINUED)

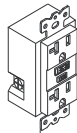


PART NUMBER 90317

Receptacle Panel (2x5-20R, 1xTT-30, 1xL14-30R, 2x14-50)

PART NUMBER 90355

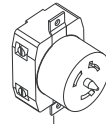
Receptacle Panel (2x5-20R, 2xTT-30R, 2xL14-50)



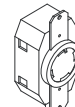
1



2



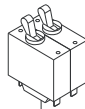
3



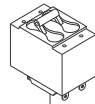
4



5



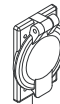
6



7



8



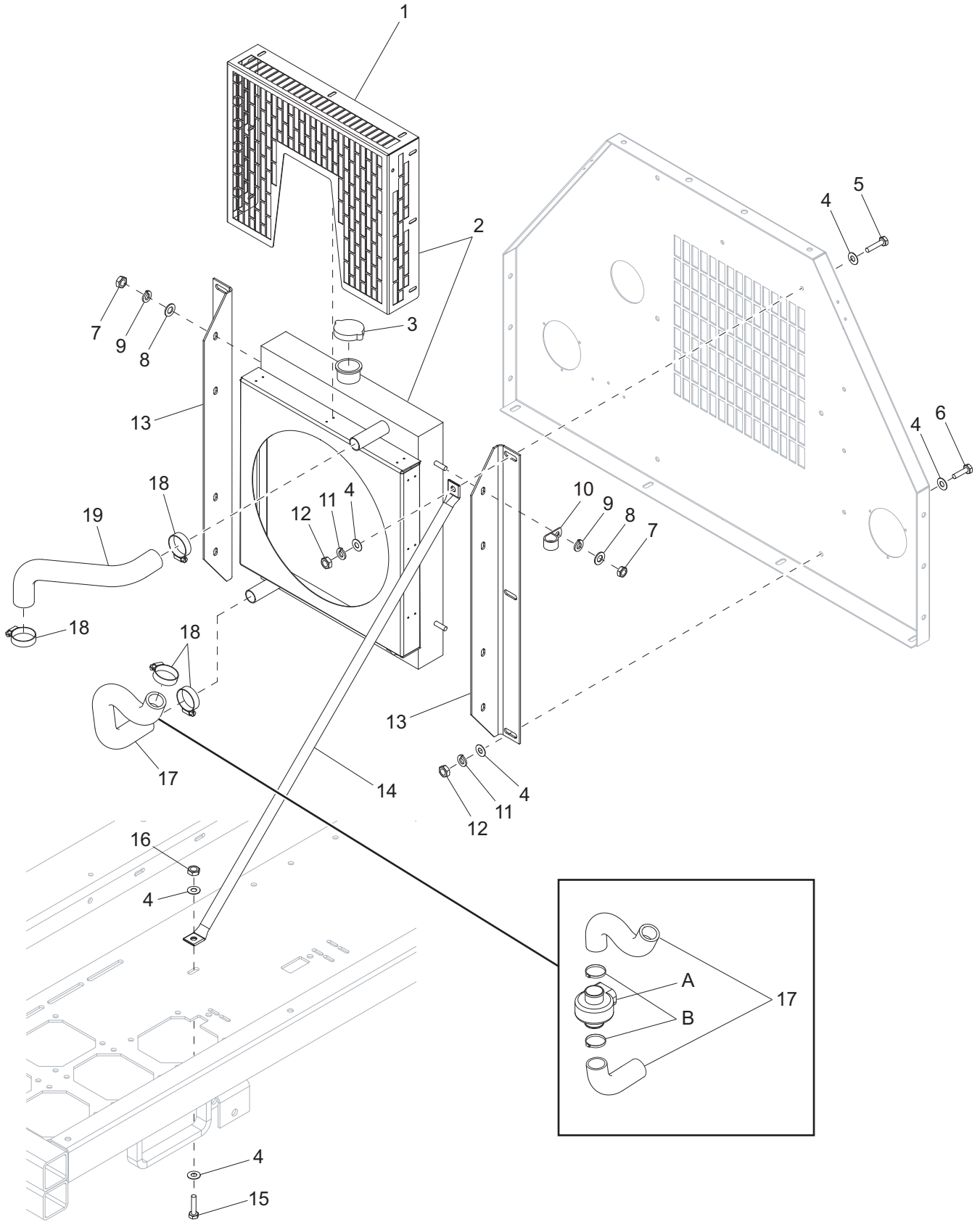
9



10

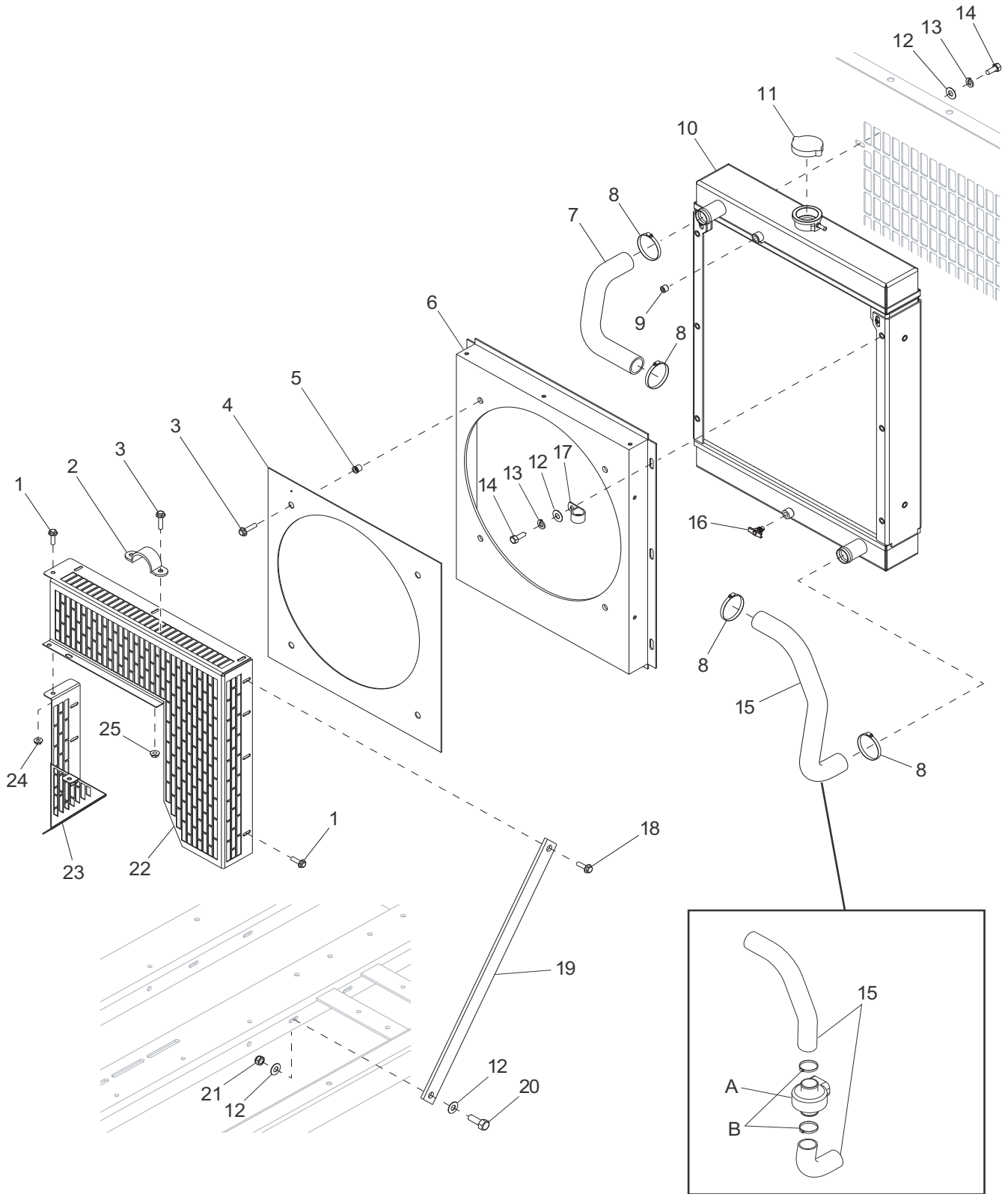
ITEM	PART	QTY	DESCRIPTION
1	14130	2	Receptacle, 120V/20A GFCI
2	14137	-	Receptacle, 240V/30A twist-lock
3	18089	-	Receptacle, 125/250V/50A twist-lock
4	65488	-	Receptacle, 240V/30A twist-lock
5	65849	2	Breaker, 20A/120V 1-pole, push button
6	65851	2	Breaker, 30A/250V 2-pole screw term, w/aux
7	65492	-	Breaker, 50A/250V 2-pole aux contact
8	65489	1	Receptacle, 120V/30A (TT-30R) (RV)
9	65520	1	Cover, receptacle - weatherproof, 50A, 3-wire
10	65815	-	Receptacle, 240V/50A (14-50R) (RV)
-	90316	1	Receptacle panel, (3x5-20R, 1xL14-30R, 2xL14-50) Not shown

COOLING SYSTEM ASSEMBLY - MLG8



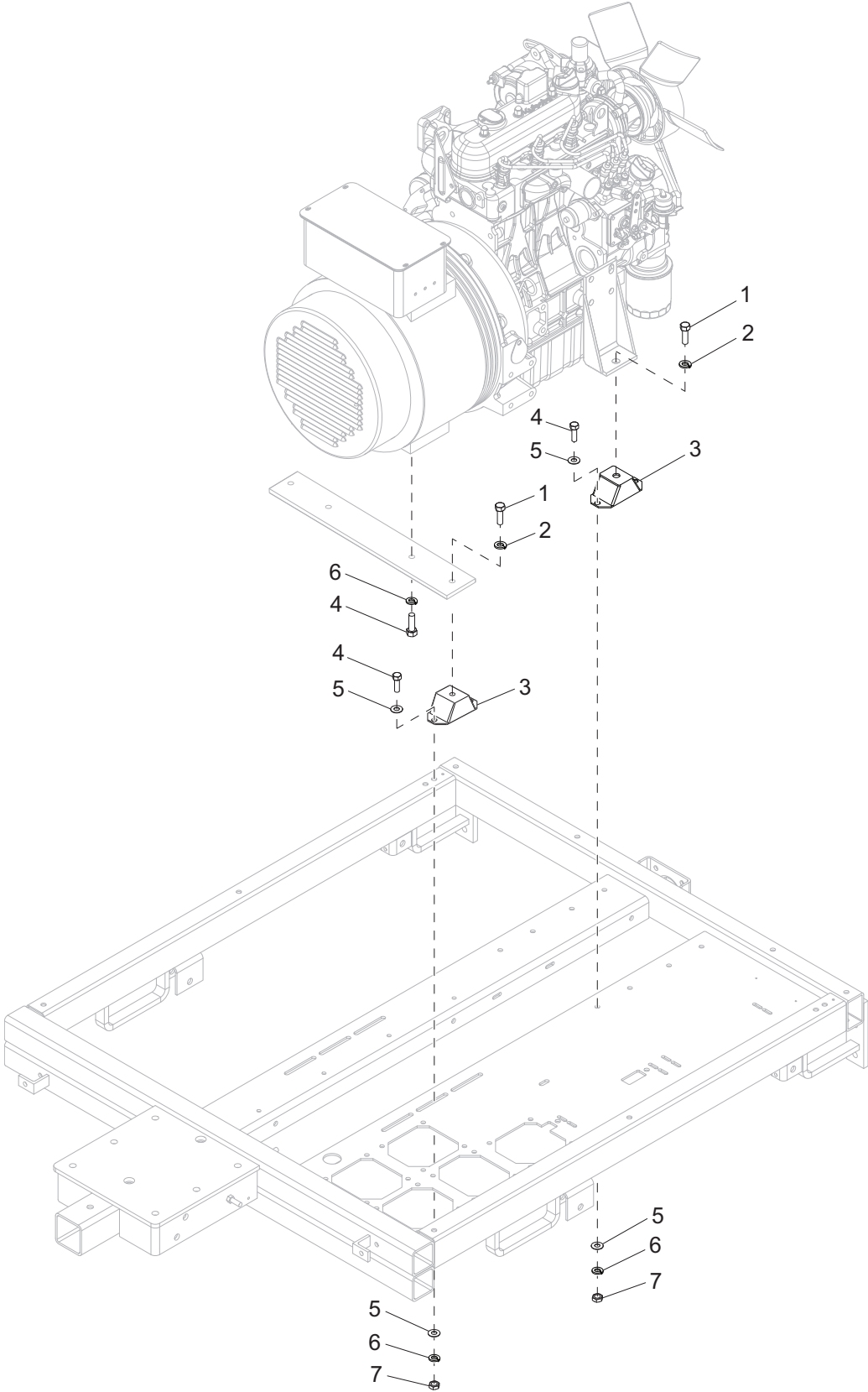
ITEM	PART	QTY	DESCRIPTION	NOTES
1	11413	1	Fan guard	
2	13924	1	Radiator w/fan guard	
3	19219	1	Cap, pressure radiator - 14 psi	
4	60698	12	Washer, .375 flat .875/.040, SS	
5	61036	1	Screw, .375-16x1.25 std hex, SS	
6	60690	5	Screw, .375-16x1.0 std hex, SS	
7	60032	4	Nut, M8-1.25 hex, G8.8	
8	60271	4	Washer, .312 split lock	
9	60243	4	Washer, .250 flat .735/.060	
10	15627	2	Clamp, tubing - .625 hvy duty	
11	60703	6	Washer, .375 split lock, SS	
12	60140	6	Nut, .375-16 hex, G5	
13	11683B	2	Bracket, radiator	
14	13604B	1	Strut, reinforcing	
15	60690	1	Screw, .375-16x1.0 std hex, SS	
16	60358	1	Nut, .375-16 nylock, G5	
17	12350	1	Hose, radiator - lower	
18	15422	4	Clamp, hose - SAE 020 (.75-1.75)	
19	16687	1	Hose, radiator - upper	
A	65649	1	Heater, engine - low radiator hose, 1 in	Option: engine heater
B	15422	2	Clamp, hose - SAE 020 (.75-1.75)	

COOLING SYSTEM ASSEMBLY - MLG15, MLG20



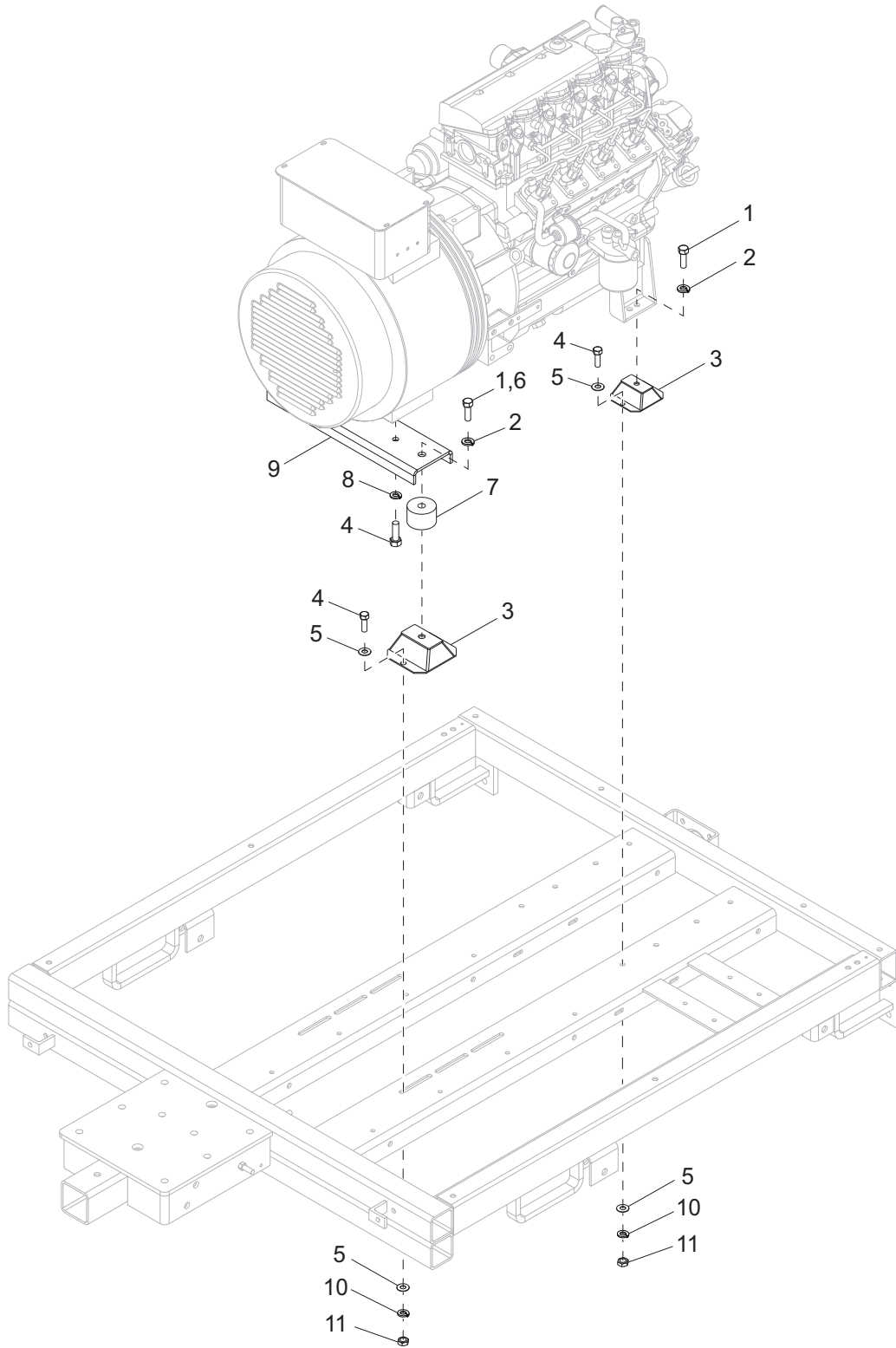
ITEM	PART	QTY	DESCRIPTION	NOTES
1	60115	8	Screw, M6-1.0x12 sflg hex, G8.8	
2	60821	1	Strap, plastic - 2.375 OD	MLG20 only
3	60009	6	Screw, M8-1.25x25 sflg hex, G8.8	
4	11757B	1	Plate, adapter shroud	MLG15 only
5	60022	4	Insert, threaded M8-1.0 splined	
6	11626B	1	Weldment, fan shroud	
7	12064	1	Hose, top radiator	MLG20 only
	11891	1	Hose, top radiator	MLG15 only
8	15422	4	Clamp, hose - SAE 020 (.75-1.75)	
9	60776	1	Fitting, plug - .250NPT hex, flush mount	
10	26305	1	Radiator, alum	
11	19219	1	Cap, radiator pressure - 14.7 psi	
12	60340	14	Washer, .312 flat .875/.040, SS	
13	60341	12	Washer, M8 split lock, SS	
14	60687	12	Screw, .312-18x.750 std hex, SS	
15	32169	1	Hose, lower radiator	MLG20 only
	15185	1	Hose, lower radiator	MLG15 only
16	63176	1	Fitting, strt - .250MNPT	
17	15627	2	Clamp, tubing - .625 hvy duty	
18	60024	1	Screw, M6-1.0x25 sflg hex, class 90	
19	11596B	1	Strut, radiator support	MLG20 only
20	60028	1	Screw, .312-18x1.0 std hex, G5	
21	60303	1	Nut, .312-18 nylock, G2	
22	11760B	1	Panel, fan guard - right	
23	11769B	1	Weldment, fan guard - left	MLG20 only
	11767B	1	Weldment, fan guard - left	MLG15 only
24	60036	1	Nut, M6-1.0 sflg lock, G8.8	
25	60020	2	Nut, M8-1.25 sflg lock, G8.8	
A	65650	1	Heater, engine - lower rad. hose 1.5 in	Option: MLG20 only
	65648	1	Heater, engine - lower rad. hose 1.25 in	Option: MLG15 only
B	15422	2	Clamp, hose - SAE 020 (.75-1.75)	

ENGINE AND GENERATOR TO SKID - MLG8



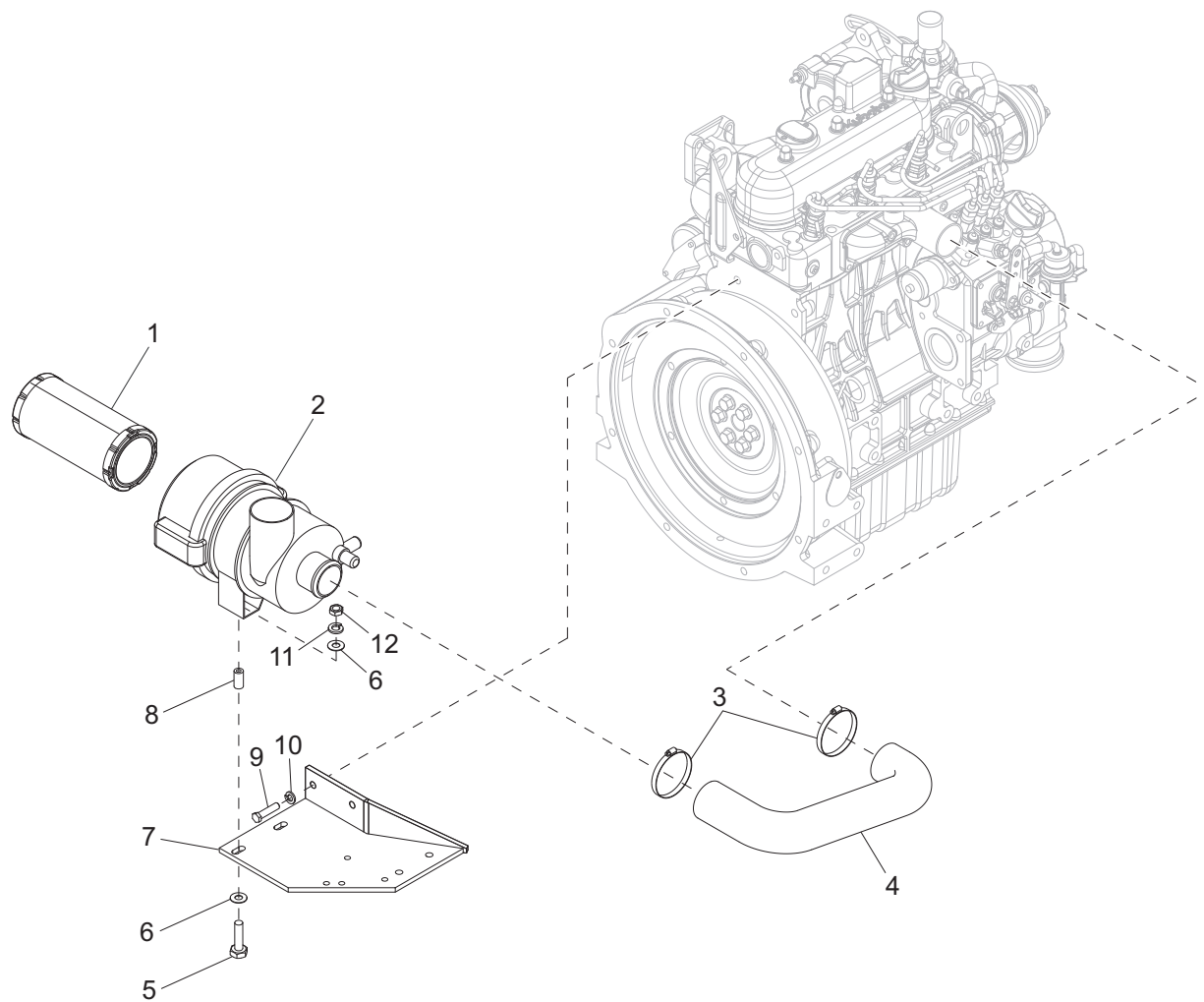
ITEM	PART	QTY	DESCRIPTION	NOTES
1	60275	4	Screw, .500-13x1.0 std hex, G5	
2	60702	4	Washer, .500 split lock, SS	
3	15241	4	Isolator, rubber - 80-200 lbs	
4	60205	10	Screw, .375-16x1.0 std hex, G5	
5	60698	16	Washer, .375 flat .875/.040, SS	
6	60206	10	Washer, .375 split lock	
7	60140	8	Nut, .375-16 hex, G5	

ENGINE & GENERATOR TO SKID - MLG15, MLG20



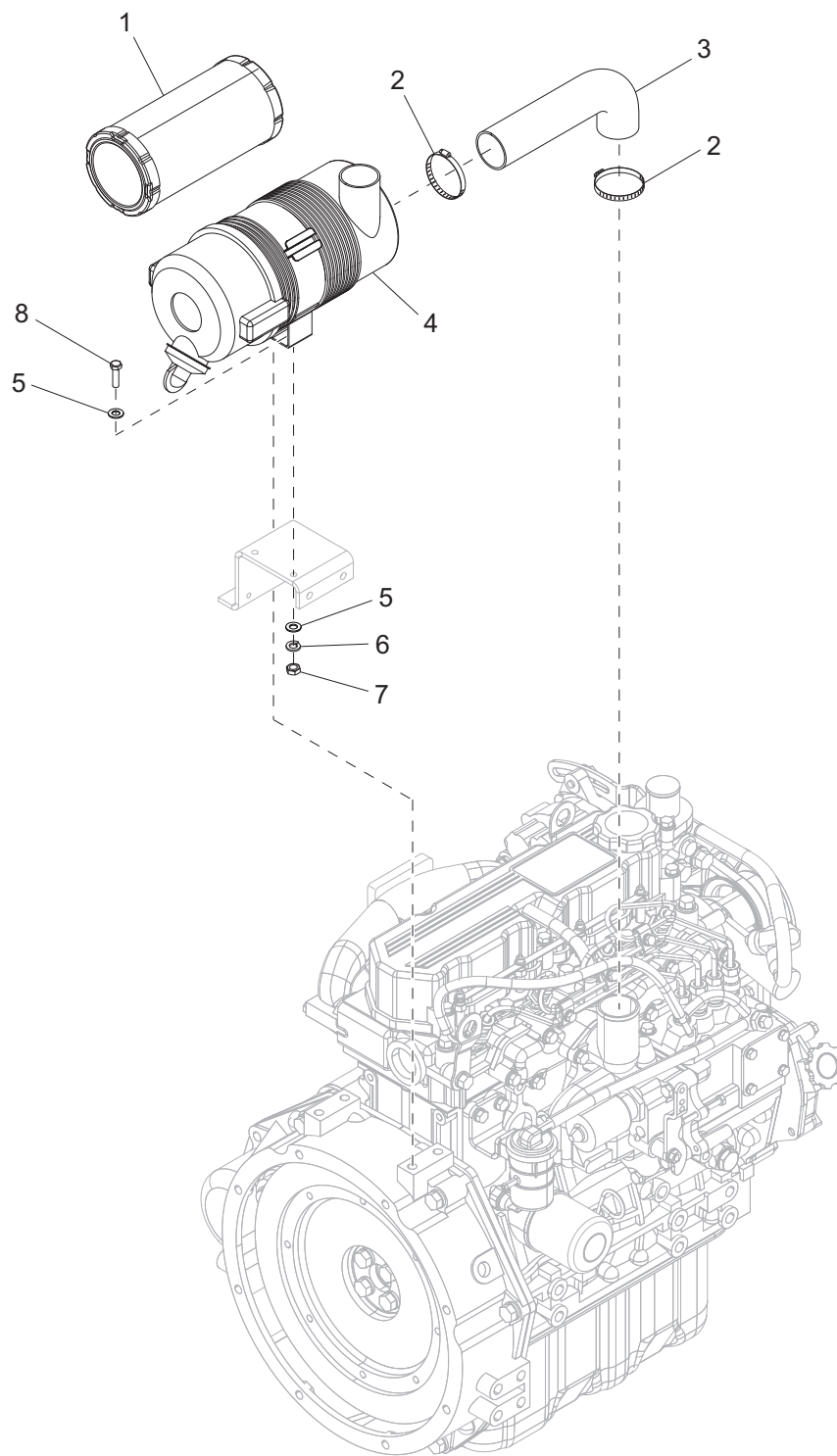
ITEM	PART	QTY	DESCRIPTION	NOTES
1	60275	4	Screw, .500-13x1.0 std hex, G5	
2	60702	4	Washer, .500 split lock, SS	
3	11524	4	Isolator, rubber - 4.38x4.0x1.50 high	
4	60205	10	Screw, .375-16x1.0 std hex, G5	
5	60698	16	Washer, .375 flat .875/.040, SS	
6	60484	2	Screw, .500-13x2.0 std hex, G5	MLG20 only
7	11515B	2	Spacer - 2.0 ODX.531 IDx1.0 long	MLG20 only
8	60026	2	Washer, M10 split lock	
9	11597B	1	Bracket, gen mount	
10	60206	8	Washer, .375 split lock	
11	60140	8	Nut, .375-16 hex, G5	

AIR FILTER ASSEMBLY - MLG8



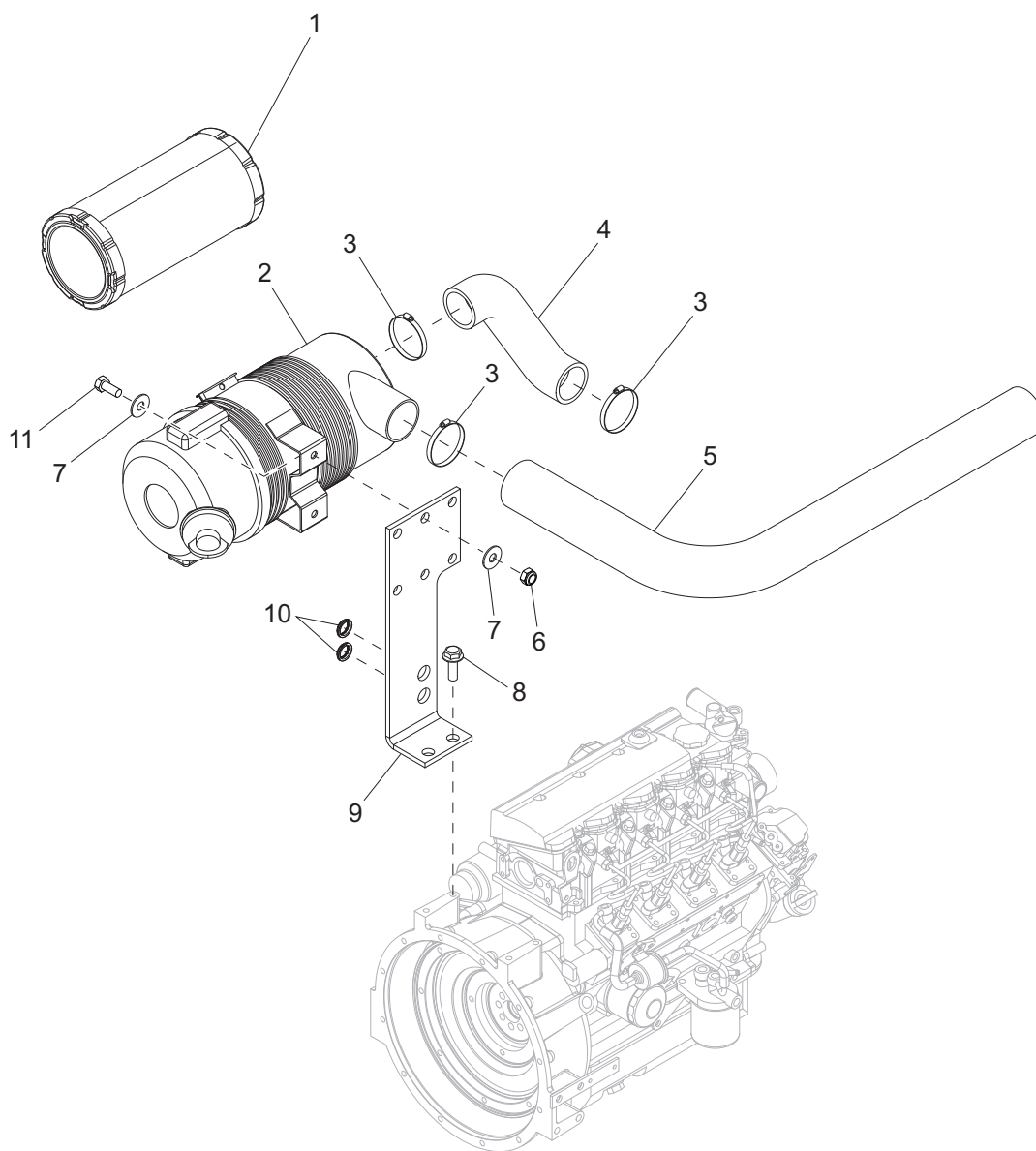
ITEM	PART	QTY	DESCRIPTION	NOTES
1	16444	1	Element, air filter	
2	34066	1	Filter, air, w/bracket	
3	60316	2	Clamp, hose - SAE 032 (1.56-2.50)	
4	16589	1	Hose, air cleaner	
5	60403	2	Screw, .312-18x2.0 std hex, G5	
6	60243	4	Washer, .250 flat .735/.060	
7	13483B	1	Weldment, filter bracket	
8	41235ZY	2	Spacer, .75 ODx.375 IDx1.0 long	
9	61082	2	Screw, M8-1.25x20 std hex, G8.8	
10	60029	2	Washer, M8 split lock	
11	60271	2	Washer, .312 split lock	
12	60285	2	Nut, .312-18 hex, G2	

AIR FILTER ASSEMBLY - MLG15



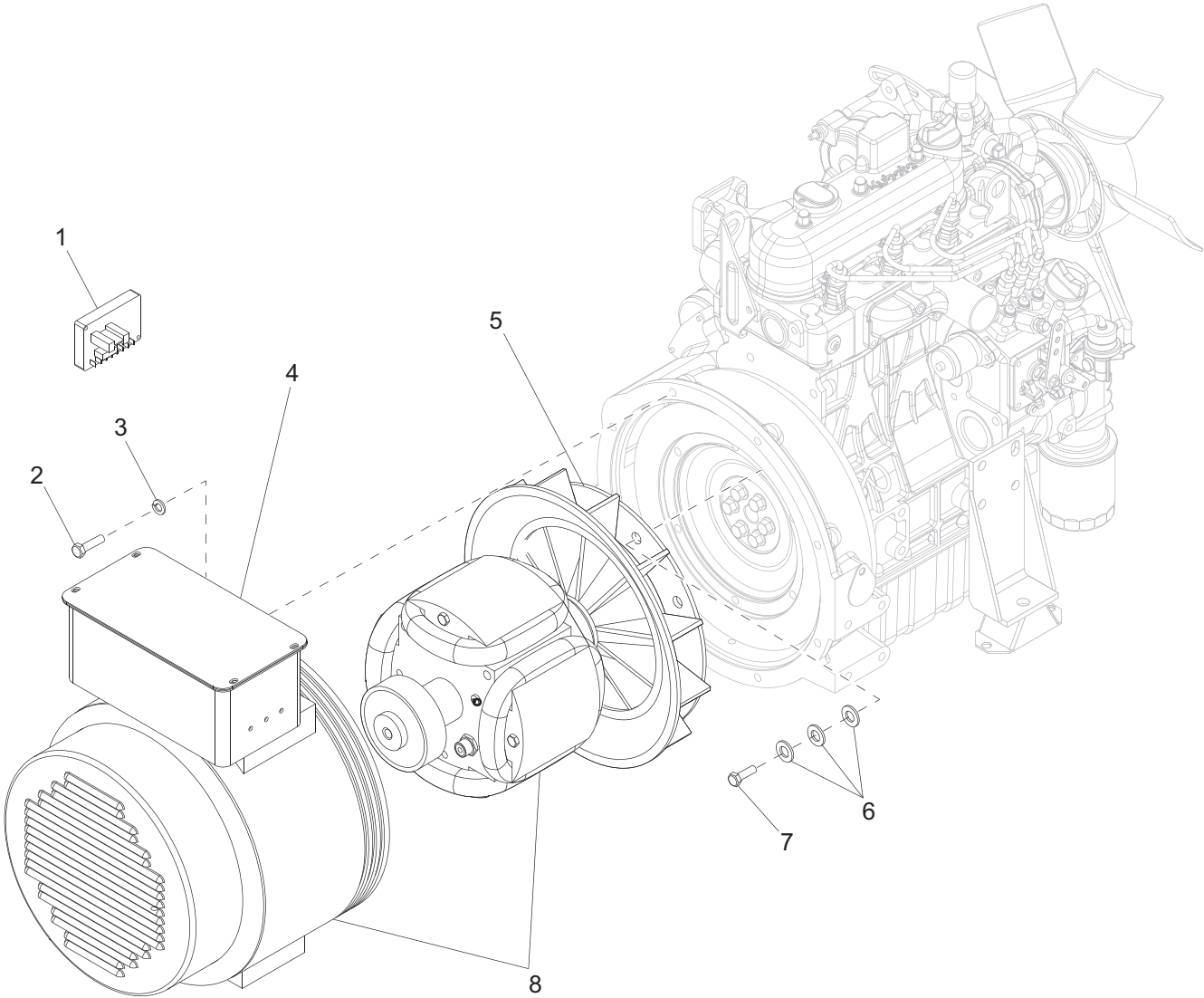
ITEM	PART	QTY	DESCRIPTION	NOTES
1	16444	1	Element, air filter	
2	60316	2	Clamp, hose - SAE 032 (1.56-2.50)	
3	13695	1	Hose, air cleaner	
4	34066	1	Filter, air, w/bracket	
5	60243	4	Washer, .250 flat .735/.060	
6	60271	2	Washer, .312 split lock	
7	60285	2	Nut, .312-18 hex, G2	
8	61061	2	Screw, .312-18x.875 std hex, G5	

AIR FILTER ASSEMBLY - MLG20



ITEM	PART	QTY	DESCRIPTION	NOTES
1	21937	1	Element, air filter	
2	21505	1	Filter, air	
3	60316	3	Clamp, hose - SAE 032 (1.56-2.50)	
4	22320	1	Hose, air filter	
5	22289	1	Hose, radiator - upper	
6	60303	2	Nut, .312-18 nylock, G2	
7	60119	4	Washer, .312 flat .875/.070	
8	60018	2	Screw, M10-1.25x20 sflg hex, class 90	
9	12990B	1	Bracket, air filter	
10	12231	2	Grommet, rubber - .500 IDx.25 thk	
11	61061	2	Screw, .312-18x.875 std hex, G5	

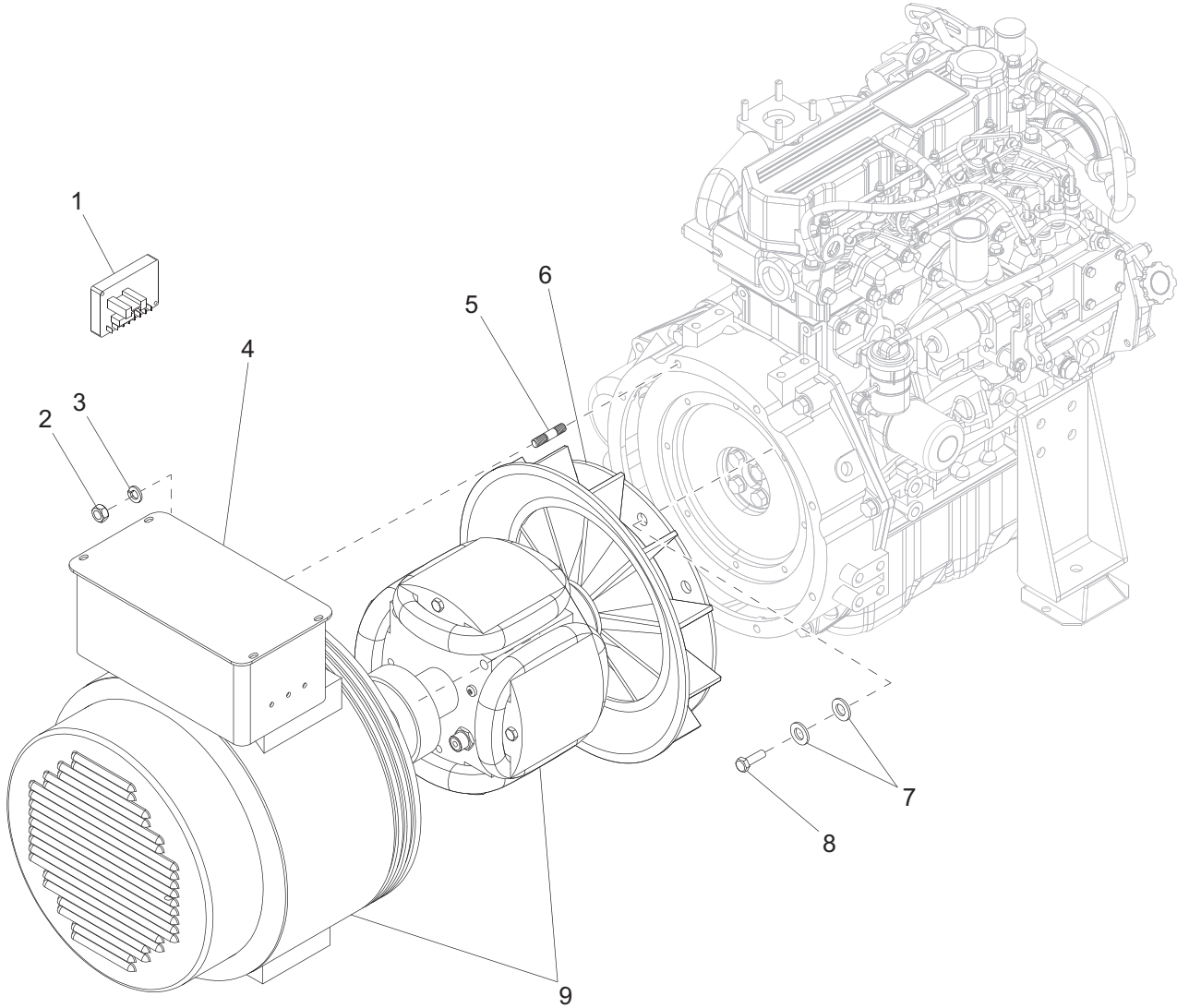
GENERATOR ASSEMBLY - MLG8



ITEM	PART	QTY	DESCRIPTION	NOTES
1	18556	1	Regulator, voltage - SE 350	
2	60352	8	Screw, .375-16x1.250 std hex, G5	
3	60206	8	Washer, .375 split lock	
4	12736	1	Cover, generator box	
5	11000	1	Plate, drive	
6	60166	18	Washer, M8 flat	
7	60168	6	Screw, .312-18x.750 std hex, G5	
8	13740	1	Generator, Marathon 332CSA/B3018	
--	16216	1	Assembly, generator harness - 8KW	Not shown
--	15045B	1	Bracket, generator mounting	Not shown

Note: Engine and generator parts used in all Magnum Power Products LLC equipment carry the Original Equipment Manufacturer (OEM) warranty unless otherwise stated. OEM warranty parts must be purchased through an OEM dealer. Please contact Magnum Power Products LLC with questions.

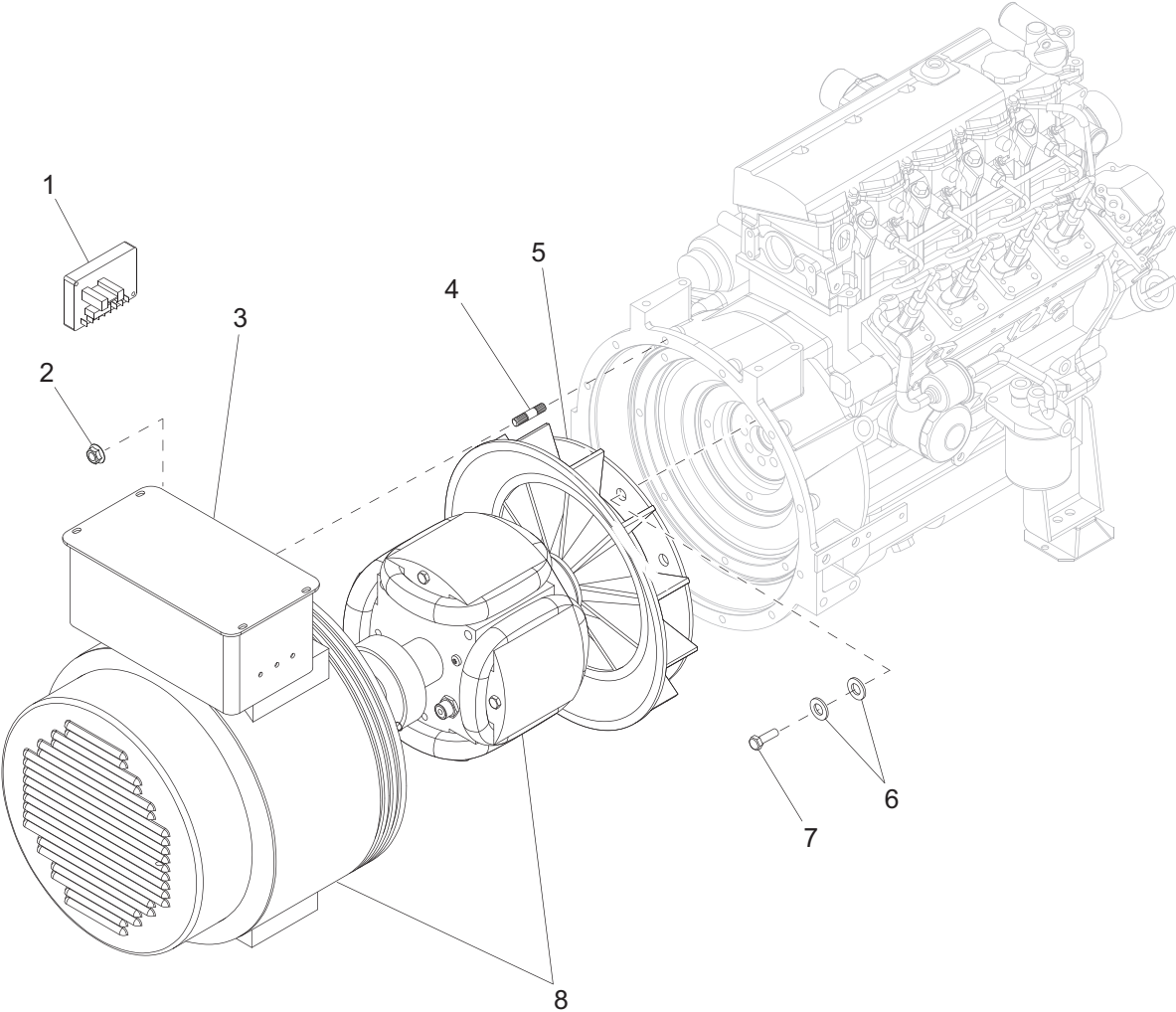
GENERATOR ASSEMBLY - MLG15



ITEM	PART	QTY	DESCRIPTION	NOTES
1	18556	1	Regulator, voltage - SE 350	
2	60344	8	Nut, M10-1.25 hex, SS	
3	60026	8	Washer, M10 split lock	
4	32509	1	Cover, generator box	
5	60795	8	Stud, M10-1.25x48, G8.8	
6	11000	1	Plate, drive	
7	60166	16	Washer, M8 flat	
8	60165	8	Screw, M8-1.25x16 std hex, G10.9	
9	11327	1	Generator, Marathon 333CSA3024	

Note: Engine and generator parts used in all Magnum Power Products LLC equipment carry the Original Equipment Manufacturer (OEM) warranty unless otherwise stated. OEM warranty parts must be purchased through an OEM dealer. Please contact Magnum Power Products LLC with questions.

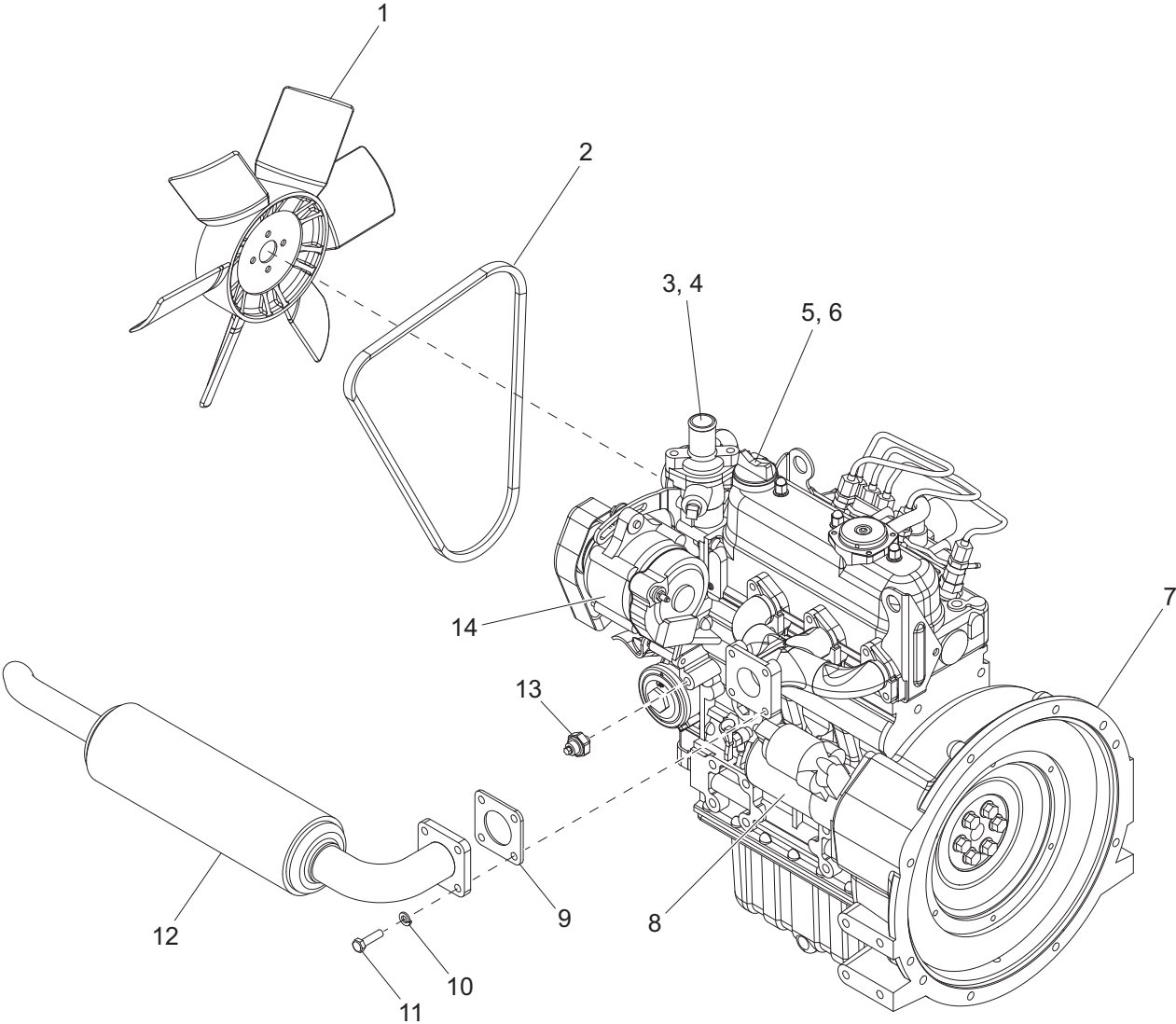
GENERATOR ASSEMBLY - MLG20



ITEM	PART	QTY	DESCRIPTION	NOTES
1	18556	1	Regulator, voltage - SE 350	
2	60064	6	Nut, M10-1.50 sflg, G8.8	
3	32509	1	Cover, generator box	
4	60819	6	Stud, M10-1.50x48	
5	11000	1	Plate, drive	
6	60166	16	Washer, M8 flat	
7	60064	6	Nut, M10-1.50 sflg, G8.8	
8	11481	1	Generator, Marathon 334CSA3028	

Note: Engine and generator parts used in all Magnum Power Products LLC equipment carry the Original Equipment Manufacturer (OEM) warranty unless otherwise stated. OEM warranty parts must be purchased through an OEM dealer. Please contact Magnum Power Products LLC with questions.

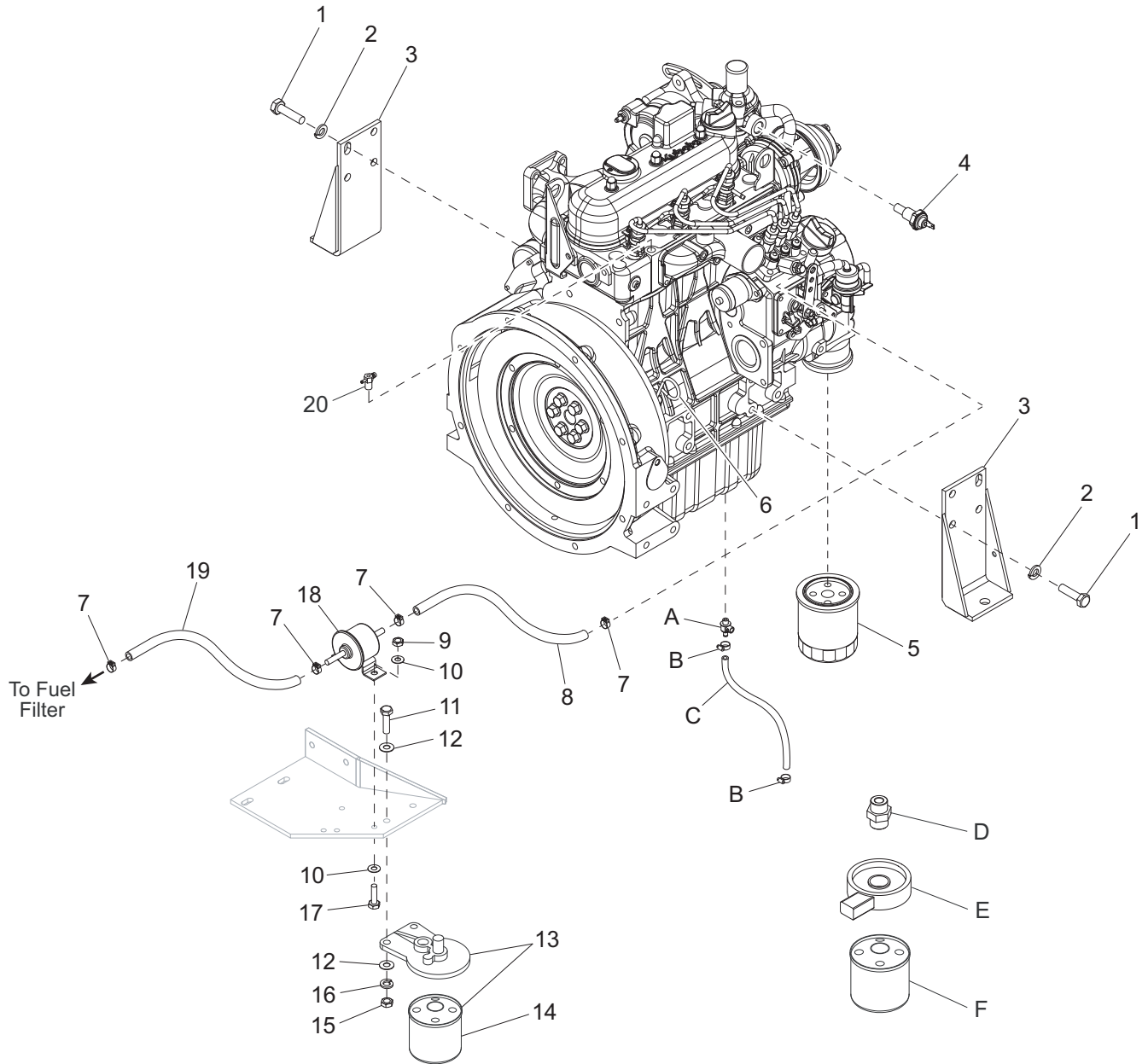
ENGINE ASSEMBLY - LEFT SIDE - MLG8



ITEM	PART	QTY	DESCRIPTION	NOTES
1	15495	1	Fan, pusher, Kubota	
2	11628	1	V-belt, Kubota	
3	12488	1	Thermostat assembly, Kubota D1105	
4	12489	1	Thermostat gasket, Kubota D1105	
5	12484	1	Cap, oil fill	
6	10758	1	O-ring, oil fill cap, Kubota D1105	
7	13281	1	Engine, Kubota D1105	
8	13298	1	Starter, engine - 12V 1.4KW, Kubota D1105	
9	11042	1	Gasket, exhaust manifold	
10	60271	4	Washer, .312 split lock	
11	63168	4	Screw, M8-1.25x30 std hex, G10.9	
12	13709	1	Muffler, Kubota - 30° flare	
13	18106	1	Sensor, oil pressure	
14	12486	1	Alternator, Kubota D1105	

Note: Engine and generator parts used in all Magnum Power Products LLC equipment carry the Original Equipment Manufacturer (OEM) warranty unless otherwise stated. OEM warranty parts must be purchased through an OEM dealer. Please contact Magnum Power Products LLC with questions. Some Kubota engine parts are serial number specific. Please contact **Kubota Engine America Corp.** or the Magnum Power Products Technical Service Department at 1-800-926-9768 for information regarding engine parts.

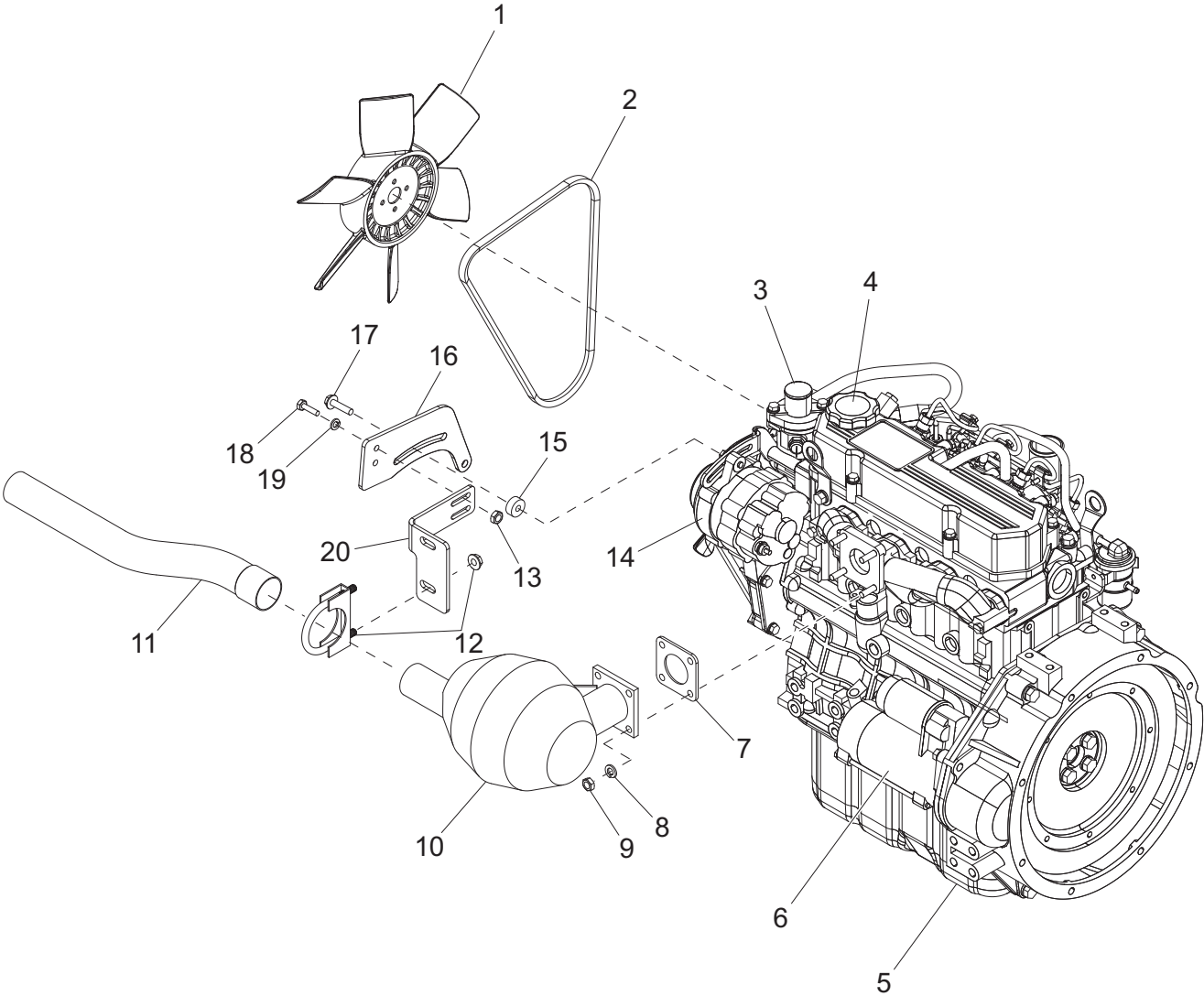
ENGINE ASSEMBLY - RIGHT SIDE - MLG8



ITEM	PART	QTY	DESCRIPTION	NOTES
1	60422	8	Screw, M10-1.25x25 std hex, G8.8	
2	60026	8	Washer, M10 split lock	
3	12338B	2	Weldment, engine mount	
4	14099	1	Switch, coolant temperature	
5	10775	1	Filter, oil, Kubota D1105	
6	12483	1	Dipstick, engine oil	
7	60777	4	Clamp, hose - .312 fuel hose	Crimp style
8	50018	1 ft	Hose, fuel - .312 ID, 50 psi, SAE 30R7	
9	60144	2	Nut, .250-20 nylock, G5	
10	60696	4	Washer, .250 flat .625/.050, SS	
11	62001	2	Screw, .312-18x1.250 std hex, G5	
12	60243	4	Washer, .250 flat .735/.060	
13	13481	1	Assembly, fuel filter, Kubota	
14	13515	1	Element, fuel filter	
15	60285	2	Nut, .312-18 hex, G2	
16	60271	2	Washer, .312 split lock	
17	60393	2	Screw, .250-20x1.0 std hex, G5	
18	13278	1	Fuel pump, electric, Kubota	
19	50018	1.5 ft	Hose, fuel - .312 ID, 50 psi, SAE 30R7	
20	13526	1	Joint eye, double port, Kubota	
--	11988?	1	Glow plug, engine - Kubota D1105	Not shown
--	16874	1	Assembly, engine harness	Not shown
A	60766	1	Valve, drain - 18 mm-1.5 w/nipple	Option: oil drain valve
B	15422	2	Clamp, hose - SAE 020 (.75-1.75)	Option: oil drain valve
C	12227	1	Hose, oil drain .375x20, 30R7	Option: oil drain valve
D	10407	1	Adapter, heater element	Option: heated fuel filter
E	13682	1	Heater, fuel filter	Option: heated fuel filter
F	13515	1	Element, fuel filter	Option: heated fuel filter
--	13834	1	Gasket, heated fuel filter	Option: heated fuel filter (not shown)
--	10662	1	Harness, fuel filter heater - outside	Option: heated fuel filter (not shown)
--	13684	1	Harness, fuel filter heater - inside	Option: heated fuel filter (not shown)

Note: Engine and generator parts used in all Magnum Power Products LLC equipment carry the Original Equipment Manufacturer (OEM) warranty unless otherwise stated. OEM warranty parts must be purchased through an OEM dealer. Please contact Magnum Power Products LLC with questions. Some Kubota engine parts are serial number specific. Please contact **Kubota Engine America Corp.** or the Magnum Power Products Technical Service Department at 1-800-926-9768 for information regarding engine parts.

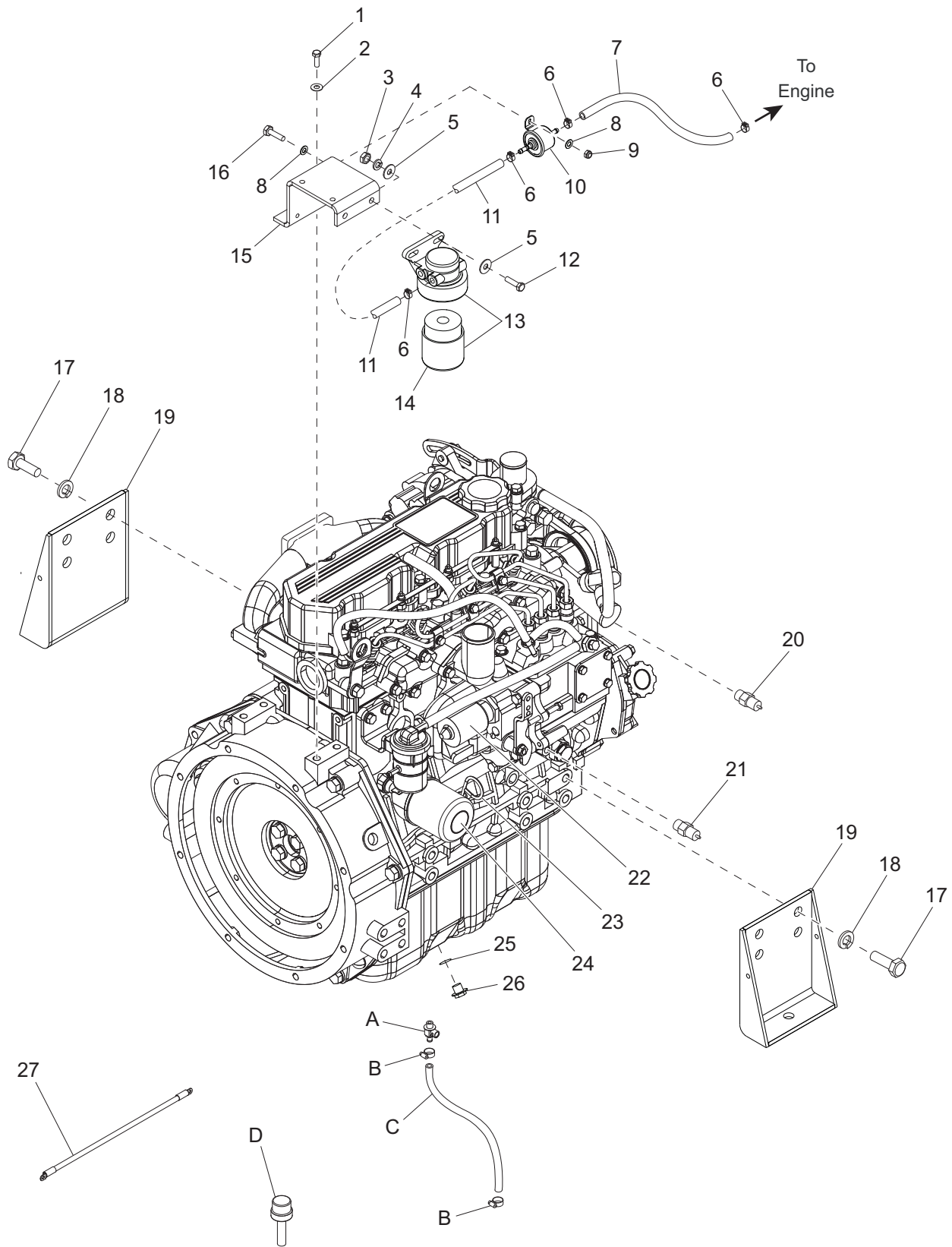
ENGINE ASSEMBLY - LEFT SIDE - MLG15



ITEM	PART	QTY	DESCRIPTION	NOTES
1	12648	1	Fan, pusher, Mitsubishi	
2	12746	1	V-belt, alternator, Mitsubishi	
3	13984	1	Thermostat (Tier IV engines)	
	12598	1	Thermostat (Tier II & Tier III engines)	
4	12582	1	Cap, oil filler, Mitsubishi	
5	13048	1	Engine, Mitsubishi S4L2 Int. Tier IV	
6	13266	1	Starter assembly, Mitsubishi	
7	11042	1	Gasket, exhaust manifold	
8	60271	4	Washer, .312 split lock	
9	60032	4	Nut, M8-1.25 hex, G8.8	
10	17779	1	Muffler, Mitsubishi S4L (MAC)	
11	17809	1	Pipe, exhaust	
12	18823	1	Clamp, 2 in. muffler	
13	60284	2	Nut, .250-20 hex, G2	
14	12753	1	Assembly, alternator 12V, Mitsubishi	
15	12144B	1	Spacer, alternator bracket	
16	14342B	1	Bracket, kegger muffler	
17	60238	1	Screw, M8-1.25x40 sflg hex, G8.8	
18	60393	4	Screw, .250-20x1.0 std hex, G5	
19	60286	2	Washer, .250 split lock	
20	14343B	1	Bracket, kegger muffler	

Note: Engine and generator parts used in all Magnum Power Products LLC equipment carry the Original Equipment Manufacturer (OEM) warranty unless otherwise stated. OEM warranty parts must be purchased through an OEM dealer. Please contact Magnum Power Products LLC with questions.

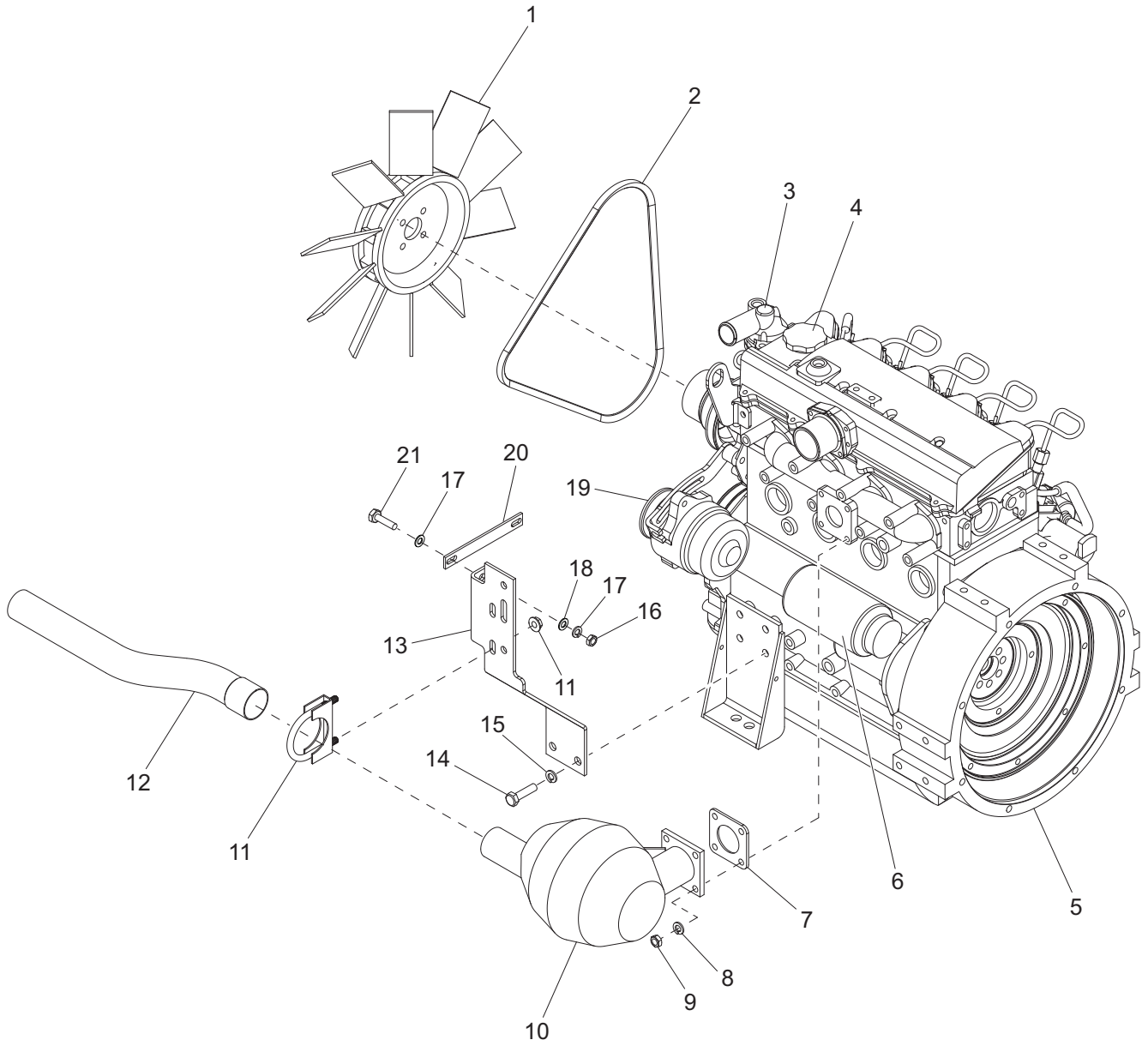
ENGINE ASSEMBLY - RIGHT SIDE - MLG15



ITEM	PART	QTY	DESCRIPTION	NOTES
1	60422	2	Screw, M10-1.25x25 std hex, G8.8	
2	60026	2	Washer, M10 split lock	
3	60285	4	Nut, .312-18 hex, G2	
4	60701	4	Washer, .312 split lock, SS	
5	60340	4	Washer, .312 flat .875/.040, SS	
6	60777	4	Clamp, hose - .312 fuel hose	Crimp style
7	50018	1 ft	Hose, fuel - .312 ID, 50 psi, SAE 30R7	
8	60696	4	Washer, .250 flat .625/.050, SS	
9	60144	2	Nut, .250-20 nylock, G5	
10	13278	1	Fuel pump, Kubota electric	
11	50018	1.5 ft	Hose, fuel - .312 ID, 50 psi, SAE 30R7	
12	62001	2	Screw, .312-18x1.250 std hex, G5	
13	17641	1	Filter, fuel - head & element	
14	17647	1	Element, fuel filter, Mitsubishi	
15	11745B	1	Bracket, fuel/air filter	
16	60393	4	Screw, .250-20x1.0 std hex, G5	
17	61087	8	Screw, M12-1.25x25 std hex, G10.9	
18	60702	8	Washer, .500 split lock, SS	
19	11732B	2	Weldment, engine mount	
20	16678	1	Switch, coolant temperature	
21	16677	1	Switch, oil pressure	
22	12829	1	Solenoid, fuel shut-down, Mitsubishi	
23	12586	1	Dipstick, oil, Mitsubishi	
24	16691	1	Filter, oil, Mitsubishi	
25	13085	1	Gasket, oil drain, Mitsubishi	
26	13084	1	Plug, oil drain, Mitsubishi	
27	22438	1	Strap, braided ground - 16 in	
--	16874	1	Assembly, engine harness	Not shown
A	11952	1	Valve, drain - 20mm x 1.5 w/nipple	Option: oil drain
B	15422	2	Clamp, hose - .SAE 020 (.75-1.75)	Option: oil drain
C	12438	1	Hose, oil drain .375x30, 30R7	Option: oil drain
D	13876	1	Kit, heater - fuel filter	Option: heated fuel filter
--	13684	1	Harness, fuel filter heater - inside	Option: heated fuel filter (not shown)

Note: Engine and generator parts used in all Magnum Power Products LLC equipment carry the Original Equipment Manufacturer (OEM) warranty unless otherwise stated. OEM warranty parts must be purchased through an OEM dealer. Please contact Magnum Power Products LLC with questions.

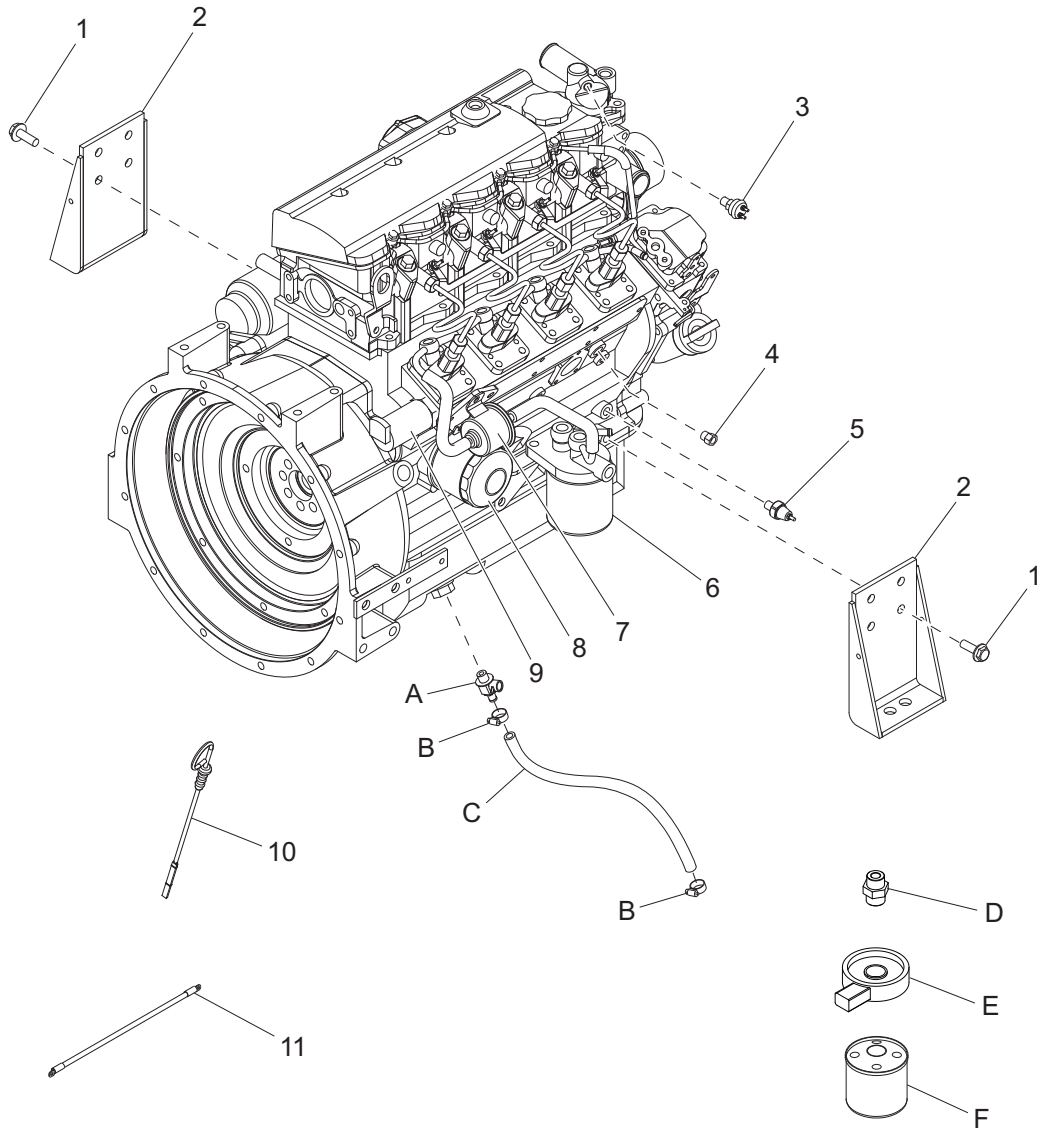
ENGINE ASSEMBLY - LEFT SIDE - MLG20



ITEM	PART	QTY	DESCRIPTION	NOTES
1	19258	1	Fan, 15.75 in	
2	22258	1	Belt, fan	
3	12534	1	Thermostat - 4LE-PV05	
4	16184	1	Cap, oil filler, Isuzu	
5	10896	1	Engine, Isuzu 4LE1NYGV-03	
6	26033	1	Starter assembly, 4LE1-PV05 Isuzu	
7	11042	1	Gasket, exhaust manifold	
8	60271	4	Washer, .312 split lock	
9	60032	4	Nut, M8-1.25 hex, G8.8	
10	10795	1	Muffler, Isuzu 4LE1	
11	18823	1	Clamp, 2.0 in. muffler	
12	17809	1	Pipe, exhaust	
13	14340B	1	Bracket, muffler mounting	
14	60177	2	Screw, M10-1.50x30 std hex, G10.9	
15	60026	2	Washer, M10 split lock	
16	60140	1	Nut, .375-16 hex, G5	
17	60206	1	Washer, .375 split lock	
18	60698	2	Washer, .375 flat .875/.040, SS	
19	26049	1	Alternator, Isuzu	Not shown
--	10703	1	Assembly, engine harness	Not shown
20	14341B	1	Bracket, muffler support	
21	60690	1	Screw, .375-16x1.0 std hex, SS	

Note: Engine and generator parts used in all Magnum Power Products LLC equipment carry the Original Equipment Manufacturer (OEM) warranty unless otherwise stated. OEM warranty parts must be purchased through an OEM dealer. Please contact Magnum Power Products LLC with questions.

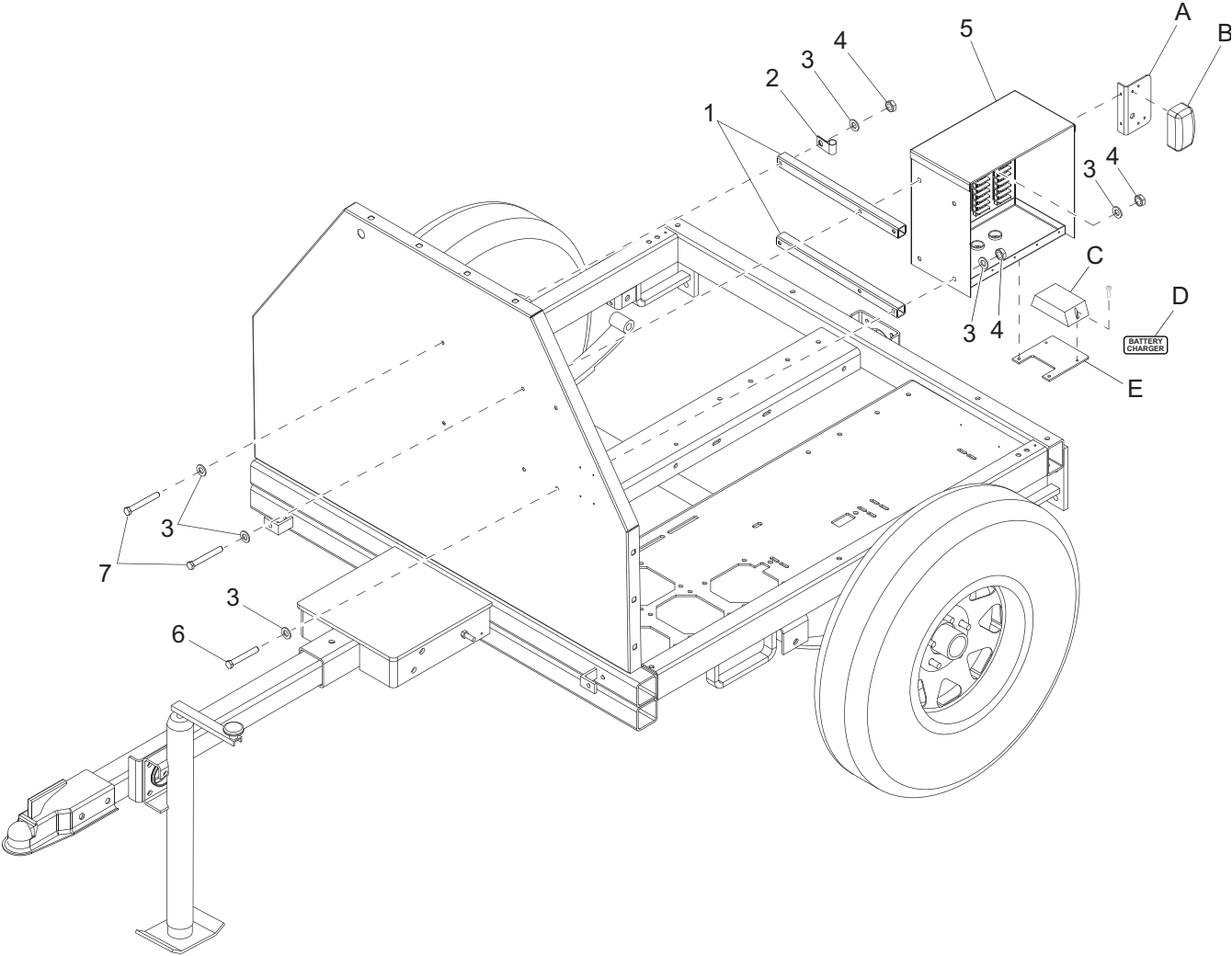
ENGINE ASSEMBLY - RIGHT SIDE - MLG20



ITEM	PART	QTY	DESCRIPTION	NOTES
1	60018	6	Screw, M10x1.25x20 sflg hex, class 90	
2	11471B	2	Weldment, engine mount	
3	17718	1	Switch, water temp, Isuzu	
4	19232	1	Fitting, .125NPTFx.125-28 BSP male	
5	15369	1	Switch, oil pressure	
6	15331	1	Element, fuel filter	
7	16205	1	Pump, fuel, Isuzu	
8	15183	1	Filter, oil, Isuzu	
9	15372	1	Solenoid, fuel shutdown	
10	23899	1	Dipstick, oil, Isuzu	
11	16155	1	Assembly, wire - engine/chassis ground	
A	11952	1	Valve, drain - 20mm-1.5 w/nipple	Option: oil drain
B	15422	2	Clamp, hose - SAE 020 (.75-1.75)	
C	50201	4 ft	Hose, coolant - .625 ID	
D	13683	1	Adapter, heater element	Option: heated fuel filter
E	13682	1	Heater, fuel filter	Option: heated fuel filter
F	13515	1	Fuel filter element	Option: heated fuel filter
--	13684	1	Harness, fuel filter heater - inside	Option: heated fuel filter (not shown)
--	10662	1	Harness, fuel filter heater - outside	Option: heated fuel filter (not shown)

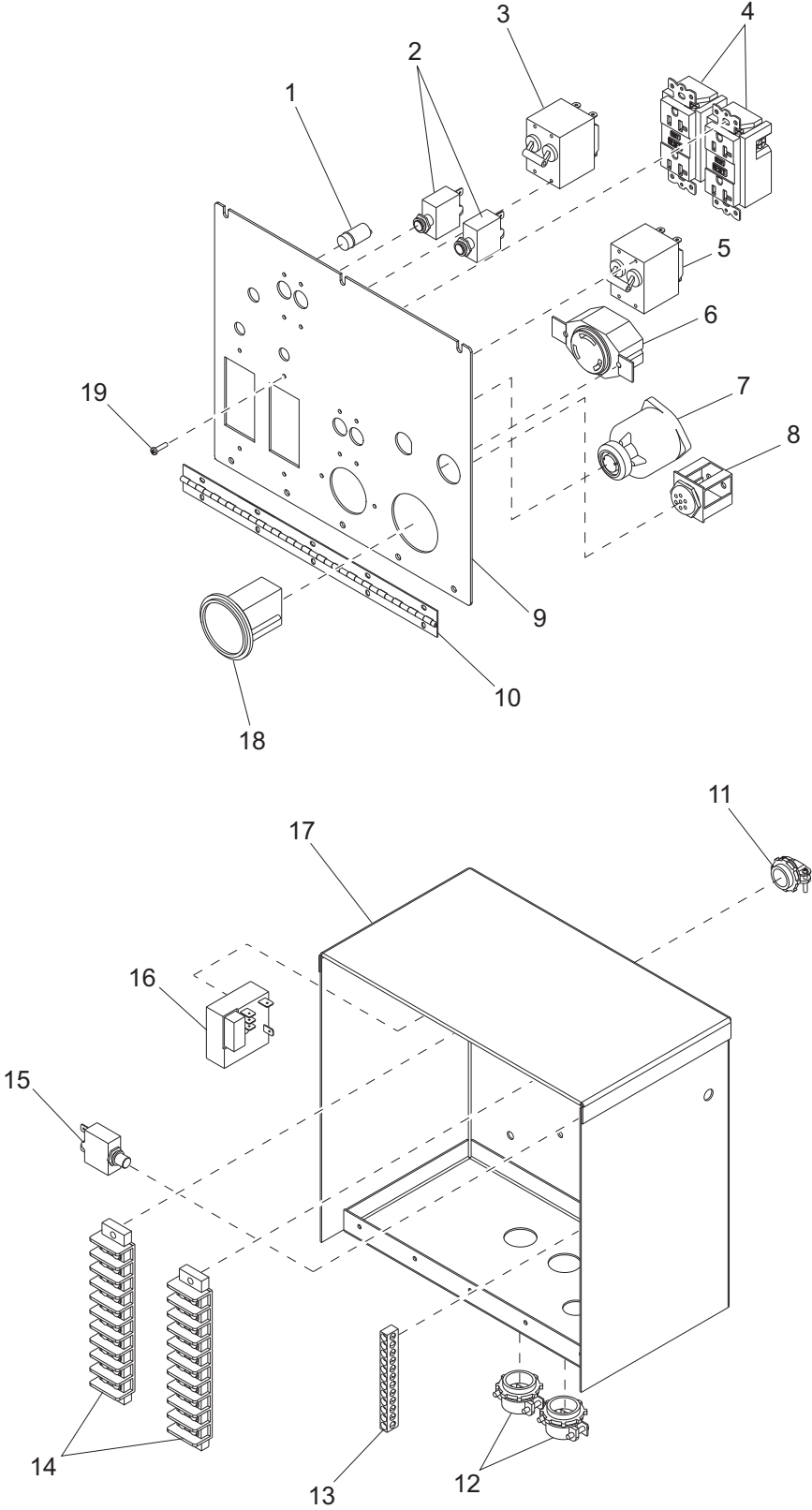
Note: Engine and generator parts used in all Magnum Power Products LLC equipment carry the Original Equipment Manufacturer (OEM) warranty unless otherwise stated. OEM warranty parts must be purchased through an OEM dealer. Please contact Magnum Power Products LLC with questions.

CONTROL BOX TO PANEL



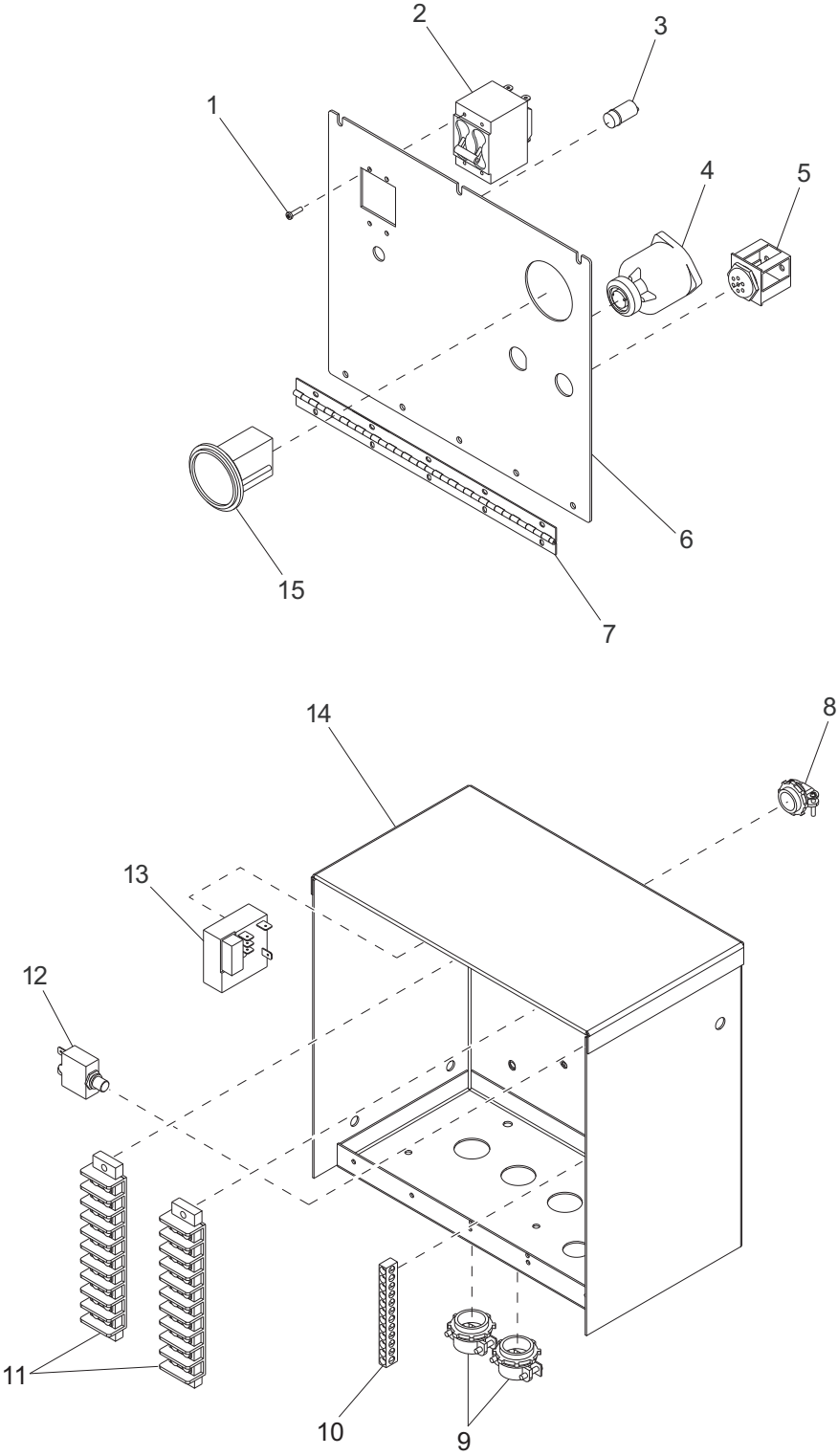
ITEM	PART	QTY	DESCRIPTION	NOTES
1	11543B	2	Spacer, control box	
2	60649	1	Clamp, tubing - .750 hvy duty	MLG8 only
3	60340	12	Washer, .312 flat .875/.040, SS	
4	60303	6	Nut, .312-18 nylock, G2	
5	Page 56	1	Assembly, completed control box	MLG8
	Page 58	1	Assembly, completed control box	MLG15 & 20
6	60785	1	Screw, .312-18x2.00 std hex, SS	MLG8 only
7	62043	6	Screw, .312-18x2.25 std hex, SS	
A	11949B	1	Bracket, control box light mount	Option: interior light
B	11947	1	Light, interior, w/switch	Option: interior light
--	65145	1	Holder, fuse - 30A	Option: interior light (not shown)
--	14433	1	Level, eye	Option: interior light (not shown)
C	65326	1	Charger, battery - 2A, 3-stage	Option: battery charger
D	21259	1	Decal, battery charger	Option: battery charger
E	12429B	1	Bracket, battery charger - 2A, 3 stage	Option: battery charger

CONTROL BOX ASSEMBLY - MLG8



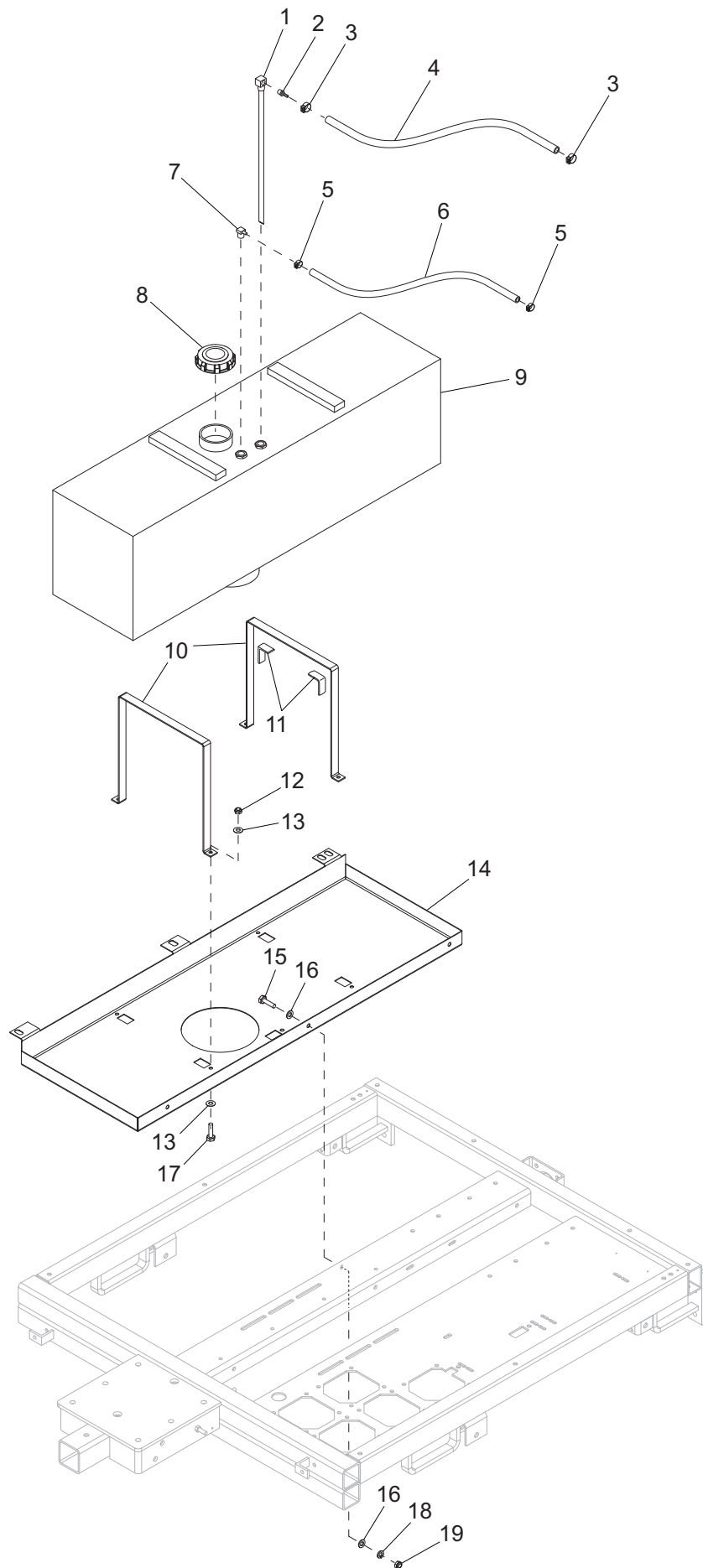
ITEM	PART	QTY	DESCRIPTION	NOTES
1	65388	1	Light, indicator red - w/wire 12VDC	
2	65849	2	Breaker, 20A/120V, 1-pole push button	
3	65865	1	Breaker, 40A/250V, 2-pole, screw term	
4	14130	2	Receptacle, 120V/20A GFI	
5	65851	1	Breaker, 30A/250V, 2-pole, screw term	
6	14137	1	Receptacle, 240V/30A twist (L6-30R)	
7	15195	1	Switch, key	
8	16694	1	Indicator, glow plug	
9	12250	1	Panel, control	
10	10081	1	Hinge, continuous - 11.00 in	
11	14202	1	Strain relief - .375 Romex w/nut	
12	14219	2	Strain relief - .75 Romex w/nut	
13	14204	1	Kit, ground bar	
14	14203	2	Block, terminal - 10 pos	
15	65850	1	Breaker, push button - 10A/240V	
16	14201	1	Relay, 15 sec fixed delay, 12VDC/10A	
17	14257B	1	Box, control	
18	15085	1	Gauge, hour meter	
19	60405	4	Screw, 6-32x.250 pan phil, G2	
--	60746	1	Plug, hole - 1.094 dia. recessed style	Not shown
--	60750	3	Plug, hole - .812 dia. recessed style	Not shown
--	24051	1	Harness, control box to gen	Not shown
--	65279	1	Assembly, wiring for control panel	Not shown
--	65278	1	Assembly, wiring for control box	Not shown
--	11793	1	Assembly, completed control box	

CONTROL BOX ASSEMBLY - MLG15, MLG20



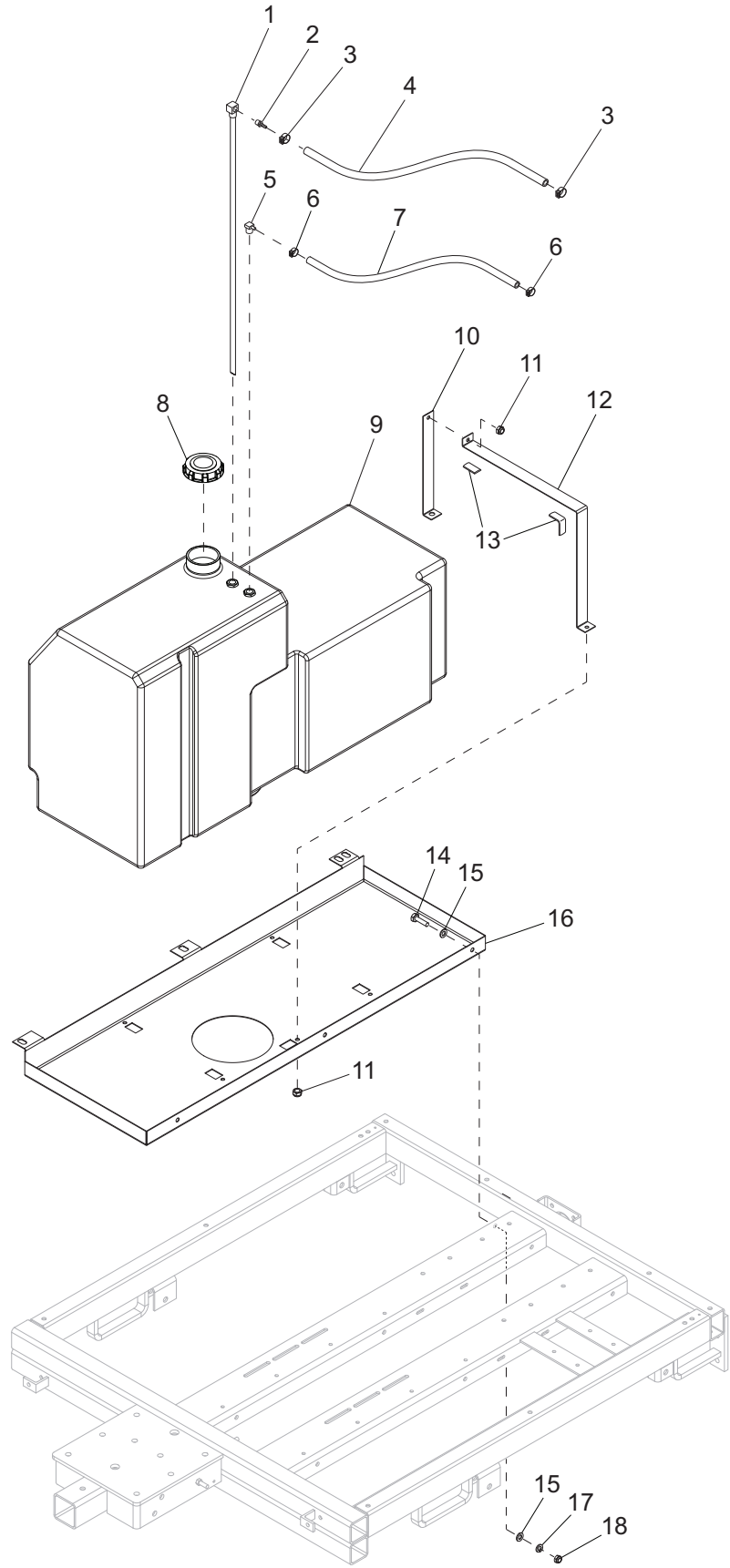
ITEM	PART	QTY	DESCRIPTION	NOTES
1	60405	4	Screw, 6-32x.250 pan phil, G2	
2	65429	1	Breaker, 100A/250V, 2-pole	MLG 20
	60736	1	Breaker, 70A/250V, 2-pole	MLG 15
3	65388	1	Light, indicator, red - w/wire 12VDC	
4	15195	1	Switch, key	
5	24008	1	Glow plug indicator - 4LE, Isuzu	MLG 20
	13264	1	Glow plug indicator - S4L2, Mitsubishi	MLG 15
6	10278	1	Panel, control - 20KW w/o light	MLG 20
	11889	1	Panel, control - 15KW w/o light	MLG 15
7	10081	1	Hinge, continuous 11 in	
8	14202	1	Strain relief, .375 Romex w/nut	
9	14219	2	Strain relief, .75 Romex w/nut	
10	14204	1	Kit, ground bar	
11	14203	2	Block, terminal - 10 pos	
12	65850	1	Breaker, push button - 10A	
13	14201	1	Relay, 15 sec. fixed time delay	10A/12VDC
14	14257B	1	Box, control	
15	15085	1	Gauge, hour meter	
--	60746	1	Plug, hole - 1.094 dia. recessed style	Not shown
--	60750	3	Plug, hole - .812 dia. recessed style	Not shown
--	24051	1	Harness, control box to gen	Not shown
--	66904	1	Assembly, wiring for control panel	Not shown
--	11746	1	Assembly, completed control box	MLG15
--	10290	1	Assembly, completed control box	MLG20

FUEL TANK ASSEMBLY - MLG8



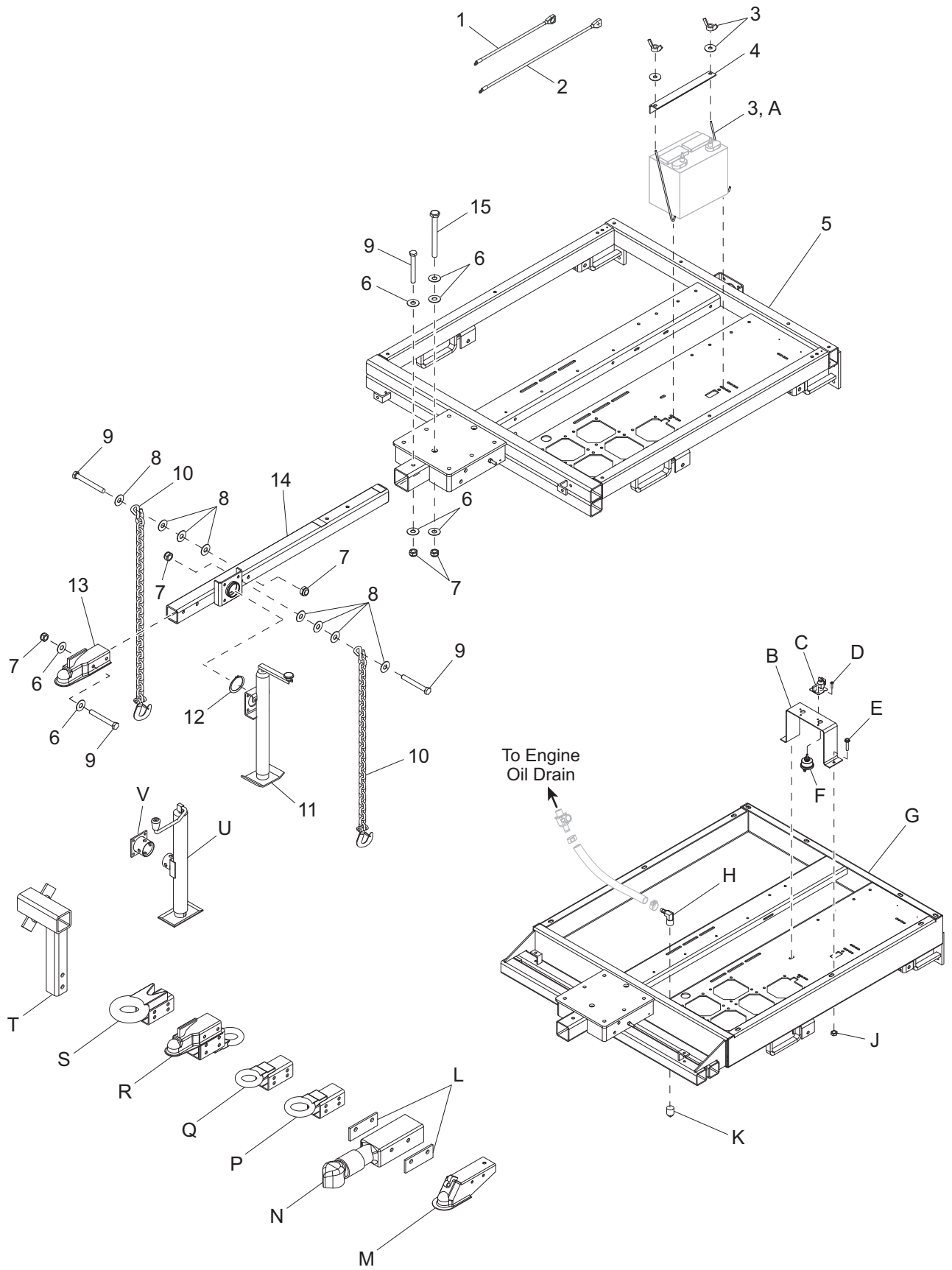
ITEM	PART	QTY	DESCRIPTION	NOTES
1	13500	1	Fuel pick-up tube, 14 in	
2	15142	1	Fitting, strt - .250NPTx.312 barb	
3	60777	2	Clamp, hose - .312 fuel hose	Crimp style
4	50018	2.5 ft	Hose, fuel - .312 ID, 50 psi, SAE 30R7	
5	60778	2	Clamp, hose - .188 fuel hose	Crimp style
6	14211	2.5 ft	Hose, fuel - .188 ID, 50 psi, SAE 30R7	
7	16271	1	Fitting, 90° - .250NPTx.188 barb	
8	12080	1	Cap, fuel tank, vented - 3.5 in. green	
9	12646	1	Tank, fuel - 30 gal. poly	
10	13616B	2	Strap, fuel tank - 30 gal. tank w/sump	
11	50197	1 ft	Weatherstripping - .06x1.0	
12	60303	4	Nut, .312-18 nylock, G2	
13	60243	8	Washer, .250 flat .735/.060	
14	12358B	1	Pan, fuel tank - flat frame	
15	60690	6	Screw, .375-16x1.0 std hex, SS	
16	60698	12	Washer, .375 flat .875/.040, SS	
17	60256	4	Screw, .312-18x1.50 std hex, G5	
18	60703	6	Washer, .375 split lock, SS	
19	60140	6	Nut, .375-16 hex, G5	
--	12162	1	Tank, fuel - 56 gal. poly	Option: fuel tank (not shown)
--	12359B	1	Fuel tank strap - large	Option: fuel tank (not shown)
--	12361B	1	Fuel tank strap	Option: fuel tank (not shown)
--	12259	1	Fuel pick-up tube, 24 in	Option: fuel tank (not shown)
--	12137	1	Cap, fuel tank - vented 3.5 in. w/lanyard	Option: fuel tank cap (not shown)

FUEL TANK ASSEMBLY - MLG15, MLG20



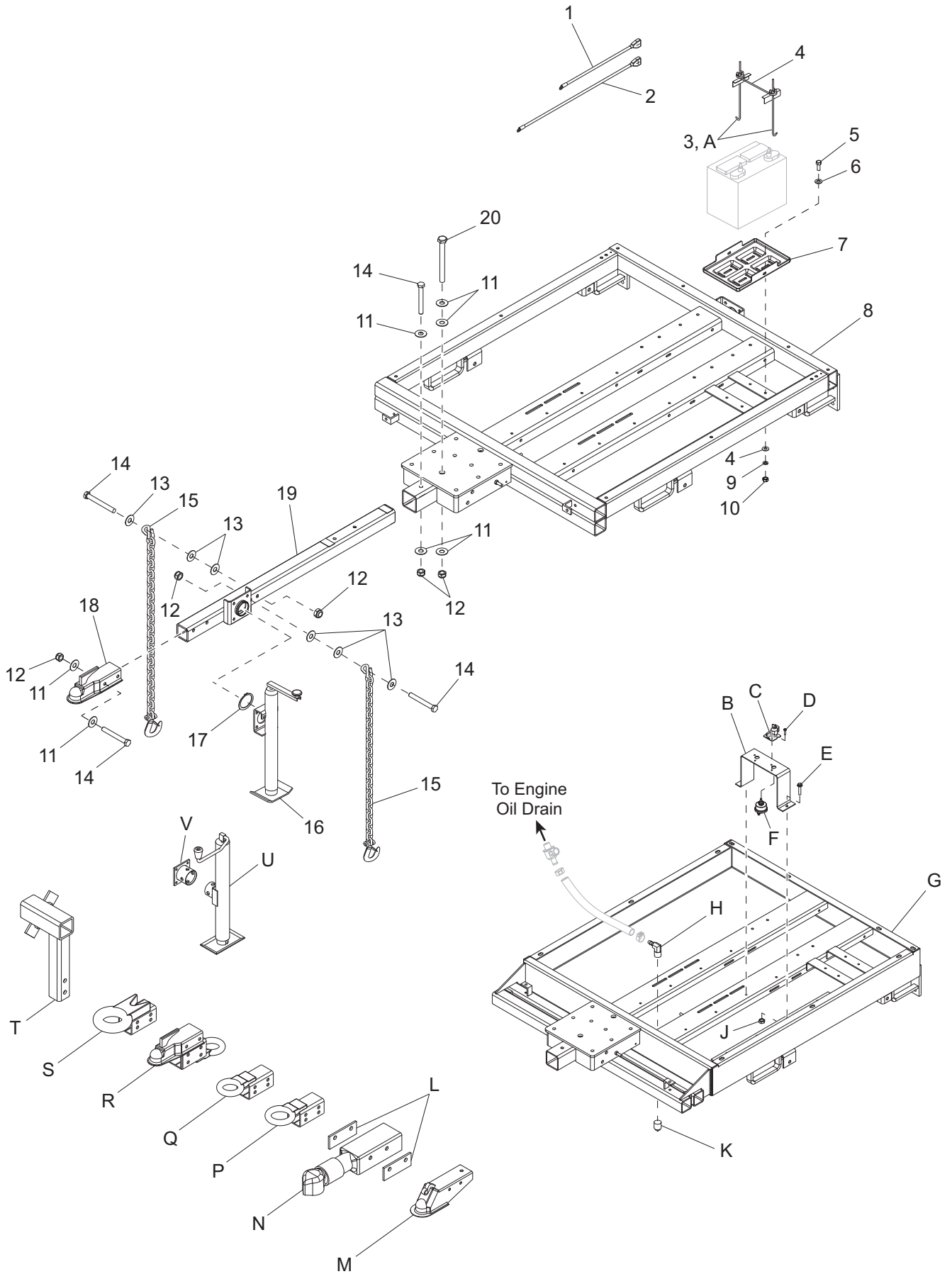
ITEM	PART	QTY	DESCRIPTION	NOTES
1	12259	1	Fuel pick-up tube, 24 in	
2	15142	1	Fitting, strt - .250NPTx.312 barb	
3	60777	2	Clamp, hose - .312 fuel hose	Crimp style
4	50018	3 ft	Hose, fuel - .312 ID, 50 psi, SAE 30R7	
5	16271	1	Fitting, 90° - .250NPTx.188 barb	
6	60778	2	Clamp, hose - .188 fuel hose	Crimp style
7	14211	2 ft	Hose, fuel - .188 ID, 50 psi, SAE 30R7	
8	12080	1	Cap, fuel tank, vented - 3.5 in. green	
9	12162	1	Tank, fuel - 56 gal. poly	
10	12361B	1	Fuel tank strap	
11	60358	2	Nut, .375-16 nylock, G5	
12	12359B	1	Fuel tank strap - large	
13	50197	1 ft	Weatherstripping - .06x1.0	
14	60690	6	Screw, .375-16x1.0 std hex, SS	
15	60698	12	Washer, .375 flat .875/.040, SS	
16	12358B	1	Pan, fuel tank - flat frame	
17	60703	6	Washer, .375 split lock, SS	
18	60140	6	Nut, .375-16 hex, G5	
--	12137	1	Cap, fuel tank - vented 3.5 in. w/lanyard	Option: fuel tank cap (not shown)

FRAME ASSEMBLY - MLG8



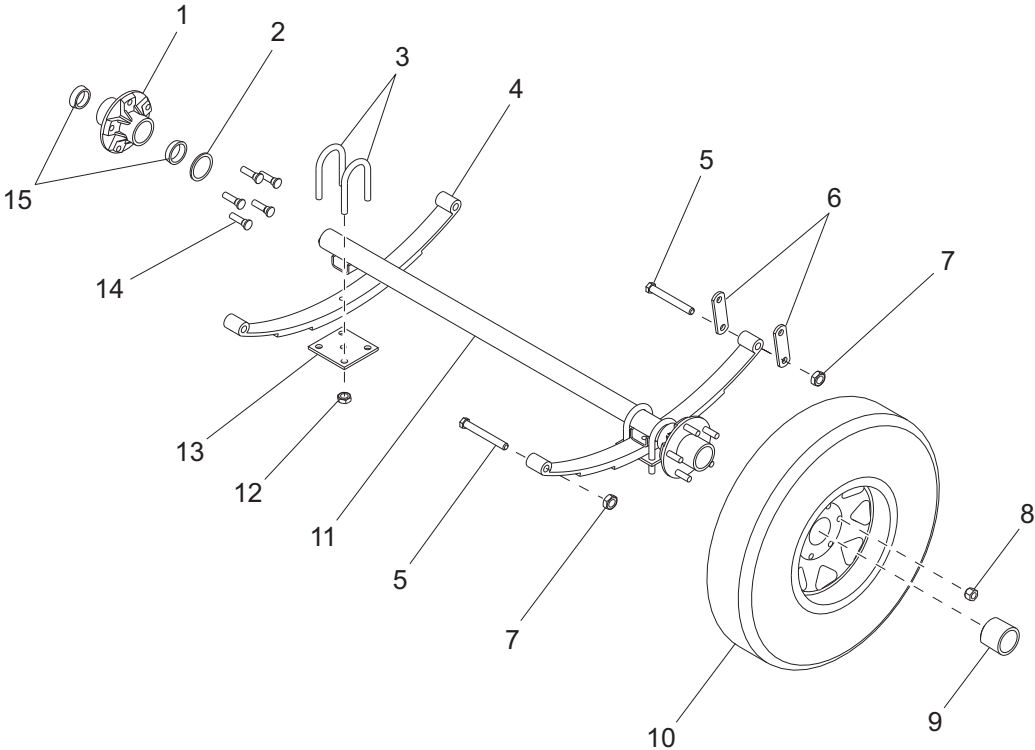
ITEM	PART	QTY	DESCRIPTION	NOTES
1	15073	1	Cable, battery - 24 in. 4GA, blk	7/16 in. lug
2	15074	1	Cable, battery - 38 in. 4GA, red	7/16 in. lug
--	10353	1	Boot, battery - top post 4 GA, red	Not shown
3	14146	2	Bolt, J - .250-20x10.0	
4	12924B	1	Angle, battery hold down	
5	13335B	1	Weldment, lt chassis	
6	60309	9	Washer, .500 flat 1.060/.090	
7	62221	8	Nut, .500-13 nylock, G5	
8	60416	8	Washer, .500 flat 1.375/.090	
9	50215	5	Screw, .500-13x4.0 std hex, G5	
10	23367	2	Chain, safety - 7800 lbs	
11	11682	1	Jack, top wind	
12	14326	1	Ring, retaining	
13	16830	1	Coupler, 2 in. ball/2.5 in. channel	
14	12420B	1	Weldment, removable tongue	
15	60659	1	Screw, .500-13x5.0 std hex, G5	
A	60984	2	Bolt, J - .250-20x7.0	Option
B	13654B	1	Bracket, battery disconnect	Option: battery disconnect
C	65499	1	Switch lockout lever kit	Option: battery disconnect
D	60406	2	Screw, 8-32x1.0 pan phil, G2	Option: battery disconnect
E	60028	2	Screw, .312-18x1.0 std hex, G5	Option: battery disconnect
F	65498	1	Switch, disconnect	Option: battery disconnect
--	12441	1	Cable, battery - 31.5 in. 4GA, blk	Option: batt. disc. (not shown)
--	12442	1	Cable, battery - 58.5 in. 2GA, blk	Option: batt. disc. (not shown)
--	15074	1	Cable, battery - 38 in. 4GA, red	Option: batt. disc. (not shown)
G	12666B	1	Weldment, chassis - 60 gal	Option: containment
H	61157	1	Fitting, 90° .750MNPTx .375 barb, brs	Option: oil drain
J	60515	2	Nut, .312-18 hex, SS	Option: battery disconnect
K	60498	1	Fitting, plug - .750NPT square drive	Option: oil drain
L	12155B	2	Spacer, coupler - black	Option: Bulldog hitch
M	12229	1	Coupler, 2.31 ball/3.0 channel	Option: adjustable hitch
N	13003B	1	Coupler, 2.0 ball/3.00 channel	Option: Bulldog hitch
P	16999B	1	Weldment, lunette ring - 2.50 ID/2.50	Option: non-adjustable hitch
Q	16835B	1	Weldment, lunette ring - 3.0 ID/2.50	Option: non-adjustable hitch
R	16741ZC	1	Weldment, combo hitch - 2.50 tongue	Option: adjustable hitch
S	11672B	1	Weldment, hitch - 3.0x1.625 ring	Option: non-adjustable hitch
T	12235B	1	Weldment, spare tire holder	Option: spare tire & carrier
U	13254	1	Jack, top wind - tube-mounted	Option
V	11965Z	1	Weldment, jack adapter	Option

FRAME ASSEMBLY - MLG15, MLG20



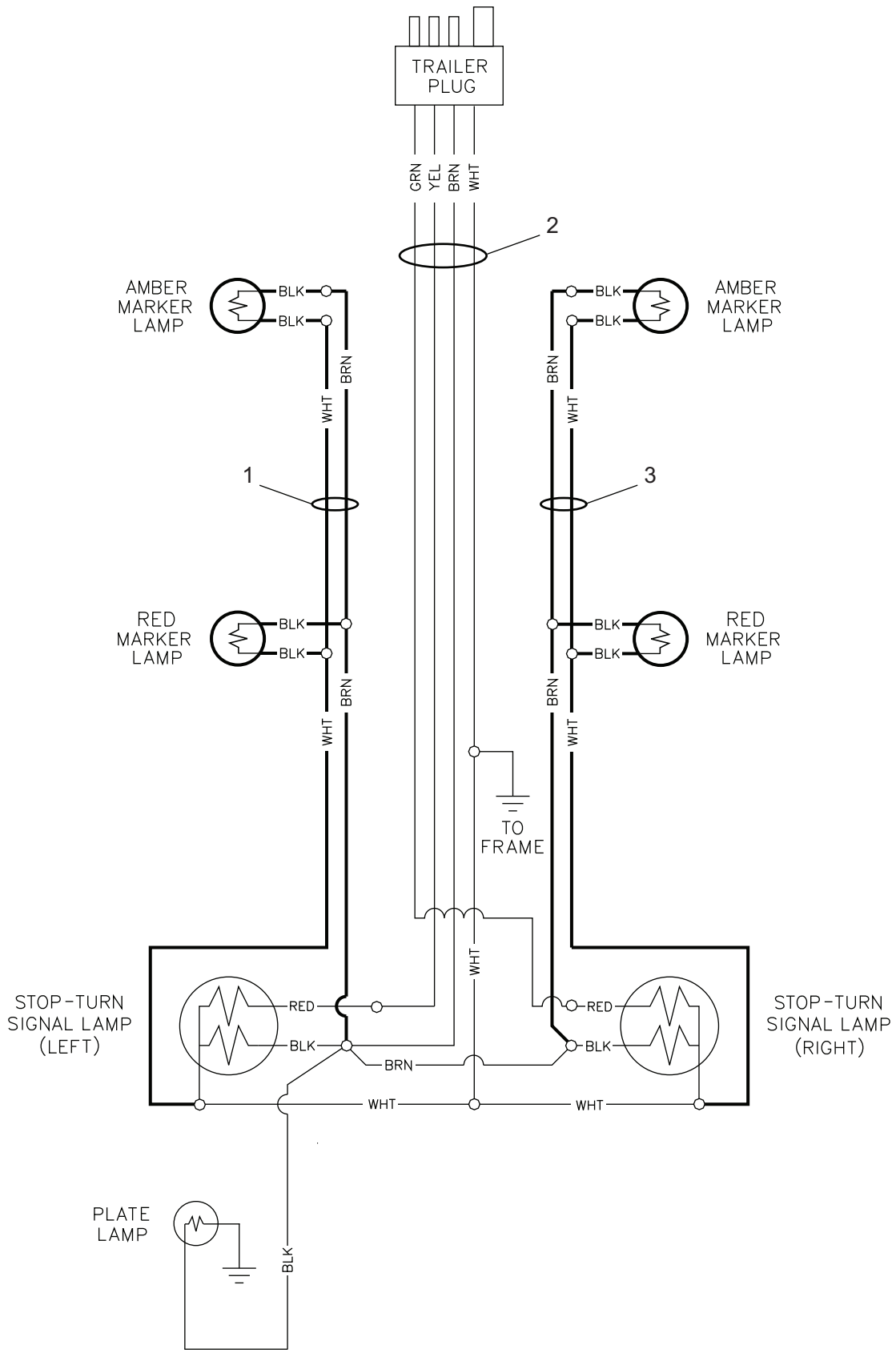
ITEM	PART	QTY	DESCRIPTION	NOTES
1	15073	1	Cable, battery - 24 in. 4GA, blk	7/16 in. lug
2	15074	1	Cable, battery - 38 in. 4GA, red	7/16 in. lug
--	10353	1	Boot, battery - top post 4 GA, red	Not shown
3	60820	1	Bolt, J - .250-20x9.0	
4	14682	1	Bracket, battery hold down	
5	60028	4	Screw, .312-18x1.0 std hex, G5	
6	60243	8	Washer, .250 flat .735/.060	
7	14145	1	Battery tray, plastic	
8	11563B	1	Weldment, lt chassis	
9	60271	4	Washer, .312 split lock	
10	60285	4	Nut, .312-18 hex, G2	
11	60309	9	Washer, .500 flat 1.060/.090	
12	62221	8	Nut, .500-13 nylock, G5	
13	60416	8	Washer, .500 flat 1.375/.090	
14	50215	5	Screw, .500-13x4.0 std hex, G5	
15	23367	2	Chain, safety - 7800 lbs	
16	11682	1	Jack, top wind	
17	14326	1	Ring, retaining	
18	16830	1	Coupler, 2 in. ball/2.5 in. channel	
19	12420B	1	Weldment, removable tongue	
20	60659	1	Screw, .500-13x5.0 std hex, G5	
--	14129	1	Assembly, trailer light harness	Not shown
A	60984	2	Bolt, J - .250-20x7.0	Option
B	13654B	1	Bracket, battery disconnect	Option: battery disconnect
C	65499	1	Switch lockout lever kit	Option: battery disconnect
D	60406	2	Screw, 8-32x1.0 pan phil, G2	Option: battery disconnect
E	60028	2	Screw, .312-18x1.0 std hex, G5	Option: battery disconnect
F	65498	1	Switch, disconnect	Option: battery disconnect
--	10698	1	Cable, battery - 21.0 in. 4GA, blk	Option: batt. disc. (MLG15)
--	10699	1	Cable, battery - 24 in. 4GA, blk	Option: batt. disc. (MLG15)
--	15074	1	Cable, battery - 38 in. 4GA, red	Option: batt. disc. (MLG15)
--	12441	1	Cable, battery - 31.5 in. 4GA, blk	Option: batt. disc. (MLG20)
--	12442	1	Cable, battery - 58.5 in. 2GA, blk	Option: batt. disc. (MLG20)
--	15074	1	Cable, battery - 38 in. 4GA, red	Option: batt. disc. (MLG20)
G	12666B	1	Weldment, chassis - 60 gal	Option: containment
H	61157	1	Fitting, 90° .750MNPTx.375 barb, brs	Option: oil drain
J	60515	2	Nut, .312-18 hex, SS	Option: battery disconnect
K	60498	1	Fitting, plug - .750NPT square drive	Option: oil drain
L	12155B	1	Spacer, coupler - black	Option: adjustable hitch
M	12229	1	Coupler, 2.31 ball/3.00	Option: adjustable hitch
N	13003B	1	Coupler, 2.00 ball/3.00	Option: adjustable hitch
P	16999B	1	Weldment, lunette ring - 2.50 ID	Option: non-adjustable hitch
Q	16835B	1	Weldment, lunette ring - 3.00 ID	Option: non-adjustable hitch
R	16741ZC	1	Weldment, combo hitch - 2.50 tongue	Option: adjustable hitch
S	11672B	1	Weldment, hitch - 3.0x1.625 ring	Option: non-adjustable hitch
T	12235B	1	Weldment, spare tire holder - black	Option: spare tire & carrier
U	23254	1	Jack, top wind - tube-mounted	Option
V	11965Z	1	Weldment, jack adapter	Option

AXLE ASSEMBLY



ITEM	PART	QTY	DESCRIPTION	NOTES
1	11206	2	Hub, axle (w/wheel studs & bearings)	
2	11199	2	Seal, axle bearing	
3	11277	4	U-bolt, axle	
4	11280	2	Leaf spring, 3500 lb	
5	60503	6	Screw, .562-18 hex shackle	
6	19637	4	Plate, shackle bracket	
7	60504	6	Nut, .562-18 hex shackle lock	
8	60096	10	Nut, .500-20 lug, G5	
9	12460	2	Axle wheel bearing cap	
10	15540	2	Wheel, 15 in., tire and rim (MLG20 & 15)	
	15976	2	Wheel, 13 in., tire and rim (MLG8 only)	Not shown
11	11385	1	Axle, 2200 lb. 58TC 45SC (MLG20 & 15)	
	16593	1	Axle, 2200 lb. 56TC 45SC (MLG8 only)	Not shown
12	11279	8	Axle nut (U-bolt), 3500 lb	
13	11278	2	Tie-plate, 3500 lb	
14	60674	10	Stud, wheel - .500-20	
15	11511	4	Axle roller bearing	

TRAILER LIGHTS WIRING DIAGRAM



ITEM	PART	QTY	DESCRIPTION	NOTES
1	10264	1	Harness, left side trailer	
2	10499	1	Assembly, trailer light harness	
3	10265	1	Harness, right side trailer	
--	65441	-	Adapter, pig-tail trailer light 4 pin to 12 pin	Option: (not shown)
--	65465	-	Adapter, trailer wiring flat 4 to 7 spade	Option: (not shown)
--	65464	-	Adapter, trailer wiring flat 4 to rnd 7 pin	Option: (not shown)
--	65463	-	Adapter, trailer wiring flat 4 to rnd 6 pin	Option: (not shown)
--	65548	-	Adapter, 4 pin flat to 4 pin flat x 12.00	Option: (not shown)
--	23390	1	Assembly, trailer extension harness	Option: MLG8 only (not shown)

RECOMMENDED SPARE PARTS LIST

ENGINE

Fuel cap..... 12080

GENERATOR

Capacitor, 25uf Marathon 6kw 12159

Capacitor, 45uf Marathon 8kw 15695

ELECTRICAL

Breaker, 20A/120V 1-pole, push button..... 65849

Breaker, 30A/250V 2-pole stud, 6kw 65963

Breaker, 30A/250V 2-pole screw, 6kw 65851

Breaker, 40A/250V 2-pole screw, 8kw 65864

Breaker, 40A/250V 2-pole screw, 8kw 65865

Breaker, 50A/250V 2-pole aux contact 65492

Breaker, 70A/250V 2-pole (MLG15) 60736

Breaker, 100A/250V 2-pole (MLG20) 65429

Cover, receptacle - 20/30A 240V twist-lock 65460

Cover, receptacle - 50A 3 wire, weatherproof..... 65520

Cover, receptacle - 50A twist-lock 65467

Cover, receptacle - weatherproof..... 65849

Key, control panel 15309

Receptacle, 20A/120V GFCI 14130

Receptacle, 20A/120V 1-pole, push button 65849

Receptacle, 30A/240V twist-lock 65488

Receptacle, 30A/120V (TT-30R) (RV) 65489

Receptacle, 50A 125/250V twist-lock 18089

Receptacle, 50A/240V (14-50R) (RV) 65815

Regulator, voltage - SE350..... 18556

Relay, 15 sec. fixed delay (10A/12VDC)..... 14201

Relay, ignition solenoid (65A/12V)..... 18081

Switch, trigger safety - NO/NC 12632

TRAILER

Chain, safety..... 23367

Jack, side wind (2000 lb) 11681

Jack, top wind (2000 lb)..... 11682

Jack, top wind tube-mounted (3000 lb) 13051

Jack, side wind tube-mounted (3000 lb)..... 13050

Light assembly, rear tail/turn 10219

Light, clearance marker - red 65406

Light, clearance marker - amber..... 65407

Light, tail/turn signal..... 10220

Retaining ring, jack 14326

REV: ORG
PART NO: 32694
09.17.13