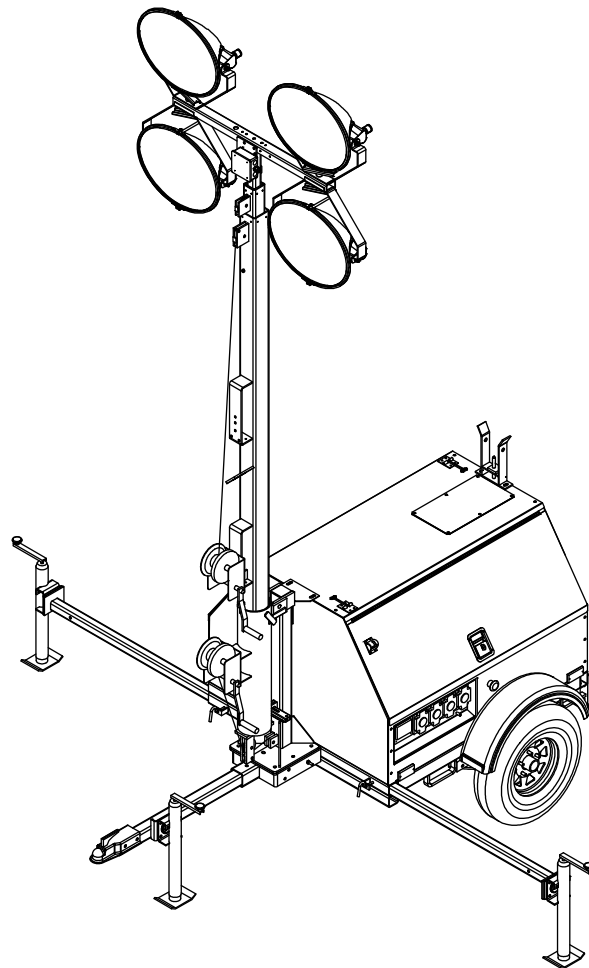


Owner's Manual

Light Tower

MLT4150 • MLT4200



004645

For technical assistance contact:

www.generacmobileproducts.com

Technical Support

1-800-926-9768

SAVE THIS MANUAL FOR FUTURE REFERENCE

Use this page to record important information about your Light Tower

Unit Model No.	
Unit Serial No.	
Engine Model No.	
Engine Serial No.	
Generator Model No	
Generator Serial No.	
Date Purchased	

Record the information found on your unit data label on this page. See ***Unit and Serial Number Locations***.

Engine and generator serial numbers are located on separate data plates affixed to the engine and generator respectively.

When contacting a Generac Mobile Products Authorized Service Dealer (ASD) about parts and service, always supply the complete model number and serial number of the unit.

Operation and Maintenance: Proper maintenance and care of the generator ensures a minimum number of problems and keeps operating expenses at a minimum. It is the operator's responsibility to perform all safety checks, to verify that all maintenance for safe operation is performed promptly, and to have the equipment checked periodically by an ASD. Normal maintenance, service and replacement of parts are the responsibility of the owner/operator and, as such, are not considered defects in materials or workmanship within the terms of the warranty. Individual operating habits and usage may contribute to the need for additional maintenance or service.

WARNING

CANCER AND REPRODUCTIVE HARM

www.P65Warnings.ca.gov

(000393a)

WARNING

Breathing diesel engine exhaust exposes you to chemicals known to the State of California to cause cancer and birth defects or other reproductive harm.

- Always start and operate the engine in a well-ventilated area.
- If in an enclosed area, vent the exhaust to the outside.
- Do not modify or tamper with the exhaust system.
- Do not idle the engine except as necessary.

For more information go to

www.P65Warnings.ca.gov/diesel

(000394)

Table of Contents

Section 1: Introduction and Safety

Introduction	1
Read This Manual Thoroughly	1
How to Obtain Service	1
Safety Rules	1
General Hazards	2
Explosion and Fire Hazards	2
Trailer Hazards	2
Electrical Hazards	3
Battery Hazards	3
Fuel Hazards	4
Engine Safety	4
Operating Safety	4
Positioning the Unit	4
Starting the Unit	4
Raising and Lowering the Mast	5
Service Safety	5
Towing Safety	6
Hitch and Coupling	6
Running Lights	6
Wheels and Tires	6
Safe Towing Techniques	6
Reporting Trailer Safety Defects	6

Section 2: General Information

Specifications	7
Unit Dimensions	8
Unit Serial Number Locations	9
Component Locations	10
Main Control Panel	11

Section 3: Operation

Light Tower Setup	13
Prestart Checklist	14
Raising the Mast	14
Emergency Stop Switch	15
Starting the Unit	15
Automatic Shutdown	16

Light Operation	16
Auxiliary Outlets	17
Wet Stacking	17
Voltage Regulator	17
Engine Derating	18
Shutting Down the Unit	18
Lowering the Mast	18
Removing the Lights for Transportation	18
Towing the Unit	19
Lifting the Unit	19

Section 4: Maintenance

Emissions Information	21
Daily Walk-Around Inspection	21
General Maintenance	21
Preparing for Service	21
Cleaning the Unit	21
Inspecting the Unit	21
Basic Maintenance Schedule	22
Winch Use, Operation and Maintenance	24
Prior to Use	24
Operation	24
Maintenance	24
Optional Lower Radiator Hose Heater Use and Maintenance	25
Trailer Wheel Bearings	25
Jack Maintenance	25

Section 5: Troubleshooting

General Troubleshooting	27
Troubleshooting the Lights	28

Section 6:Wiring Diagrams

Mast Junction Box Wiring and Light Connections29

AC Wiring Diagram30

AC Wiring Diagram—Receptacle Panel31

**AC Wiring Diagram—Receptacle Panel Options
(1 of 2)32**

**AC Wiring Diagram—Receptacle Panel Options
(2 of 2)33**

DC Wiring Diagram34

DC Wiring Diagram—Optional Equipment35

Trailer Lights Wiring36

Section 7:Service Log

Section 1: Introduction and Safety

Introduction

Thank you for purchasing a Generac Mobile Products LLC product. This unit has been designed to provide high performance, efficient operation, and years of use when maintained properly.

The information in this manual is accurate based on products produced at the time of publication. The manufacturer reserves the right to make technical updates, corrections, and product revisions at any time without notice.

Read This Manual Thoroughly



Consult Manual. Read and understand manual completely before using product. Failure to completely understand manual and product could result in death or serious injury. (000100a)

If any section of the manual is not understood, contact your nearest Generac Mobile Products Authorized Service Dealer, or contact Generac Mobile Products LLC at 1-800-926-9768, or Generac Mobile Products Technical Service at 1-800-926-9768 or www.generacmobileproducts.com with any questions or concerns.

The owner is responsible for proper maintenance and safe use of the equipment. Comply with regulations the Occupational Safety and Health Administration (OSHA) has established, or with equivalent standards. Also, verify that the unit is applied, used, and maintained in accordance with the manufacturer's instructions and recommendations. Do nothing that might alter safe application/usage and render the unit in noncompliance with the aforementioned codes, standards, laws, and regulations.

Save these instructions for future reference. This manual contains important instructions for the unit that should be followed during setup, operation and maintenance of the unit and battery. ALWAYS supply this manual to any individual that will use this machine.

How to Obtain Service

When the unit requires servicing or repairs, contact a Generac Mobile Products Authorized Service Dealer (GMP ASD) for assistance. Service technicians are factory-trained and are capable of handling all service needs. For assistance locating a dealer, visit www.generacmobileproducts.com/parts-service/find-service. When contacting a GMP ASD about parts and service, always supply the complete model number and serial number of the unit as given on its data decal located on the unit. Record the model number and serial numbers in the spaces provided on the inside front cover of this manual.

Safety Rules

The manufacturer cannot anticipate every possible circumstance that might involve a hazard. The warnings in this manual, and on tags and decals affixed to the unit are, therefore, not all inclusive. If using a procedure, work method or operating technique that the manufacturer does not specifically recommend, verify that it is safe for others. Also make sure the procedure, work method or operating technique utilized does not render the equipment unsafe.

Throughout this publication, and on tags and decals affixed to the unit, DANGER, WARNING, CAUTION and NOTE blocks are used to alert personnel to special instructions about a particular operation that may be hazardous if performed incorrectly or carelessly. Observe them carefully. Their definitions are as follows:



Indicates a hazardous situation which, if not avoided, will result in death or serious injury.

(000001)



Indicates a hazardous situation which, if not avoided, could result in death or serious injury.

(000002)



Indicates a hazardous situation which, if not avoided, could result in minor or moderate injury.

(000003)

NOTE: Notes contain additional information important to a procedure and will be found within the regular text of this manual.

These safety alerts cannot eliminate the hazards that they indicate. Common sense and strict compliance with the special instructions while performing the action or service are essential to preventing accidents.

General Hazards



⚠ DANGER

Asphyxiation. Running engines produce carbon monoxide, a colorless, odorless, poisonous gas. Carbon monoxide, if not avoided, will result in death or serious injury. (000103)



⚠ WARNING

Hearing Loss. Hearing protection is recommended when using this machine. Failure to wear hearing protection could result in permanent hearing loss. (000107)



⚠ WARNING

Moving Parts. Keep clothing, hair, and appendages away from moving parts. Failure to do so could result in death or serious injury. (000111)



⚠ WARNING

Hot Surfaces. When operating machine, do not touch hot surfaces. Keep machine away from combustibles during use. Hot surfaces could result in severe burns or fire. (000108)

⚠ WARNING

Risk of injury. Do not operate or service this machine if not fully alert. Fatigue can impair the ability to service this equipment and could result in death or serious injury. (000215)



⚠ WARNING

Risk of burns. Allow engine to cool before draining oil or coolant. Failure to do so could result in death or serious injury. (000139)

Explosion and Fire Hazards



⚠ DANGER

Explosion and Fire. Fuel and vapors are extremely flammable and explosive. Add fuel in a well ventilated area. Keep fire and spark away. Failure to do so will result in death or serious injury. (000105)



⚠ WARNING

Risk of Fire. Unit must be positioned in a manner that prevents combustible material accumulation underneath. Failure to do so could result in death or serious injury. (000147)



⚠ WARNING

Risk of Fire. Hot surfaces could ignite combustibles, resulting in fire. Fire could result in death or serious injury. (000110)

Trailer Hazards

⚠ WARNING

Personal injury. Trailer must be securely coupled to the hitch with the chains correctly attached. Uncoupled or unchained towing could result in death or serious injury. (000233a)

⚠ WARNING

Personal injury. Do not operate unit during transport. Doing so could result in death, serious injury, or property damage. (000231a)

⚠ WARNING

Crushing hazard. Verify unit is properly secured and on level ground. An unsecured unit can suddenly roll or move, causing death or serious injury. (000234a)

⚠ WARNING

Property or Equipment Damage. Tighten wheel lug nuts after first 50 miles to factory specifications. Failure to do so could result in death, serious injury, property or equipment damage. (000235)

Electrical Hazards



⚠ DANGER

Electrocution. In the event of electrical accident, immediately shut power OFF. Use non-conductive implements to free victim from live conductor. Apply first aid and get medical help. Failure to do so will result in death or serious injury. (000145)



⚠ DANGER

Electrocution. Water contact with a power source, if not avoided, will result in death or serious injury.

(000104)



⚠ DANGER

Electrocution. Contact with bare wires, terminals, and connections while generator is running will result in death or serious injury.

(000144)



⚠ DANGER

Electrocution. Verify electrical system is properly grounded before applying power. Failure to do so will result in death or serious injury.

(000152)



⚠ DANGER

Electrocution. Do not wear jewelry while working on this equipment. Doing so will result in death or serious injury.

(000188)



⚠ DANGER

Electrocution. DO NOT use the unit if electrical cord is cut or worn through. Doing so will result in death or serious injury.

(000263a)

Battery Hazards



⚠ DANGER

Electrocution. Do not wear jewelry while working on this equipment. Doing so will result in death or serious injury.

(000188)



⚠ WARNING

Explosion. Batteries emit explosive gases while charging. Keep fire and spark away. Wear protective gear when working with batteries. Failure to do so could result in death or serious injury.

(000137a)



⚠ WARNING

Explosion. Do not dispose of batteries in a fire. Batteries are explosive. Electrolyte solution can cause burns and blindness. If electrolyte contacts skin or eyes, flush with water and seek immediate medical attention.

(000162)



⚠ WARNING

Risk of burn. Do not open or mutilate batteries. Batteries contain electrolyte solution which can cause burns and blindness. If electrolyte contacts skin or eyes, flush with water and seek immediate medical attention.

(000163a)

⚠ WARNING

Environmental Hazard. Always recycle batteries at an official recycling center in accordance with all local laws and regulations. Failure to do so could result in environmental damage, death or serious injury.

(000228)

Fuel Hazards



⚠ DANGER

Explosion and fire. Fuel and vapors are extremely flammable and explosive. No leakage of fuel is permitted. Keep fire and spark away. Failure to do so will result in death or serious injury. (000192)



⚠ DANGER

Risk of fire. Allow fuel spills to completely dry before starting engine. Failure to do so will result in death or serious injury. (000174)

- **DO NOT** fill fuel tank near an open flame, while smoking, or while engine is running. **DO NOT** fill tank in an enclosed area with poor ventilation.
- **DO NOT** operate with the fuel tank cap loose or missing.

Engine Safety

Internal combustion engines present special hazards during operation and fueling. Failure to follow the safety guidelines described below could result in severe injury or death. Read and follow all safety alerts described in the engine operator's manual. A copy of this manual was supplied with the unit when it was shipped from the factory.

- **DO NOT** run engine indoors or in an area with poor ventilation. Make sure engine exhaust cannot seep into closed rooms or ventilation equipment.
- **DO NOT** clean air filter with gasoline or other types of low flash point solvents.
- **DO NOT** operate the unit without a functional exhaust system.
- Shut the engine down if any of the following conditions exist during operation:
 - Noticeable change in engine speed.
 - Loss of electrical output.
 - Equipment connected to the unit overheats.
 - Sparking occurs.
 - Engine misfires or there is excessive engine/generator vibration.
 - Protective covers are loose or missing.
 - Ambient air temperature is above 120°F (49°C).

Operating Safety

Positioning the Unit



⚠ DANGER

High Voltage. Verify area above unit is clear of overhead wires and obstructions. Contact with high-voltage power lines will result in death or serious injury. (000260a)



⚠ WARNING

Burn hazard. Never operate lights with a damaged or missing lens cover. Lamps are hot and pressurized while in use. Unprotected lamps can shatter, causing severe injury. (000277)

- The area immediately surrounding the unit should be dry, clean, and free of debris.
- Position and operate the unit on a firm, level surface.
- If the unit is equipped with a frame grounding stud, follow the National Electrical Code (NEC), state, and local regulations when connecting.

Starting the Unit



⚠ DANGER

Electrocution. **DO NOT** use the unit if electrical cord is cut or worn through. Doing so will result in death or serious injury. (000263a)

⚠ WARNING

Equipment damage. Do not attempt to start or operate a unit in need of repair or scheduled maintenance. Doing so could result in serious injury, death, or equipment failure or damage. (000291)

Raising and Lowering the Mast



⚠️ WARNING

Electrocution. Do not set up or operate this unit if severe weather is expected. Lightning strikes can kill or cause severe injury even if you are not touching the unit. (000296)



> 60 mph

⚠️ WARNING

Do not set up the unit if high winds are expected. High winds can cause the unit to tip or fall, causing severe injury or machine damage. (000297)

⚠️ WARNING

Personal injury or equipment damage. Do not raise or lower the mast while the unit is operating. Doing so can break the lenses and cause the lamps to shatter. (000279)

⚠️ WARNING

Personal Injury. Stop immediately if the mast hangs up or the winch cable develops slack. Excess slack could cause the mast to collapse, resulting in personal injury or equipment damage. (000265)

⚠️ WARNING

Tipping hazard. Extend the outriggers and level the unit before raising the mast. Keep the outriggers extended while the mast is up. Failure to do so could cause the unit to tip and fall and could result in death or serious injury. (000266)



⚠️ WARNING

Burn hazard. Lamps become extremely hot while in use. Allow 10–15 minutes for cooling before handling or lowering mast. Touching a hot lens or fixture can cause severe burns. (000278)

- Keep area around the unit clear of people while raising and lowering the mast.
- **ALWAYS** lower the mast when not in use.
- The tower extends up to 30 ft (9.14 m). Make sure area above trailer is open and clear of overhead wires and obstructions.
- If for any reason any part of mast hangs up or winch cable develops slack while raising or lowering tower, STOP immediately! Contact a Generac Mobile Products Authorized Service Dealer.
- **NEVER** remove safety pin or pull mast locking pin while tower is up.

Service Safety

This unit uses high voltage circuits capable of causing serious injury or death. Only a qualified and licensed electrician should troubleshoot or repair problems occurring in this equipment.

- Before servicing the unit, verify the Control Power switch and circuit breakers are in the OFF (O) position, and the negative (-) terminal on the battery is disconnected. **DO NOT** perform even routine service (oil/filter changes, cleaning, etc.) unless all electrical components are shut down.
- **ALWAYS** use extreme caution when servicing this unit in damp conditions. Do not service the unit if your skin or clothing is wet. Do not allow water to collect around the base of the unit.
- **DO NOT** wash the unit with high pressure hoses, power washers, or steam cleaners. Water may collect in the unit, causing damage to electrical parts.
- Replace all missing and hard to read decals. Decals provide important operating instructions and warn of dangers and hazards.
- Wear heavy leather gloves when handling winch cables. Never let cables slip through bare hands.
- Only use mild soap and water to clean the lens covers. Other chemicals may damage the lens covers.
- Make sure slings, chains, hooks, ramps, jacks and other types of lifting devices are attached securely and have enough weight-bearing capacity to lift or hold the equipment safely. Always remain aware of the position of other people around you when lifting the equipment.

Towing Safety

Towing a trailer requires care. Both the trailer and vehicle must be in good condition and securely fastened to each other to reduce the possibility of an accident. Some states require that large trailers be registered and licensed. Contact your local Department of Transportation office to check on license requirements for your particular unit.

Hitch and Coupling

- Verify the hitch and coupling on the towing vehicle are rated equal to, or greater than, the trailer's Gross Vehicle Weight Rating (GVWR).
- Verify the trailer hitch and the coupling are compatible. Make sure the coupling is securely fastened to the vehicle.
- **DO NOT** tow trailer using defective parts. Inspect the hitch and coupling for wear or damage.
- Connect safety chains in a crossing pattern under the tongue.
- Before towing the trailer, verify that the weight of the trailer is equal across all tires. On trailers with adjustable height hitches, adjust the angle of the trailer tongue to keep the trailer as level as possible.
- Attach the breakaway cable to the rear bumper of the towing vehicle.

Running Lights

Verify directional and brake lights on the trailer are connected and working properly

Wheels and Tires

- Check trailer tires for wear and proper inflation.
- Verify wheel lug nuts are present and tightened to the specified torque.

Safe Towing Techniques

- Practice turning, stopping and backing up in an area away from heavy traffic prior to transporting the unit.
- Maximum recommended speed for highway towing is 45 mph (72 km/h). Recommended off-road towing speed is 10 mph (16 km/h) or less, depending on terrain.
- When towing, maintain extra space between vehicles and avoid soft shoulders, curbs and sudden lane changes.

Reporting Trailer Safety Defects

If you believe your trailer has a defect which could cause a crash or could cause injury or death, you should immediately inform the National Highway Traffic Safety Administration (NHTSA) in addition to notifying Generac Mobile Products LLC.

If NHTSA receives similar complaints, it may open an investigation; and if it finds that a safety defect exists in a group of vehicles, it may order a recall and remedy campaign. However, NHTSA cannot become involved in an individual problem between you, your dealer, or Generac Mobile Products LLC.

To contact NHTSA, you may either call the Auto Safety Hotline toll-free at 1-888-327-4236 (TTY:1-800-424-9153), go to <http://www.safercar.gov>; or write to:

Administrator
NHTSA
1200 New Jersey Avenue S.E.
Washington, DC 20590

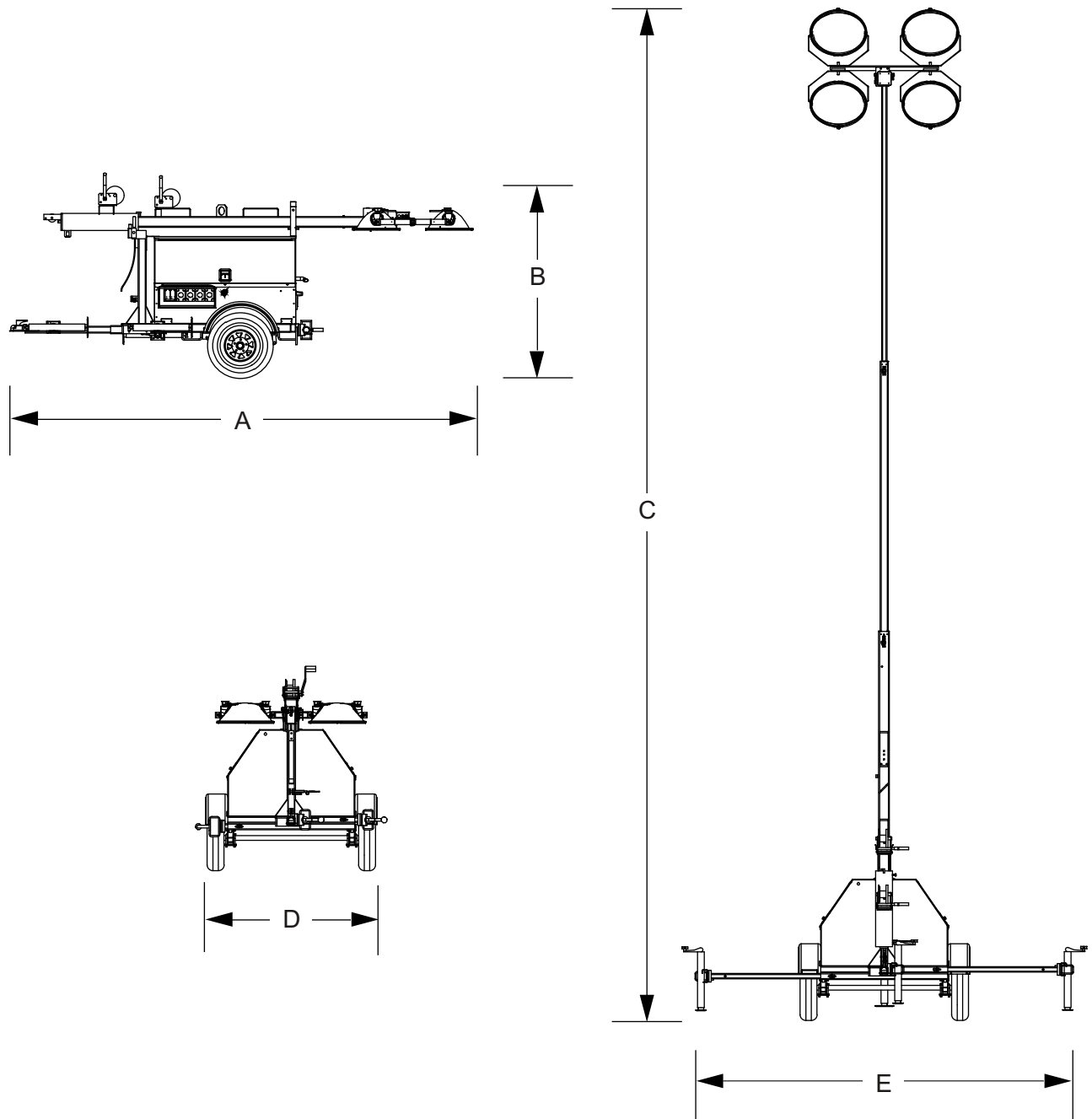
You can also obtain other information about motor vehicle safety from <http://www.safercar.gov>.

Section 2: General Information

Specifications

DESCRIPTION	UNITS	MLT4150	MLT4200
Engine			
Make/Brand	—	Mitsubishi	Isuzu
Model	—	S4L2-W461ML	4LE1NYGV-03 or 4LE1NYGV-03
EPA Tier	—	4F	4F
Horsepower - prime	hp (kW)	23.5 (17.5)	31.5 (23.5)
Horsepower - standby	hp (kW)	24.7 (18.4)	34.5 (25.7)
Operating Speed	rpm	1800	1800
Displacement	in ³ (L)	107.40 (1.76)	134.25 (2.20)
Cylinders	qty	4	4
Fuel Consumption—Full Power	gph (Lph)	1.36 (5.14)	1.8 (6.81)
Battery Type—Group Number	—	24	24
Battery Voltage	quantity per unit	12V (1)	12V (1)
Battery Rating	CCA-hour	440	720
Generator			
Make/Brand	—	Marathon Electric	Marathon Electric
Model	—	333CSA3024	334CSA3028
Type, Insulation	—	Brushless, F	Brushless, F
Output	kW (kVA)	15.0 (15.0)	20.0 (20.0)
Output Voltage	volts	120/240, single phase	120/240, single phase
Output Amperes 120V (240V)	amperes	125 (63)	167 (83)
Frequency Hz	Hertz	60	60
Power Factor	—	1 (1Ø)	1 (1Ø)
Sound (23ft at prime)	dB (A)	70	70
Weights			
Dry Weight	lbs (kg)	2015 (914)	2122 (963)
Operating Weight	lbs (kg)	2413 (1095)	2520 (1143)
Capacities			
Fuel Tank Volume	gal (L)	56 (212)	53.5 (202.5)
Usable Fuel Volume	gal (L)	56 (212)	51.4 (194.6)
Coolant (including engine)	qt (L)	11.6 (11.0)	11.6 (11.0)
Oil (including filter)	qt (L)	5.7 (5.4)	8.6 (8.1)
AC Distribution			
Circuit Breaker Size	amperes	70	100
Voltage Regulation	—	+/-1%	+/-1%
Voltages Available 1Ø	—	120, 240	120, 240
Lighting			
Lighting Type	—	Metal Halide	Metal Halide
Ballast Type	—	Coil & Core	Coil & Core
Lumens	—	440,000-462,000	440,000-462,000
Coverage	acres (m ²)	5 - 7 (20,234 - 28,328)	5 - 7 (20,234 - 28,328)
Trailer			
Number of Axles	—	1	1
Capacity - Axle Rating	lbs (kg)	3000 (1361)	3000 (1361)
Tire Size	in	15	15
Hitch—Standard	—	2" Ball	2" Ball
Maximum Tire Pressure	psi	50	50
<i>Specifications are subject to change without notice.</i>			

Unit Dimensions



004647

Figure 2-1. Unit Dimensions

	A	B	C	D	E
MLT4150, MLT4200	170 in (4.32 m)	70 in (1.78 m)	30 ft (9.14 m)	68 in (1.73 m)	140 in (3.56 m)

Specifications are subject to change without notice.

Unit Serial Number Locations

Refer to the illustration to locate the unit ID tag and Vehicle Identification Number (VIN) tag on the unit. Important information, such as the unit serial number, model number, VIN and tire loading information are found on these tags. Record the information from these tags so it is available if the tags are lost or damaged. When ordering parts or requesting assistance, you may be asked to provide this information.

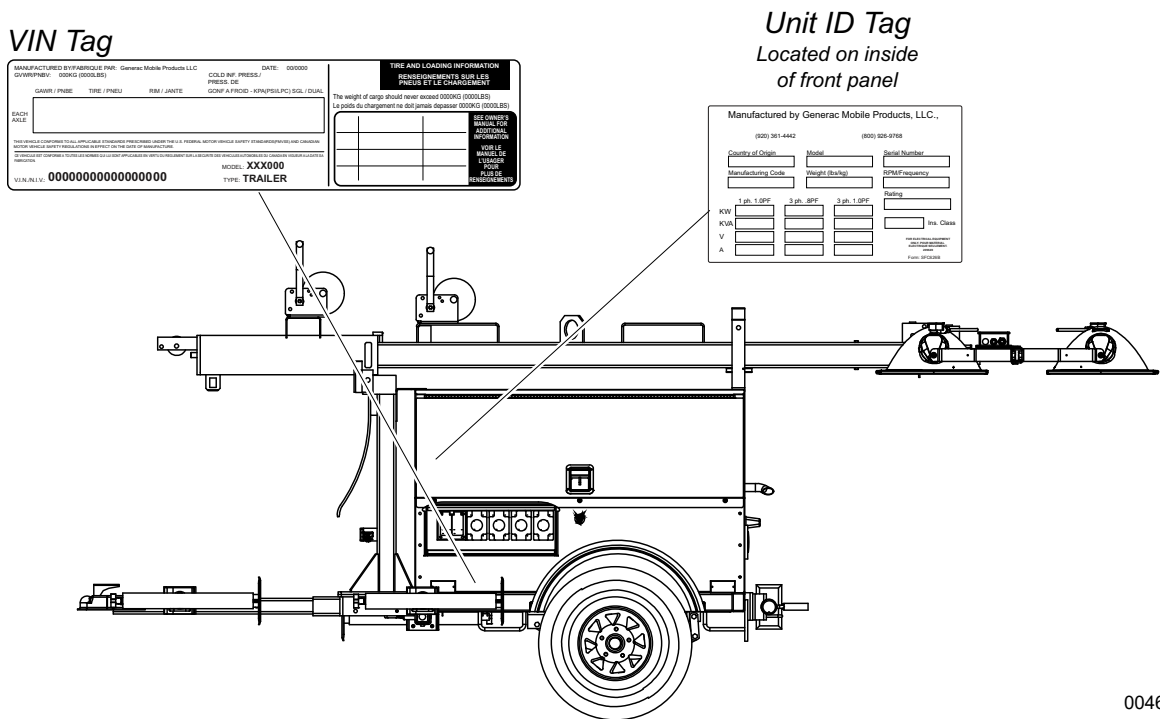
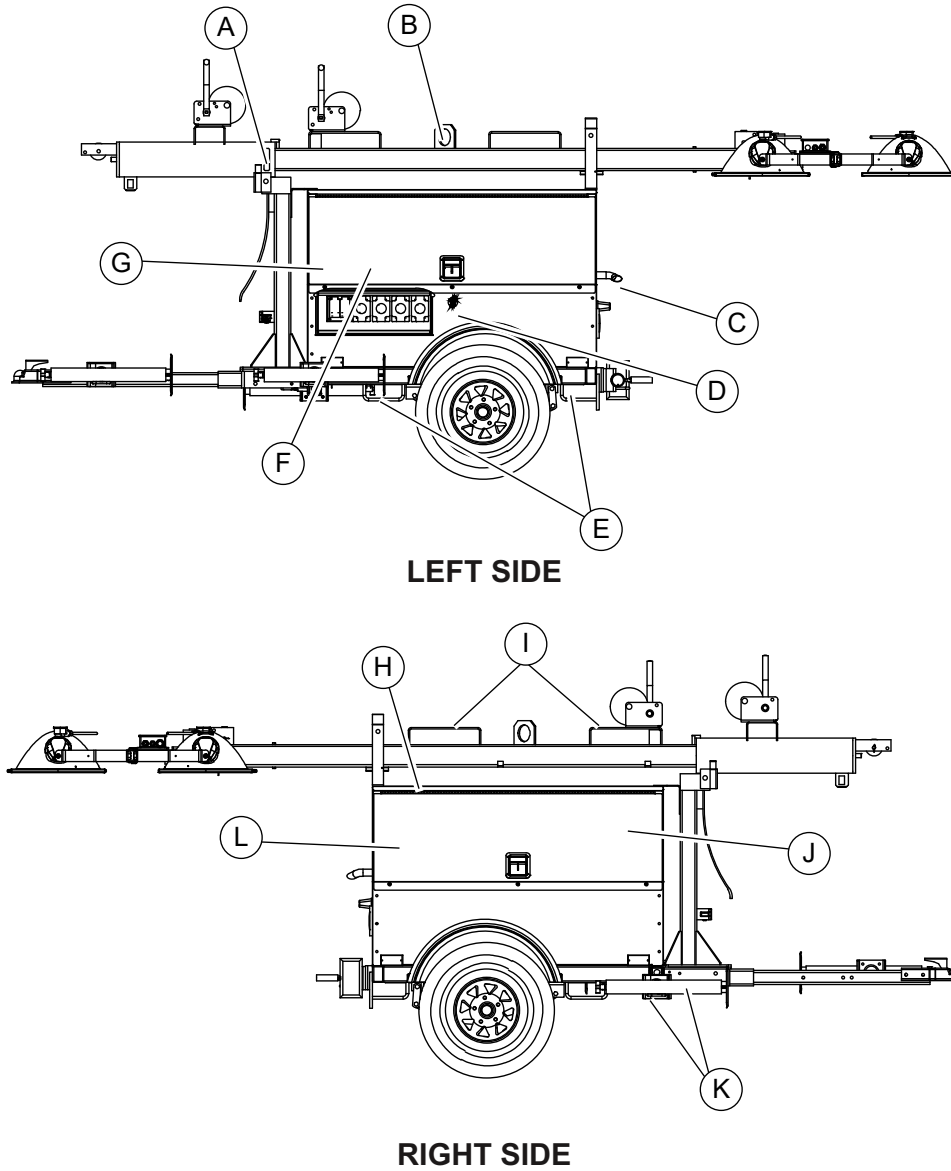


Figure 2-2. Serial Number Locations

004650

Component Locations

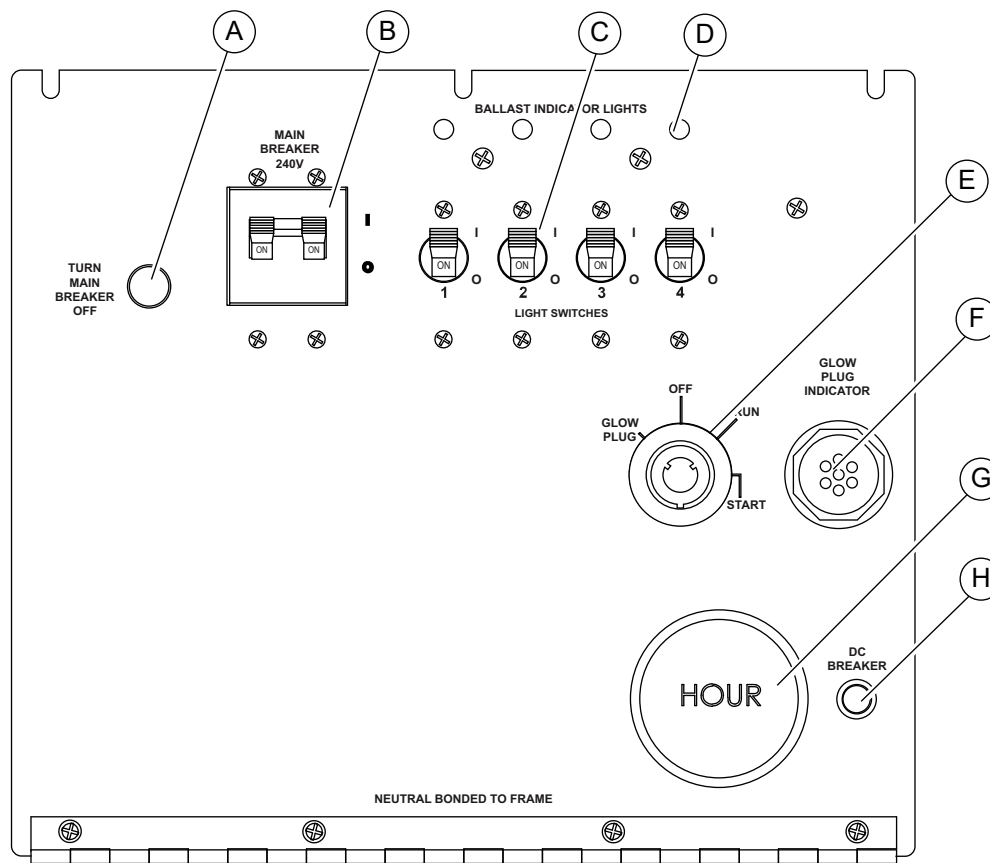


004497

Figure 2-3. Component Locations

A	Mast rotation knob	E	Lower Forklift pockets	I	Upper forklift pockets
B	Central lifting point	F	Battery	J	Fuel fill
C	Engine exhaust	G	Control box	K	Outriggers
D	Emergency Stop Switch	H	Radiator	L	Engine access

Main Control Panel



004625

Figure 2-4. Control Panel

(A) Main Circuit Breaker

This 240V (70A or 100A) breaker will disconnect power to the lights and receptacles.

(B) Circuit Breaker Indicator Light

This light indicates that the main circuit breaker must be opened (switched off) before starting the engine.

(C) Light Switches

One circuit breaker is supplied for each light.

(D) Ballast Indicator Lights

Indicates power from the ballast to each light.

(E) Ignition Key Switch

Keyed switch operates glow plugs, starts and stops engine.

(F) Glow Plug Indicator

Indicates operation of the engine glow plugs. (Mitsubishi version shown.)

(G) Hour Meter

Keeps track of engine hours.

(H) 10A Circuit Breaker

This page intentionally left blank.

Section 3: Operation

Light Tower Setup

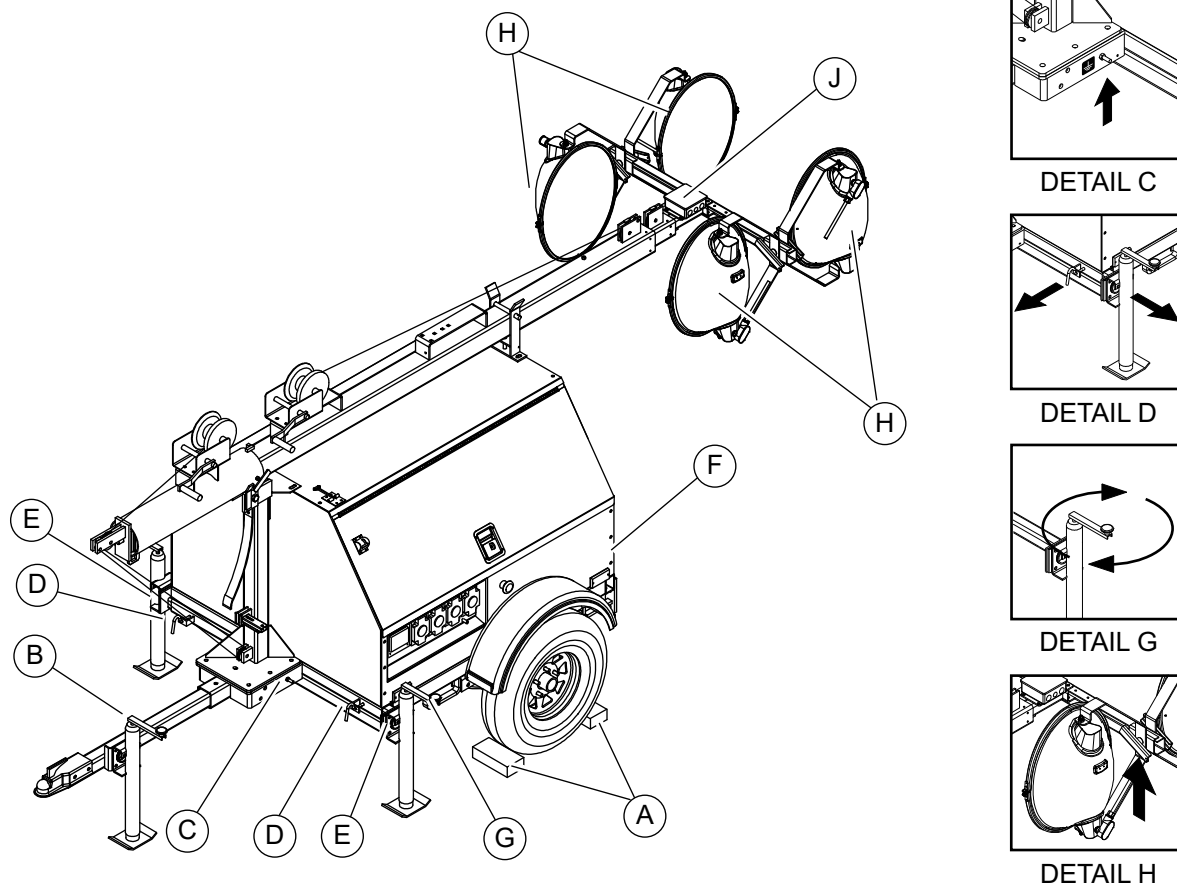


Figure 3-1. Set Up Outriggers and Jacks

004659



⚠ DANGER

High Voltage. Verify area above unit is clear of overhead wires and obstructions. Contact with high-voltage power lines will result in death or serious injury. (000260a)



⚠ WARNING

> 60 mph Do not set up the unit if high winds are expected. High winds can cause the unit to tip or fall, causing severe injury or machine damage. (000297)

1. For maximum light coverage, position the unit at ground level or in a spot higher than the area being illuminated by the lamps.

NOTE: The mast extends up to 30 ft (9.14 m).

2. See **Figure 3-1**. Place the unit on firm ground that is relatively flat (less than 5° slope), and then block the wheels to keep it from moving (A). This will make it easier to level the unit.
3. Pull the locking pin on the tongue jack (B) and rotate the jack 90°. Reinstall the locking pin. Rotate the jack handle clockwise to raise the trailer tongue off the towing vehicle.
4. A grounding stud (C) is located on the frame of the trailer at the base of the mast post. For grounding requirements, follow National Electrical Code (NEC), state, and local regulations.
5. Pull the locking pins (D) on the outriggers (E) and pull each outrigger out until the spring loaded locking pin snaps back into place. Pull the locking pin on each outrigger jack and rotate each jack 90° so the jack pad is facing down. Install the locking pin.
6. Pull the locking pin on the rear jack (F) and rotate it 90°. Install the locking pin. Turn the jack handle clockwise to start leveling the trailer.

7. Rotate each jack handle clockwise to start leveling the trailer. Adjust all four jacks by rotating their handles clockwise until they are firmly in contact with the ground (G).
8. Before raising the mast, it may be necessary to adjust the lamps. The lamps may be adjusted up, down, left or right by loosening the wing nuts on the trunnion (H) and aiming the lamps in the desired direction. Tighten the hardware completely and make sure the lamps are connected to the junction box (J).

Prestart Checklist

Before starting the unit, all items in the prestart checklist must be completed. This checklist applies to both manual and remote starting of the unit.



⚠️ WARNING

Consult Manual. Read and understand manual completely before using product. Failure to completely understand manual and product could result in death or serious injury. (000100a)

- Verify all maintenance procedures are up to date. For more information, refer to **General Maintenance** and **Basic Maintenance Schedule**.
- The unit must be level.
- The unit must be dry. Look for water inside or near the unit; dry if needed.
- For grounding requirements, follow National Electrical Code (NEC), state, and local regulations.
- Verify the Control Power switch is in the OFF (O) position.
- Verify all circuit breakers are in the OFF (O) position.
- Inspect all electrical cords; repair or replace any that are cut, worn, or bare.
- Verify all winch cables are in good condition and centered on each pulley. Do not use if cables are kinked or beginning to unravel.
- Check oil, coolant, and fuel levels. For more information, refer to **General Maintenance**.
- Verify battery connections are secure.
- Turn the battery disconnect switch on, if equipped.
- Check the engine fan belt tension and condition.
- Check the engine fan belt guard.
- Check the engine exhaust system for loose or rusted components.
- Verify all covers are in place and secure.
- Verify the emergency stop switch is pulled out

Raising the Mast

1. Set up and level the unit. See **Light Tower Setup**.



⚠️ DANGER

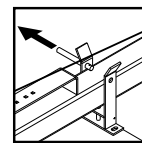
Electrocution. DO NOT use the unit if electrical cord is cut or worn through. Doing so will result in death or serious injury.

(000263a)

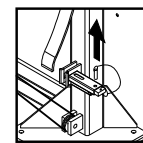
⚠️ WARNING

Tipping hazard. Extend the outriggers and level the unit before raising the mast. Keep the outriggers extended while the mast is up. Failure to do so could cause the unit to tip and fall and could result in death or serious injury.

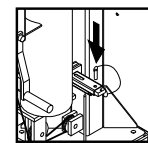
(000266)



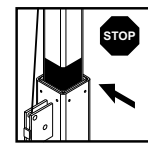
DETAIL A



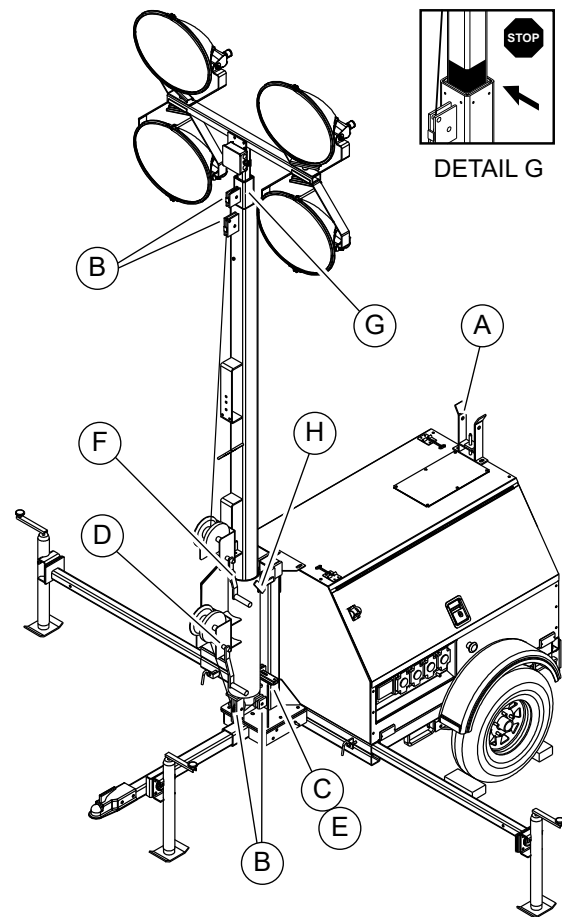
DETAIL C



DETAIL E



DETAIL G



004660

Figure 3-2. Raising the Mast

2. See **Figure 3-2**. Remove mast cradle locking pin from mast cradle (A).

3. Check the mast cables for excessive wear or damage. Verify the cables are properly centered in each pulley (B). Check the electrical cord for damage.
4. Verify the area around the unit is clear before raising the mast to vertical position.
5. Remove the safety pin from the mast lock bar (C). Using the handle for the lower mast winch (D), raise the mast until it is vertical and the tab on the mast is positioned into the mast lock. The mast lock bar should snap into place automatically. Secure the lock with the safety pin (E).
6. After the mast is up and locked into place, use the upper mast winch (F) to telescope the mast to the desired height. Extend the mast slowly, making sure the electrical cord is extending at the top sections of the mast. Do not extend past the colored mark (G).

IMPORTANT NOTE: Contact a Generac Mobile Products Authorized Service Dealer immediately if the mast hangs up or the winch cable develops slack.

7. Rotate the mast by loosening the mast rotation knob at the bottom of the mast (H). Turn the mast until the lights face in the desired direction and then tighten the knob.

WARNING

Tipping hazard. Do not extend the mast beyond the colored mark on the second mast section. The unit can become unstable and tip or fall, causing injury.

(000262)

WARNING

Personal Injury. Stop immediately if the mast hangs up or the winch cable develops slack. Excess slack could cause the mast to collapse, resulting in personal injury or equipment damage.

(000265)

WARNING

Personal injury or equipment damage. Do not raise or lower the mast while the unit is operating. Doing so can break the lenses and cause the lamps to shatter.

(000279)

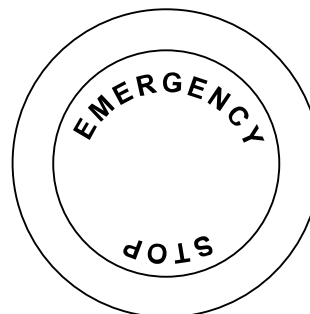
Emergency Stop Switch

The unit is equipped with one emergency stop switch. For location of the emergency stop switch, refer to [Component Locations](#). The red switch is clearly labeled "EMERGENCY STOP." The switch can be accessed and activated with all doors closed and locked.

Activate the emergency stop switch by pushing the red button in until it locks down.

The switch will remain closed until it is pulled out.

NOTE: Use the emergency stop switch only when the unit must be shut down immediately. For any other shut down, refer to [Shutting Down the Unit](#).



002393

Figure 3-3. Emergency Stop

Starting the Unit

NOTE: If the engine was run out of fuel or the fuel tank was drained, it may be necessary to bleed the fuel lines. Refer to the engine operator's manual supplied with the unit.

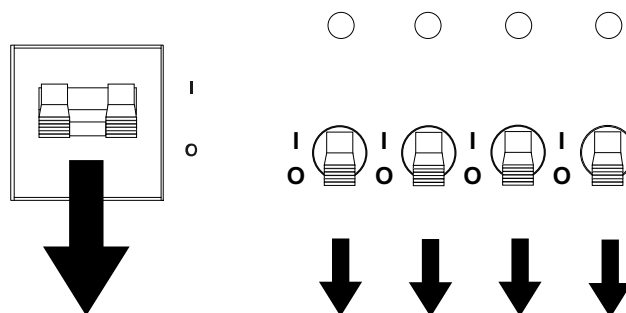
1. See [Figure 3-4](#). Verify the main circuit breaker and individual circuit breakers for each of the lights are OFF (O).

WARNING

Equipment Damage. Never start the engine with circuit breakers switched on. Any load connected to the generator at start up will cause severe damage or destroy the generator.

(000368)

NOTE: If the red light on the control panel TURN MAIN BREAKER OFF is illuminated when the key is turned to the START position, the breaker is closed (switched on) and must be turned OFF (O).



003791

Figure 3-4. Circuit Breakers in OFF (O) Position

- See **Figure 3-5**. Turn the key on the Engine Start switch to the left GLOW PLUG position and hold the key in place for 10-15 seconds or until the glow plug indicator turns red (if equipped).

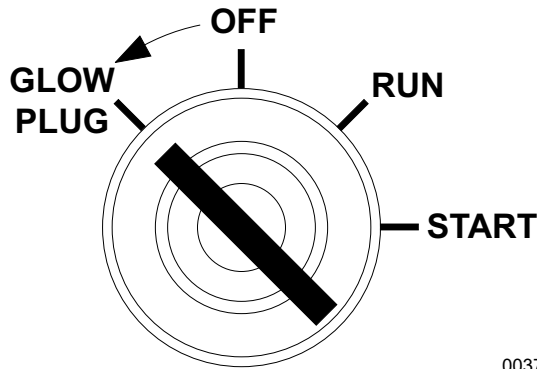


Figure 3-5. Activate Glow Plug

003792

- See **Figure 3-6**. Turn the key to the right START position and hold it until the engine cranks and starts running.

CAUTION

Equipment Damage. Do not continuously crank engine for more than ten seconds. Doing so will lead to overdischarge of batteries and starter seizure.

(000230)

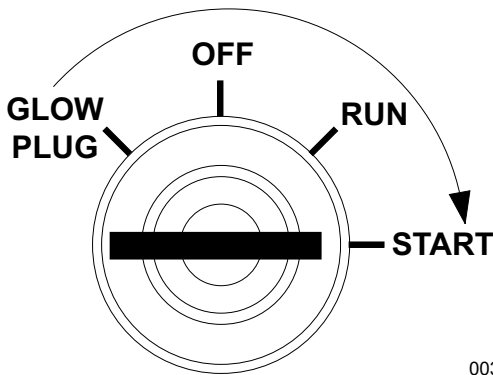


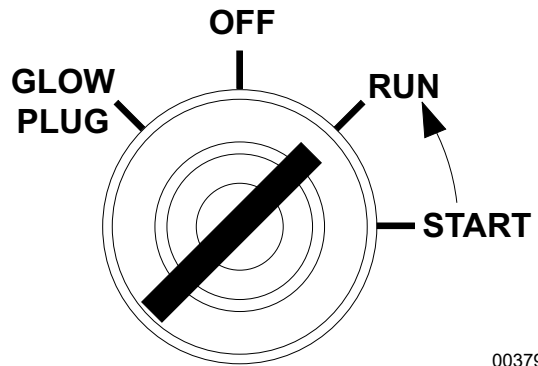
Figure 3-6. Crank Engine

003793

- See **Figure 3-7**. Release the key, it will move to the RUN position.

NOTE: For cold weather conditions, refer to the engine operator’s manual for appropriate glow plug interval.

NOTE: If oil pressure is not obtained within 15 seconds after the key is switched to the RUN position, the low oil automatic shutdown will turn off the fuel supply, stopping the engine. Check the oil level and turn the key to the OFF position to reset the oil pressure timer before attempting to restart the engine.



003794

Figure 3-7. Release Key

- Once the engine is running, allow it to reach normal operating temperature before switching on any loads.

Automatic Shutdown

This unit is equipped with a low oil pressure and high coolant temperature automatic shutdown system. This system will automatically shut off the fuel supply to stop the engine if oil pressure drops too low or the engine exceeds normal operating temperature. Return the main circuit breaker to the OFF position to reset the unit after the cause of shutdown has been determined.

Light Operation



WARNING

Burn hazard. Never operate lights with a damaged or missing lens cover. Lamps are hot and pressurized while in use. Unprotected lamps can shatter, causing severe injury.

(000277)

- Verify the unit is on and running smoothly.
- See **Figure 3-8**. Switch main circuit breaker (A) ON (I).
- Switch the individual circuit breakers for the lights (B) ON (I), one at a time.
- The ballast indicator lights (C) will turn on and continue to get brighter as the lights warm up, and then remain on. This confirms power is coming from the ballasts to the lights.

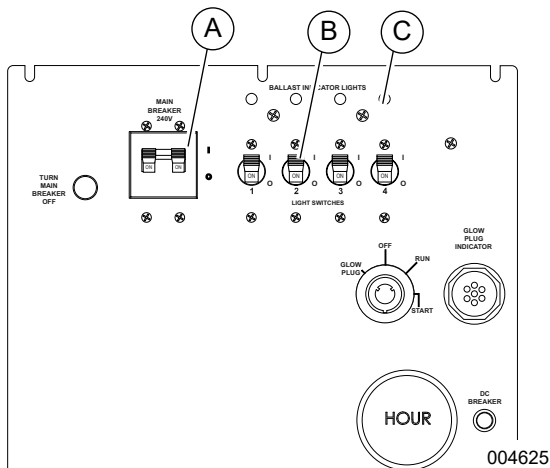


Figure 3-8. Light Switches and Breaker

NOTE: If an indicator light does not turn on, see [Troubleshooting](#) or contact a Generac Mobile Products Authorized Service Dealer.

NOTE: The lights require a warm up period of 5-15 minutes before they reach full output. If the lights are shut down, they require a cool down period of approximately ten minutes before they can be switched on again.

NOTE: The light tower uses four 1100W bulbs. When checking or replacing the bulbs, wipe them with a clean cloth to avoid leaving any grease, oil residue or fingerprints on the glass. Any residue can create a hot spot on the bulb, causing premature bulb failure.



WARNING

Burn hazard. Lamps become extremely hot while in use. Allow 10–15 minutes for cooling before handling or lowering mast. Touching a hot lens or fixture can cause severe burns.

(000278)

Auxiliary Outlets

See [Figure 3-9](#). The control panel is equipped with multiple receptacles for running accessories or tools from the generator. Power is supplied to the receptacles any time the engine is running and the main circuit breaker and the receptacle circuit breakers are switched to the ON (I) position.

Should the main breaker, or any of the individual circuit breakers trip, remove some of the load to the receptacles before turning them back on.

Each receptacle has an individual circuit breaker, located inside the cabinet under a flip-up cover. Each circuit breaker correspond with the receptacle directly below it.

With all of the lights off, the full generator output may be used with the receptacles.

NOTE: To ensure proper grounding, anytime the generator is providing power to any equipment or load panels that does not have a grounded plug, a ground wire **MUST BE** added between the equipment and the grounding stud (A) on the receptacle panel per the National Electrical Code (NEC), state, and local regulations.

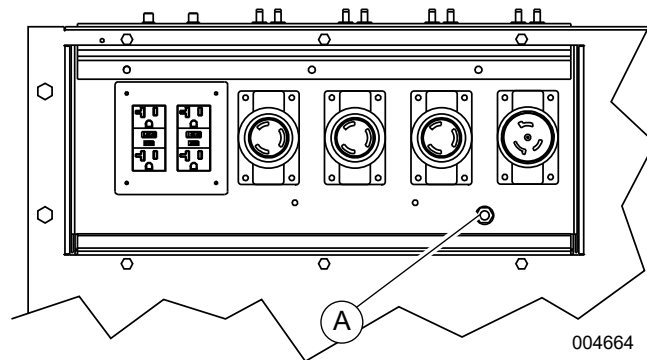


Figure 3-9. Auxiliary Outlets

Wet Stacking

The unit is powered by a diesel engine. Diesel engines are susceptible to wet stacking if lightly loaded. Wet stacking occurs when an engine is run at less than 30% of its full load capacity, causing unburned fuel to accumulate in the exhaust system. Wet stacking can be detected by continuous black exhaust when the unit is under a constant load. It can also cause fouling of injectors and buildup on engine valves. Diesel engines operate properly when applied loads are between 30% and 100% capacity. Appropriate generator sizing is determined by the anticipated load. If the unit is in a wet stack condition, load the unit heavily for five hours or until the exhaust is clear.

Voltage Regulator

Units are equipped with an electronic voltage regulator. The voltage regulator controls the output of the generator by regulating the current into the exciter field. The voltage regulator is adjusted before shipment from factory. Contact Generac Mobile Products for additional information before attempting to adjust the voltage regulator.

Engine Derating

All units are subject to derating for altitude and temperature. Derating reduces the available power for operating tools and accessories connected to the outlets. For every increase in 1000 ft (305 m) of elevation, engine performance for this unit typically drops between 2% and 4%. Also, engine performance decreases about 1% for every 10°F (5.6°C) increase in ambient air temperature over 72°F (22°C).

Shutting Down the Unit

Check with personnel using power supplied by the unit and let them know the power is going to be turned off. Make sure the power shutdown will not create any hazards by accidentally turning off equipment that needs to remain running (pumps, compressors, lights, etc.).

1. Remove all loads from the outlets.
2. See [Figure 3-10](#). Switch the individual circuit breakers for each light OFF (O).
3. Switch the main circuit breaker OFF (O).
4. Turn Control Power switch to OFF (O) position.

NOTE: For extended storage time, disconnect the battery. For extended storage requirements, refer to the engine operator's manual.

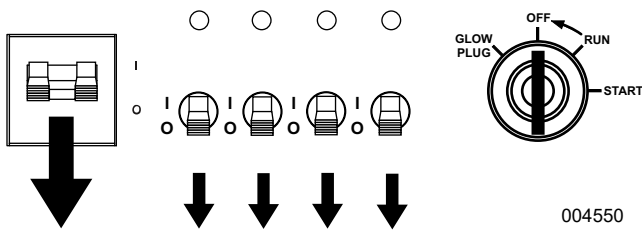


Figure 3-10. Shutting Down the Unit

Lowering the Mast



WARNING

Burn hazard. Lamps become extremely hot while in use. Allow 10–15 minutes for cooling before handling or lowering mast. Touching a hot lens or fixture can cause severe burns.

(000278)

1. Shut down the lights and engine. See [Shutting Down the Unit](#).
2. If the unit is going to be moved, it is recommended that the mast is turned so the lights face the rear of the unit. To rotate the mast:
 - a. Loosen the mast rotation knob.
 - b. Rotate the mast until the white arrows are aligned and the metal stop tabs are touching.
 - c. Tighten the mast rotation knob.
3. Turn upper mast winch handle counterclockwise to collapse mast to its lowest position. Verify the coiled electrical cord does not get caught in, or pinched by, the mast while it is being lowered.

WARNING

Personal Injury. Stop immediately if the mast hangs up or the winch cable develops slack. Excess slack could cause the mast to collapse, resulting in personal injury or equipment damage.

(000265)

IMPORTANT NOTE: Contact a Generac Mobile Products Authorized Service Dealer immediately if the mast hangs up or the winch cable develops slack.

4. Release the mast lock by pulling the safety pin on the mast lock and pulling the lock bar free. Turn the handle of the lower mast winch counterclockwise until the mast rests in the transport cradle.

NOTE: If the mast lock bar does not pull free, activate the lower winch slightly to relieve pressure on the mast bar.

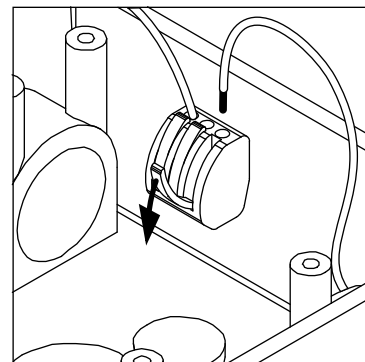
5. After the mast is completely down, insert the mast cradle locking pin and secure it with the safety pin.

NOTE: Generac Mobile Products strongly recommends that the lights be removed from the mast and stowed for transportation. See [Removing the Lights for Transportation](#).

Removing the Lights for Transportation

1. See [Figure 3-11](#). On units equipped with quick disconnect fittings for the lights, disconnect the power cords from the junction box at the top of the mast.
2. Replace the dust caps on the junction box. On other units, remove the junction box cover on the top of the mast and disconnect **ONLY** the mast light wires from the terminal blocks.
3. To release the wires from the terminal blocks, flip the locking levers down and pull out the appropriate wires.
4. Remove the lights by removing the nyloc nut that holds the light fixture bracket to the cross tube.
5. Attach the lights to the storage brackets (if equipped) located on the mast tube on either side of the central lifting eye.

NOTE: When installing the lights, verify the star washer is in place between the trunnion and T-handle before tightening.



004481

Figure 3-11. Removing Lights for Transportation

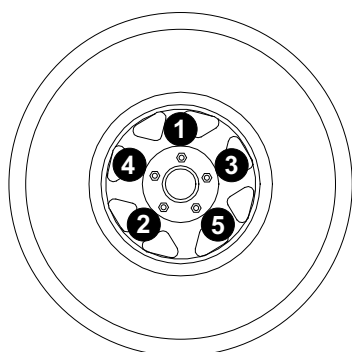
Towing the Unit

Once the engine is shut down and the mast and lights are properly stowed, follow these steps to prepare the unit for towing.

1. Raise the rear jack completely and release the locking pin to rotate it up into the travel position. Verify the locking pin snaps into place.
2. Raise the outrigger jacks completely and release the jack locking pins to swing the jacks up into the travel position. Verify the locking pins snap into place. Release the outrigger locking pins and slide the outriggers into the trailer frame until the locking pins snap into place.
3. Use the tongue jack to raise or lower the trailer onto the hitch of the towing vehicle. Lock the hitch coupling and attach safety chains or cables to the vehicle. Remove the jack locking pin and rotate the jack into the travel position. Replace the locking pin.

NOTE: A film of grease on the coupler will extend coupler life and eliminate squeaking. Wipe the coupler clean and apply fresh grease each time the unit is towed.

4. To ensure proper operation of the jacks, lubricate the grease fittings located on the leveling jacks. Refer to **Jack Maintenance**. For maintenance interval information, refer to **Basic Maintenance Schedule**.
5. Connect any trailer wiring to the tow vehicle. Check for proper operation of the directional and brake lights.
6. Verify the mast cradle lock is in place.
7. Verify the doors and enclosure are properly latched.
8. If driving over rough ground, remove the bulbs from the light fixtures.
9. Check for proper inflation of the trailer tires. For maximum tire pressures, refer to **Specifications**.
10. See **Figure 3-12**. Check the wheel lugs. Tighten or replace any lugs that are loose or missing. If a tire has been removed for axle service or replaced, tighten the lugs, in the order shown, to the following specifications:



003754

Figure 3-12. Tightening Wheel Lugs

- a. Start all lug nuts by hand.
- b. First pass: tighten to 20-25 ft-lbs (27-33 Nm).
- c. Second pass: tighten to 50-60 ft-lbs (67-81 Nm).
- d. Third pass: tighten to 90-120 ft-lbs (122-162 Nm).

NOTE: After the first road use, re-torque the lug nuts in sequence.

11. Maximum recommended speed for highway towing is 45 mph (72 km/h). Recommended off-road towing speed is not to exceed 10 mph (16 km/h) or less, depending on the terrain.

Lifting the Unit

Follow these steps to prepare the unit for lifting:

1. Verify the equipment being used to lift the unit is in good condition and has sufficient capacity. For approximate weights, refer to **Specifications**.
2. See **Figure 3-13**. Close and lock all hoods and doors and stow the lights as shown.
3. Verify the cradle locking pin is in place.
4. When lifting the light tower and trailer, attach any slings, chains or hooks directly to the central lifting eye (A).
5. Always remain aware of people and objects around the unit while preparing, maneuvering, and lifting the unit.
6. Use the upper (B) or lower forklift pockets (C) with care. Approach the unit as perpendicular as possible to avoid any damage to the unit. Make sure the mast winch handles or any other obstructions are clear of the forklift tines before lifting.

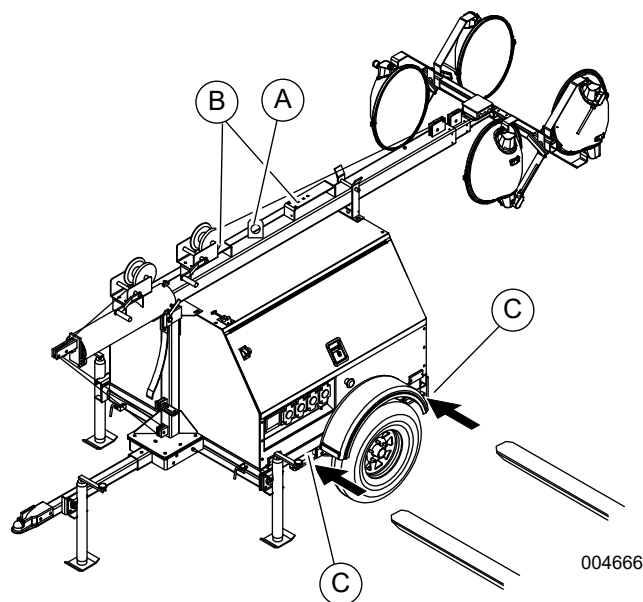


Figure 3-13. Lifting Point

This page intentionally left blank.

Section 4: Maintenance

Emissions Information

For warranty information, please refer to the diesel engine manual supplied with this unit.

Daily Walk-Around Inspection

Perform a walk-around inspection of the unit every day before starting the unit. Look for conditions that could hinder performance or safety, such as (but not limited to):

- Oil, coolant, and fuel leakage
- Blocked vents
- Loose or missing hardware
- Loose or broken electrical connections.

Inspect the fan belt for cracks, fraying, or stretching. Verify the belt is properly seated in the pulley grooves. Replace the belt according to the manufacturer's recommendations.



Equipment Damage. Failure to perform a daily inspection could result in damage to the unit.

(000306)

General Maintenance

Poorly maintained equipment can become a safety hazard. In order for the equipment to operate safely and properly over a long period of time, periodic maintenance and occasional repairs are necessary. **DO NOT** perform routine service (oil and filter changes, cleaning, etc.) unless all electrical components are shut off.

Regular maintenance will improve performance and extend engine/equipment life. Generac Mobile Products LLC recommends that all maintenance work be performed by a Generac Mobile Products Authorized Service Dealer. Regular maintenance, replacement or repair of the emissions control devices and systems may be performed by any repair shop or person of the owner's choosing. However, to obtain emissions control warranty service free of charge, the work must be performed by a Generac Mobile Products Authorized Service Dealer or authorized engine dealer depending on the repair. See the emissions warranty.

Preparing for Service

Before servicing the unit, always follow the instructions listed below.

1. Verify the control power switch is in the OFF position.
2. Verify the circuit breakers are switched OFF (O).

3. Activate (push in) the emergency stop switch.
4. Disconnect the negative (–) terminal on the battery.
5. Attach a “Do Not Start” sign to the control panel. This will notify everyone that the unit is being serviced and will reduce the chance of someone inadvertently trying to start the unit.

Cleaning the Unit

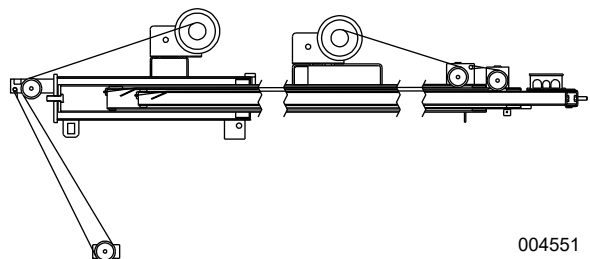
Always clean the Light Tower after each use to remove dust, grease, mud, or spilled fuel or oil. Use soft, clean rags to wipe the cabinet exterior and control panel. Low-pressure compressed air (less than 40 PSI [276 kPa]) can also be used to remove dust and debris from the cabinet interior.

This unit contains sensitive electronic components that can be damaged by high pressure and heat. Therefore:

- Do not wash the unit with a high pressure hose or power washer.
- Do not wash the engine block or fuel tank with a power washer or steam cleaner. Water may enter the cabinet and collect in the generator windings or other electrical parts, causing damage.

Inspecting the Unit

- If the unit is stored outside, check for water inside the cabinet and generator before each use. If wet, dry the unit thoroughly before starting.
- Inspect condition of electrical cords. **DO NOT** use the unit if insulation is cut or worn through.
- Verify winch cables are in good condition and centered on each pulley. **DO NOT** use a cable that is kinked or starting to unravel.
- Verify the safety pins for the mast lock rod and mast lock bar are present and secured with a chain. Check that the spring located in the mast lock bar is not broken or missing. Check the operation of the mast lock bar.
- See [Figure 4-1](#). Verify correct mast cable routing.



004551

Figure 4-1. Power Mast Cable Routing

- Verify the wheel lugs are present and properly tightened. Refer to **Towing Safety**.
- Check the coolant level daily by inspecting the level in coolant overflow jug located near the radiator. Refer to the engine operator's manual for coolant recommendations and proper mixture. Normal operating level is between the 'full' and 'add' markings on the overflow jug.
- **AFTER ENGINE IS STOPPED AND COMPLETELY COOL**, coolant may be added directly to the coolant overflow jug.
- Check the oil level daily. Refer to the engine operator's manual for the appropriate oil specification. Verify the oil is correct for special operating conditions such as a change in season or climate.
- **DO NOT** start the unit if the engine oil level is below the add mark on the dipstick.
- Normal operating level is in the cross-hatch pattern between the full and add markings on the dipstick.
- Add oil only if the oil level is below the add mark on the bottom of the cross-hatch pattern on the dipstick. **DO NOT OVERFILL** the crankcase.
- Check the fuel level.
- If the unit is connected to a remote start or transfer switch, make sure the remote switch is also off and tagged.

NOTE: If the engine was run out of fuel or the fuel tank was drained, it may be necessary to bleed the fuel lines. Refer to the engine operator's manual supplied with the unit.

Basic Maintenance Schedule

Refer to the original equipment manufacturer's operating manual for a complete list of maintenance requirements. Failure to comply with the procedures as described in the engine operator's manual will nullify the warranty, decrease performance and cause equipment damage or premature equipment failure. Maintenance records may be required to complete a warranty request.

Use the schedule in the following table as a guide for regular maintenance intervals. For additional or replacement copies of the engine operator's manual, contact a Generac Mobile Products Authorized Service Dealer.

Table 4-1. Basic Maintenance Guide (Mitsubishi)

Item	Daily	50 Hours	250 Hours	400 Hours	500 Hours	750 Hours	1000 Hours	As Required
Check Oil Level	◆							
Check Coolant Level	◆							
Check Fuel Level	◆							
Check Tire Pressure	◆							
Check All Electrical Connections	◆							
Inspect Radiator Fins For Debris, Clean As Required	◆							
Inspect Light Tower Winch For Proper Operation	◆							
Fuel Tank - Drain Water		◆						
Check Air Cleaner		◆						
Belt And Belt Tension - Inspect And Adjust			◆					
Replace Fuel Filter				◆				
Drain And Clean Fuel Tank					◆**			
Check Glow Plugs					◆			
Lubricate Leveling Jacks					◆			
Replace Engine Oil And Oil Filter						◆*^		
Bolts And Nuts On The Engine - Retighten							◆*	
Replace Heated Fuel Filter (If Equipped)							◆	
Inspect Engine Starting Battery							◆	
Air Cleaner Element - Clean, Check And Replace								◆
Fuel System - Bleed Air								◆
Water Sedimenter - Drain Water								◆

* Perform after the initial 50 hours of operation, then on the regularly scheduled interval indicated in the schedule above.

** Certain conditions may require the fuel tank to be drained and cleaned more often. When operating in extremely dusty conditions, clean the fuel tank as often as necessary.

^ Applies to units with serial number 1506075 and higher.

Table 4-2. Basic Maintenance Guide (Isuzu)

Item	Daily	250 Hours	500 Hours	750 Hours	1000 Hours
Check Oil Level	◆				
Check Coolant Level	◆				
Check Fuel Level	◆				
Drain Fuel Filter	◆				
Check Tire Pressure	◆				
Check All Electrical Connections	◆				
Clean Battery	◆				
Check Fan Belt Tension (Replace If Necessary)	◆				
Inspect Radiator Fins For Debris, Clean As Required	◆				
Preheating Condition Check	◆				
Check Engine Starting Conditions And Noise Conditions	◆				
Check Exhaust Smoke Condition	◆				
Inspect Light Tower Winch For Proper Operation	◆				
Replace Fuel Filter Element		◆			
Clean Water Sedimenter Element		◆			
Electromagnetic Pump Filter Replacement or Cleaning		◆			
Check Fan Belt Tension (Replace If Necessary)			◆		
Replace Air Filter Element			◆		
Lubricate Leveling Jacks			◆		
Replace Engine Oil and Oil Filter		◆			
Replace Heated Fuel Filter (If Equipped)					◆
Inspect Engine Starting Battery					◆

Winch Use, Operation and Maintenance

Prior to Use

- Inspect rope or cable and replace if damaged.
- Check mounting hardware for proper tightness and re-torque if necessary.
- Gears, ratchet pivot point, and shaft bushings must be kept lubricated with a thin film of oil or grease.

Operation

Raising the Lights:

1. The cable must be securely fastened to the winch drum.
2. Verify the cable and cable attachments are not damaged. Verify there is adequate safety factor of at least three times the maximum load for all components used. Contact Generac Mobile Products to order a replacement cable if necessary.
3. Referring to the "Cable In / Cable Out" decal on the winch, turn handle according to the specified

direction to lift. The ratchet MUST make a loud clicking sound while winding the cable.

Lowering the Lights:

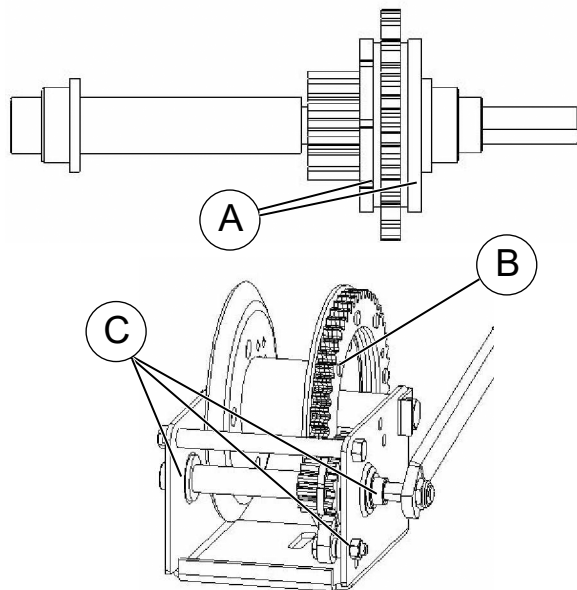
Referring to the "Cable In / Cable Out" decal on the winch, turn handle according to the specified direction to lower. No clicking will be heard because the brake system is activated.

Maintenance

The following procedures should be performed at least annually:

1. See **Figure 4-2**. The gears and bushings of the winch must be kept lubricated. Apply a thin film of grease to the gear teeth (B), and oil the bushings as needed (C).
2. The ratchet pawl pivot point must be kept lubricated with a thin oil.

NOTE: Do not get oil or grease on the friction discs (A).



004480

Figure 4-2. Winch Maintenance

Optional Lower Radiator Hose Heater Use and Maintenance

The following points should be followed when operating a unit equipped with a lower radiator hose heater.

IMPORTANT NOTE: Improper use of the lower radiator hose heater could result in serious personal injury.

- Verify that cooling system is full of a proper mixture of water and engine coolant before each heater use.
- Heater is designed for all-night operation; however, 2-5 hours of heating just prior to starting is usually sufficient for proper engine starting.
- When heater is in operation, unit must be parked in a level position to maintain the proper orientation of the heater.
- Use only an undamaged extension cord, outdoors rated, three-prong grounded 120VAC cord with a minimum amperage rating of 10A. Connect to properly grounded 120VAC, GFCI outlet only.
- Before starting the engine, unplug extension cord from power first; then unplug heater cordset from extension cord.

Trailer Wheel Bearings

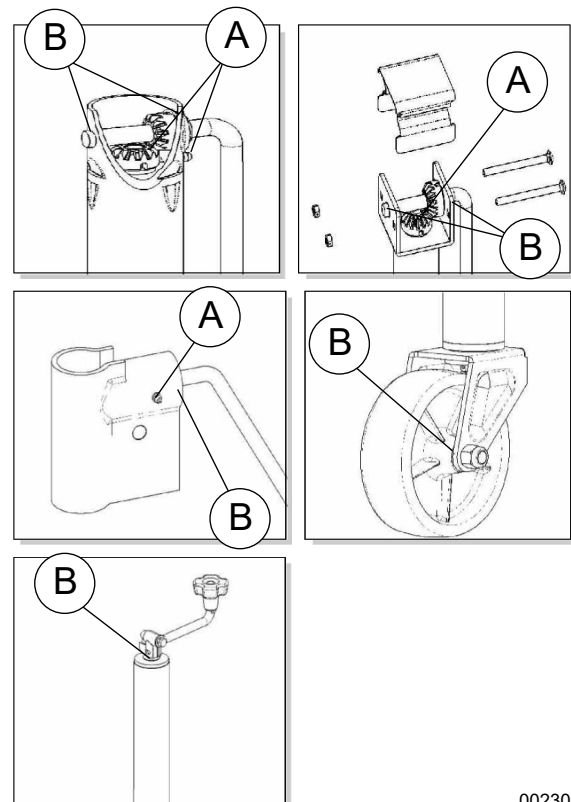
The light tower is equipped with a grease zerk fitting to allow lubrication of the wheel bearings without the need to disassemble the axle hub. To lubricate the axle bearings, remove the small rubber plug on the grease cap, attach a standard grease gun fitting to the grease zerk fitting and pump grease into the fitting until new grease is visible around the nozzle of the grease gun.

Use only a high quality grease made specifically for lubrication of wheel bearings. Wipe any excess grease from the hub with a clean cloth and replace the rubber plug when finished. The minimum recommended lubrication is every 12 months or 12,000 miles (19,312 km); more frequent lubrication may be required under extremely dusty or damp operating conditions.

Jack Maintenance

The following procedures should be performed at least annually: For side-wind models, the internal gearing and bushings of the jack must be kept lubricated.

- See **Figure 4-3**. Apply a small amount of automotive grease (A) to the internal gearing by removing the jack cover, or if equipped, use a needle nose applicator or standard grease gun on the lubrication point found on the side of the jack near the crank. Rotate the jack handle to distribute the grease evenly.
- A lightweight oil (B) must be applied to the handle unit at both sides of the tube for side-wind models.
- If equipped, the axle bolt and nut assembly of the caster wheel must also be lubricated with the same lightweight oil.
- For top-wind models, apply a lightweight oil to the screw stem.



002306

Figure 4-3. Jack Maintenance

This page intentionally left blank.

Section 5: Troubleshooting

General Troubleshooting

Some of the more common problems are listed in the table below. This information is intended to be a check or verification that simple causes can be located and fixed. It does not cover all types of problems. Refer to the OEM engine operator's manual for additional troubleshooting information. Procedures that require in-depth knowledge or skills should be referred to a Generac Mobile Products Authorized Service Dealer.



WARNING

Risk of burns. Allow engine to cool before draining oil or coolant. Failure to do so could result in death or serious injury.

(000139)

Table 5-1. General Troubleshooting Guide

Problem	Possible Cause	Solution
Low oil pressure shutdown	Low oil level	Verify oil level on dipstick. Add oil, if needed.
	Oil leaking from engine	Visually inspect the engine for leaks.
	Oil pressure switch failure	Refer to OEM engine operator's manual to identify corrective action.
High coolant temperature shutdown	Low coolant level	Add coolant if needed. Allow engine to cool, then check coolant level in radiator. Restart engine and check coolant temperature. Stop engine immediately if coolant temperature is 210°F (99°C) or more.
	Blockage in radiator	Inspect radiator shroud and ducting for blockage and remove any foreign matter.
	Leakage in coolant hoses, engine block, or water pump	Inspect for visible leaks. Verify tension of water pump serpentine drive belt. Remove load on generator and restart engine. Verify coolant temperature and shut engine down immediately if it starts to overheat. Refer to the OEM engine operator's manual for additional information on engine overheating.
Unit cranks, but will not start	Fuel level low	Check fuel level in tank. Verify fuel pump operation.
	Restricted air filter	Inspect air filter for blockage. Refer to OEM engine operator's manual for additional information.
Overspeed or Underspeed Shutdown	Frequency setting incorrect	Disconnect all loads and restart unit. Read frequency (Hz) in the LCD window on controller. Frequency should read 60 Hz. If frequency is above 60 Hz, engine speed will need to be adjusted. Refer to the engine operator's manual for throttle adjustment information.

If problems persist, contact Generac Mobile Products at 1-800-926-9768 for assistance.

Troubleshooting the Lights



WARNING

Burn hazard. Lamps become extremely hot while in use. Allow 10–15 minutes for cooling before handling or lowering mast. Touching a hot lens or fixture can cause severe burns.
(000278)

IMPORTANT NOTE: Only a qualified electrician should troubleshoot or repair electrical problems occurring in this equipment. Contact Generac Mobile Products Technical Service at 1-800-926-9768 for assistance if you have any questions, or if problems persist.



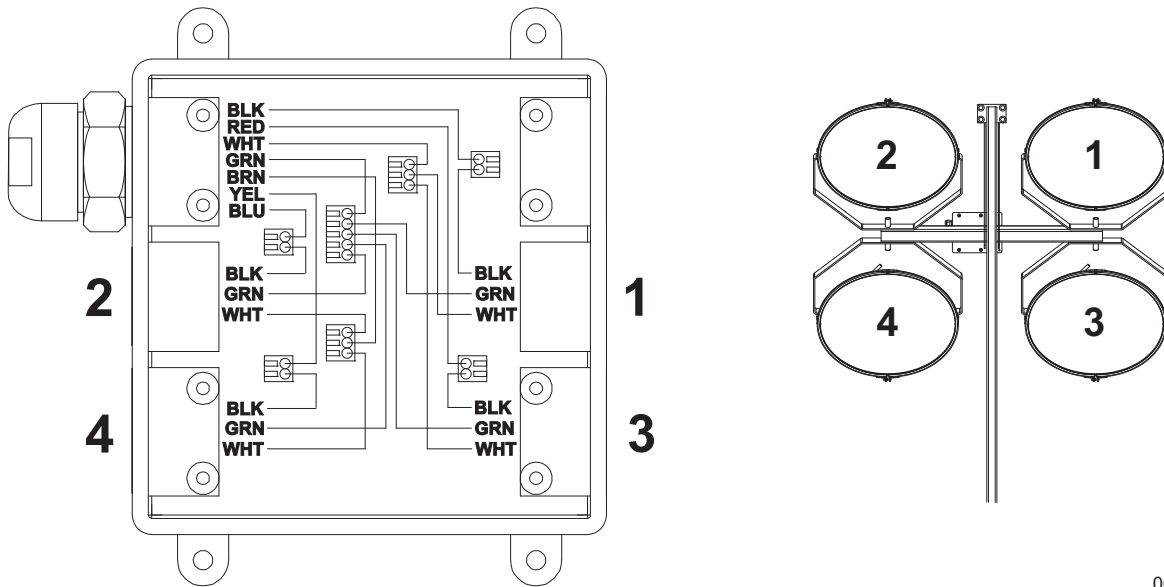
WARNING

Electrocution. Potentially lethal voltages are generated by this equipment. Render the equipment safe before attempting repairs or maintenance. Failure to do so could result in death or serious injury.
(000187)

Problem	Possible Cause	Solution
Mast Lights Off, but Ballast Indicators on Control Panel are On.	<ul style="list-style-type: none"> Light fixture is too hot. Faulty lamp connection. Lamp broken Loose lighting connections Damaged or loose electrical cord 	<ul style="list-style-type: none"> Allow light to cool 10-15 minutes before restarting. Check that the lamp is tight in the socket. Check for broken arc tube or outer lamp jacket, broken or loose components in lamp envelope, or blackening/deposits inside tube. Check the connections inside the mast junction box and each mast light housing/socket. Check the mast electrical cord for damage and check the cord connections inside the control box.
Mast Lights Off, and Ballast Indicators on the Control Panel are Off.	<ul style="list-style-type: none"> Loose lighting connections Generator output incorrect. Low transformer output. 	<ul style="list-style-type: none"> Check the connections inside the control box and inside each ballast box. Check the incoming voltage to the ballast by checking the available voltage on the GFCI receptacle. Incoming voltage should be 120V +/- 5V. If voltage is incorrect, the engine speed may need to be adjusted or generator may require service. The voltage from the transformer should read approximately 400VAC as the light "strikes" (induces an arc), then drop and slowly rise back up to stabilize at 240-260VAC. On hard wired models, remove the mast junction box cover and insert the wire probes into the connector blocks for the light and ground. If proper voltage is not achieved, perform capacitor check to determine if the capacitor or coil needs to be replaced.
Mast Lights On But the Light Output is Low	<ul style="list-style-type: none"> Fixture and/or lens is dirty. Lamp worn due to normal use Damaged or loose electrical connections Generator output incorrect. Low transformer output 	<ul style="list-style-type: none"> Clean reflective surface inside fixture and both inside and outside surface of glass lens. Use mild soap and water to clean lens. Other chemicals may have an adverse effect on the glass. Replace lamp. Check the mast coil cord, mast junction box and mast light connections. Check the incoming voltage to the ballast. Incoming voltage should be 120V +/-5V. If the voltage is incorrect, the engine speed may need to be adjusted or the generator may require service. The voltage from the transformer should read approximately 400VAC as the light "strikes" (induces an arc), then drop and slowly rise back up to stabilize at 240-260VAC. On hard wired models, remove the mast junction box cover and insert the wire probes into the connector blocks for the light and ground. If proper voltage is not achieved, perform capacitor check to determine if the capacitor or coil needs to be replaced.

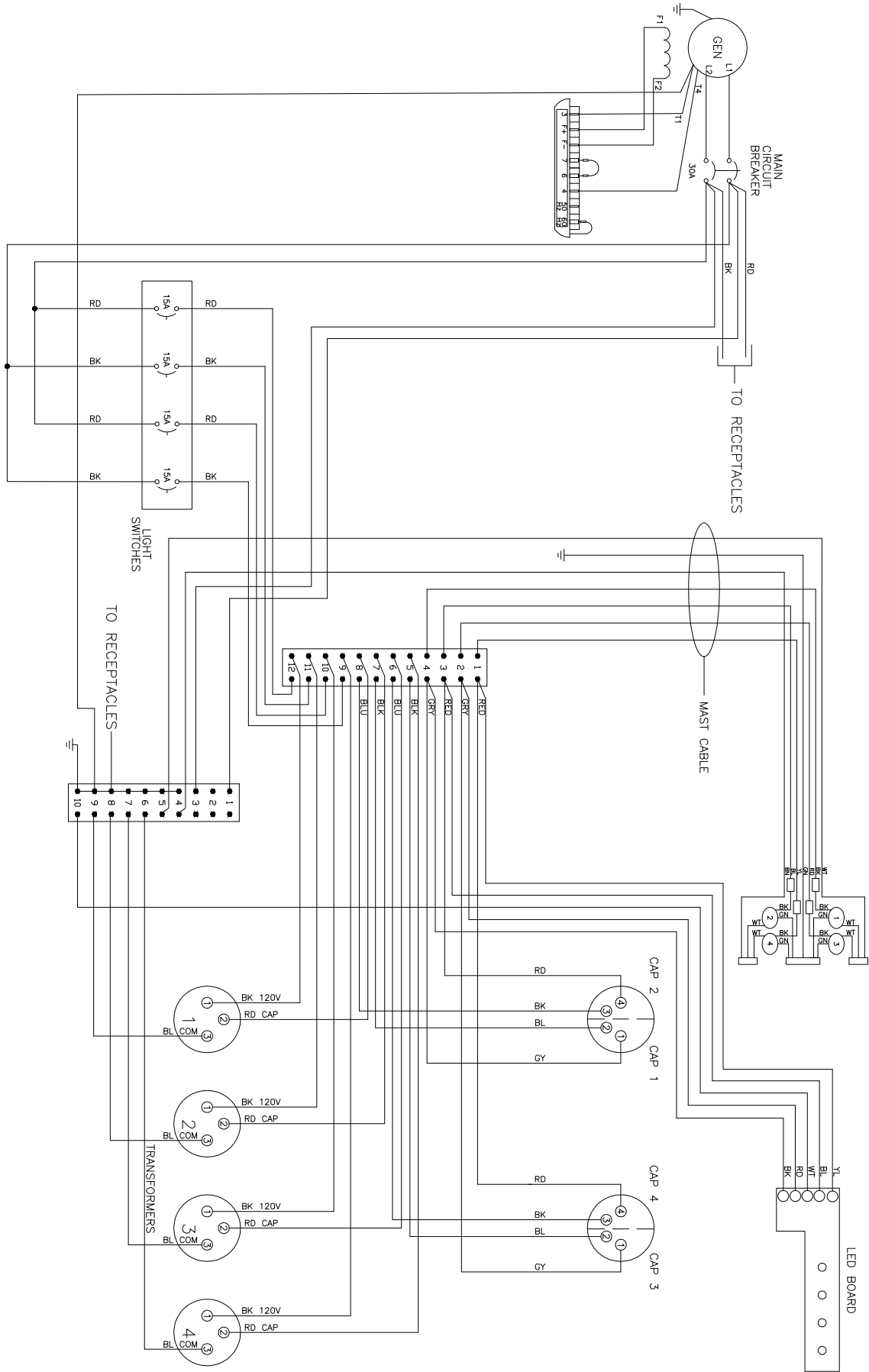
Section 6: Wiring Diagrams

Mast Junction Box Wiring and Light Connections

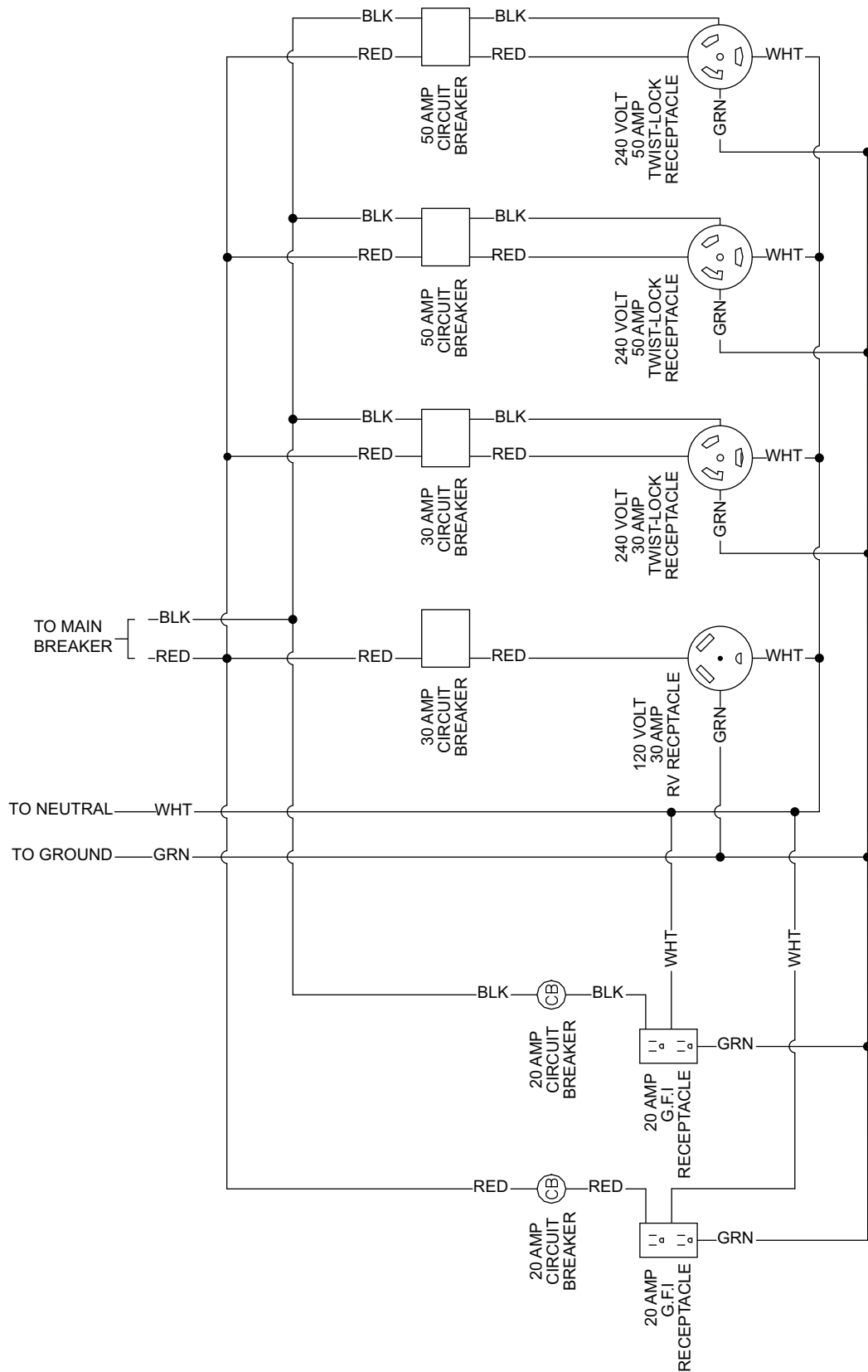


00768

AC Wiring Diagram



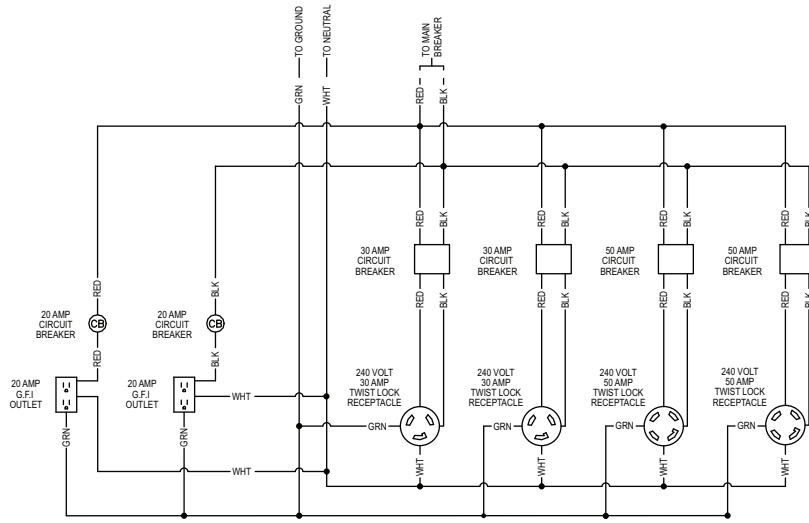
AC Wiring Diagram—Receptacle Panel



(2x5-20R, 1xTT-30, 1xL14-30R, 2x14-50)

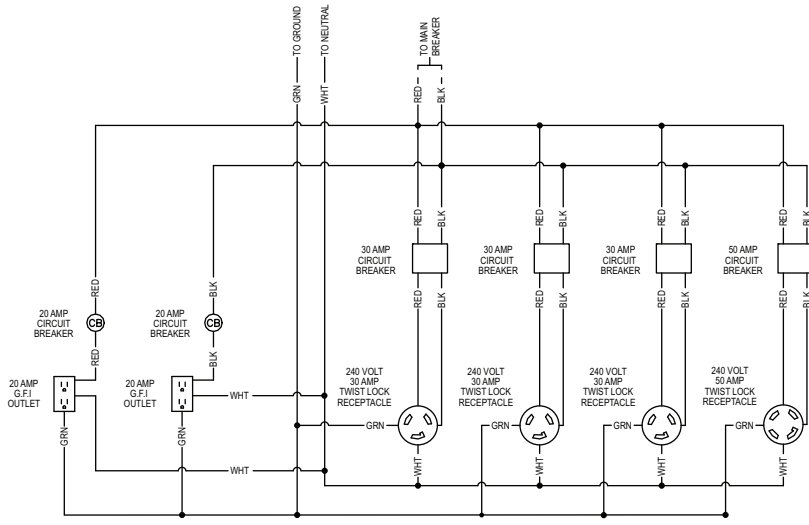
90317_ORG_07.06.11

AC Wiring Diagram—Receptacle Panel Options (1 of 2)



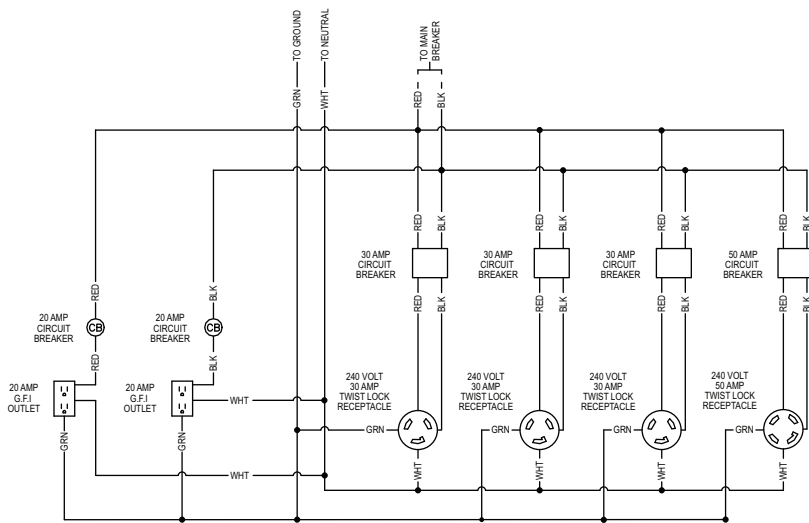
Receptacle Panel (2x5-20R, 2xL6-30R, 2xL14-50)

90315_ORG_10.14.11



Receptacle Panel (2x5-20R, 3xL6-30R, 1xL14-50)

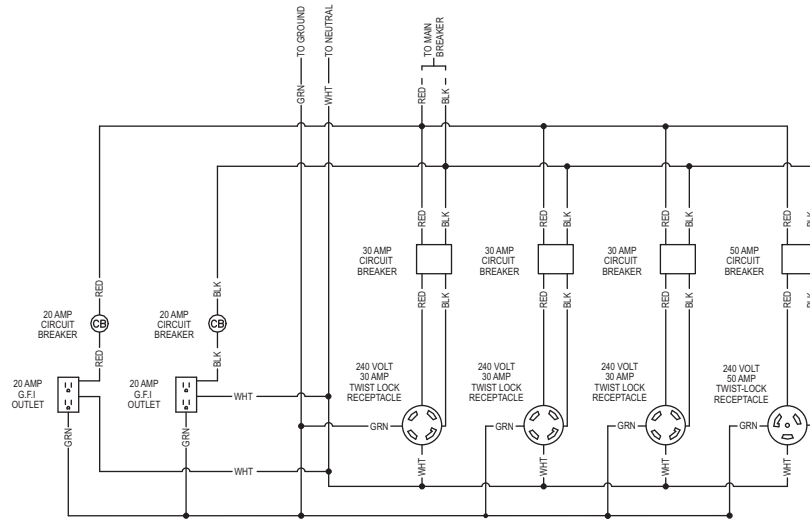
90318_ORG_07.06.11



Receptacle Panel (2x5-20R, 3xL6-30R, 1xL14-50)

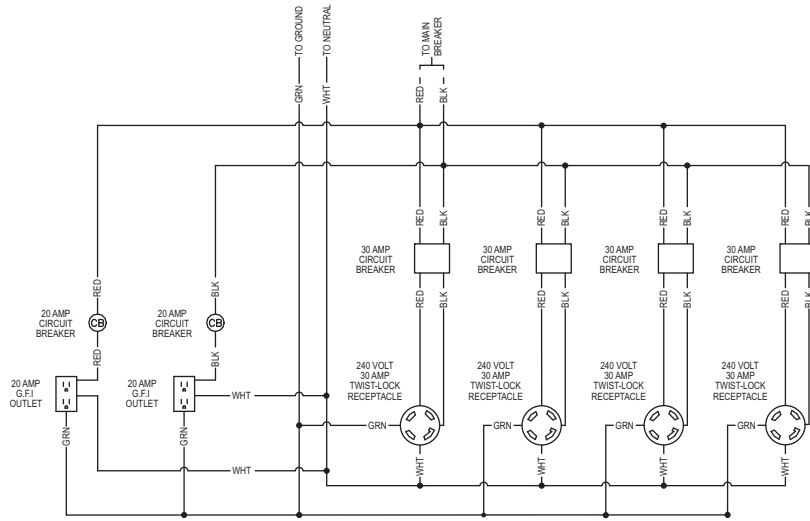
90318_ORG_07.06.11

AC Wiring Diagram—Receptacle Panel Options (2 of 2)



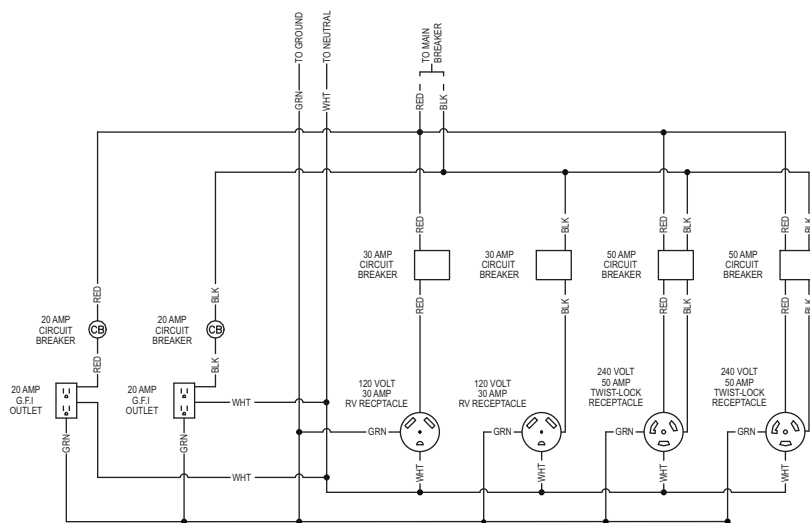
Receptacle Panel (2x5-20R, 3x14-30R, 1x50A)

90320_ORG_07.06.11



Receptacle Panel (2x5-20R, 4x14-30R)

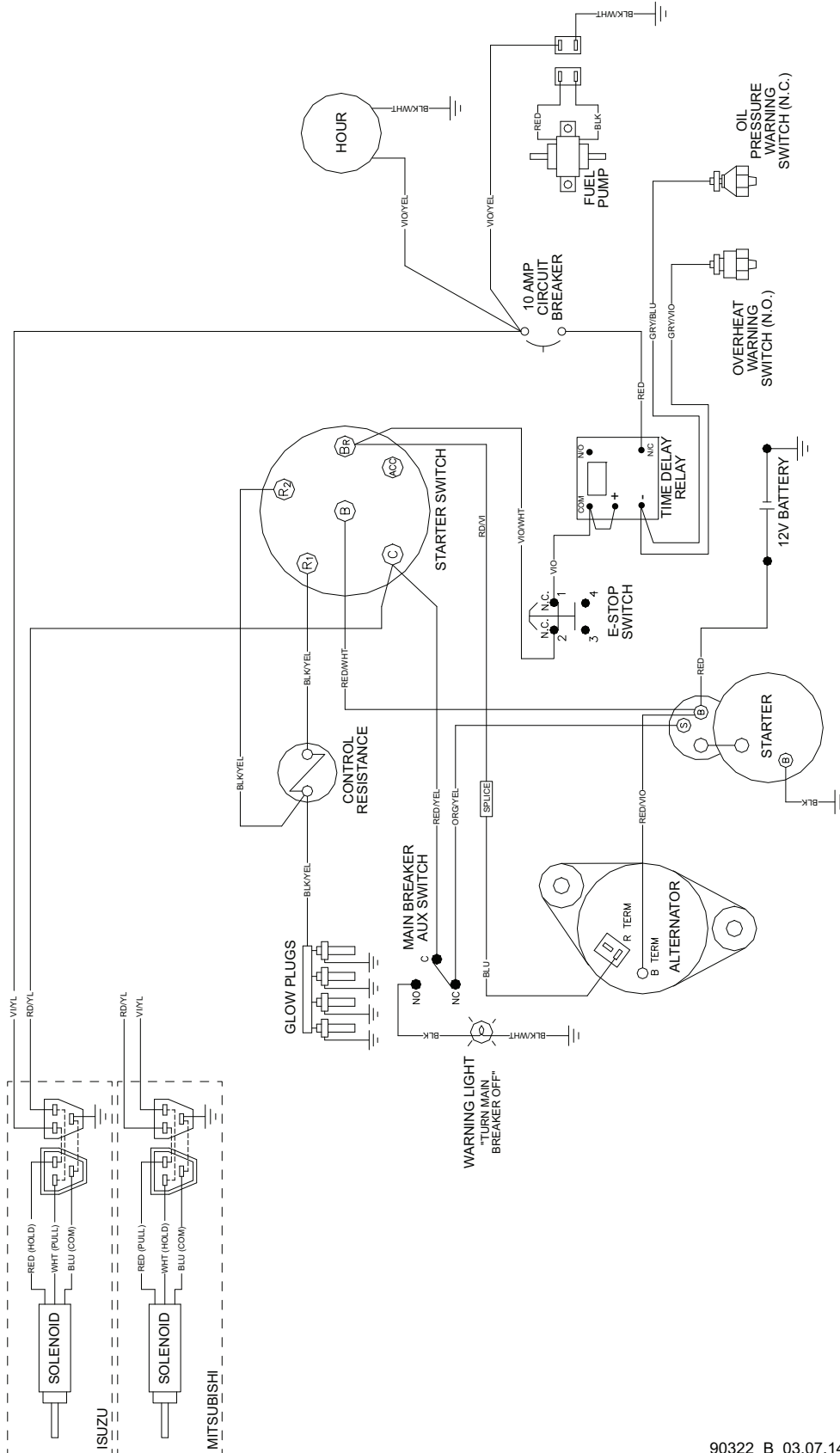
90321_ORG_07.06.11



Receptacle Panel (2x5-20R, 2xTT-30, 2x14-50)

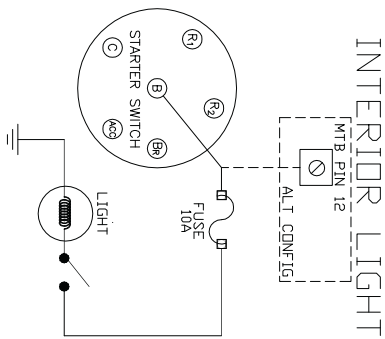
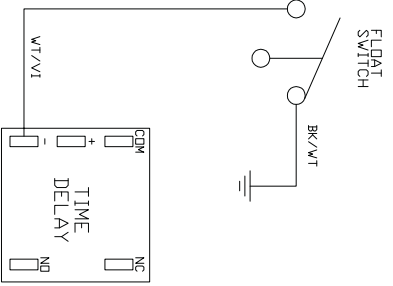
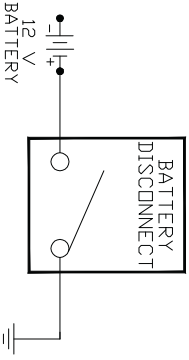
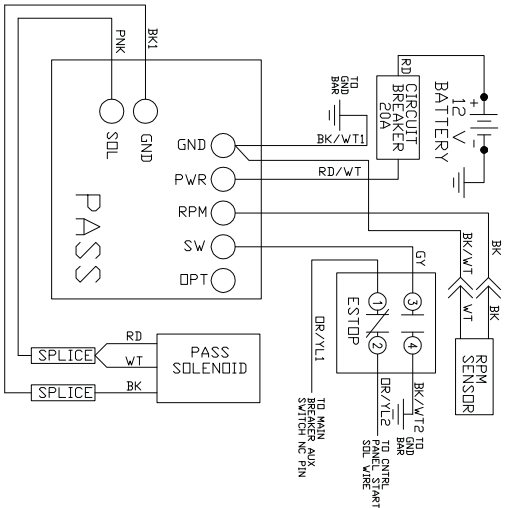
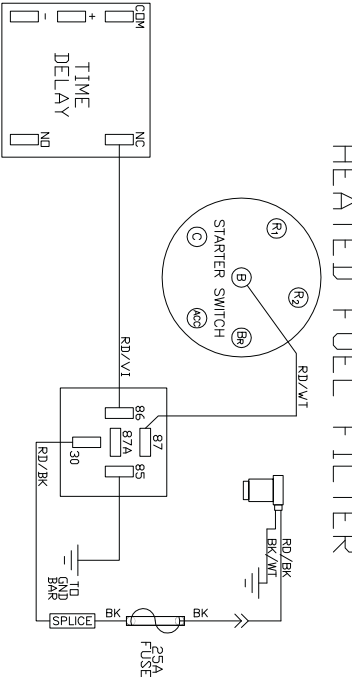
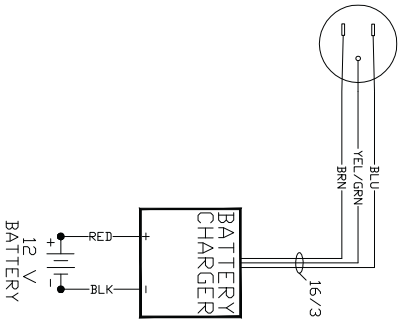
90355_ORG_07.06.11

DC Wiring Diagram

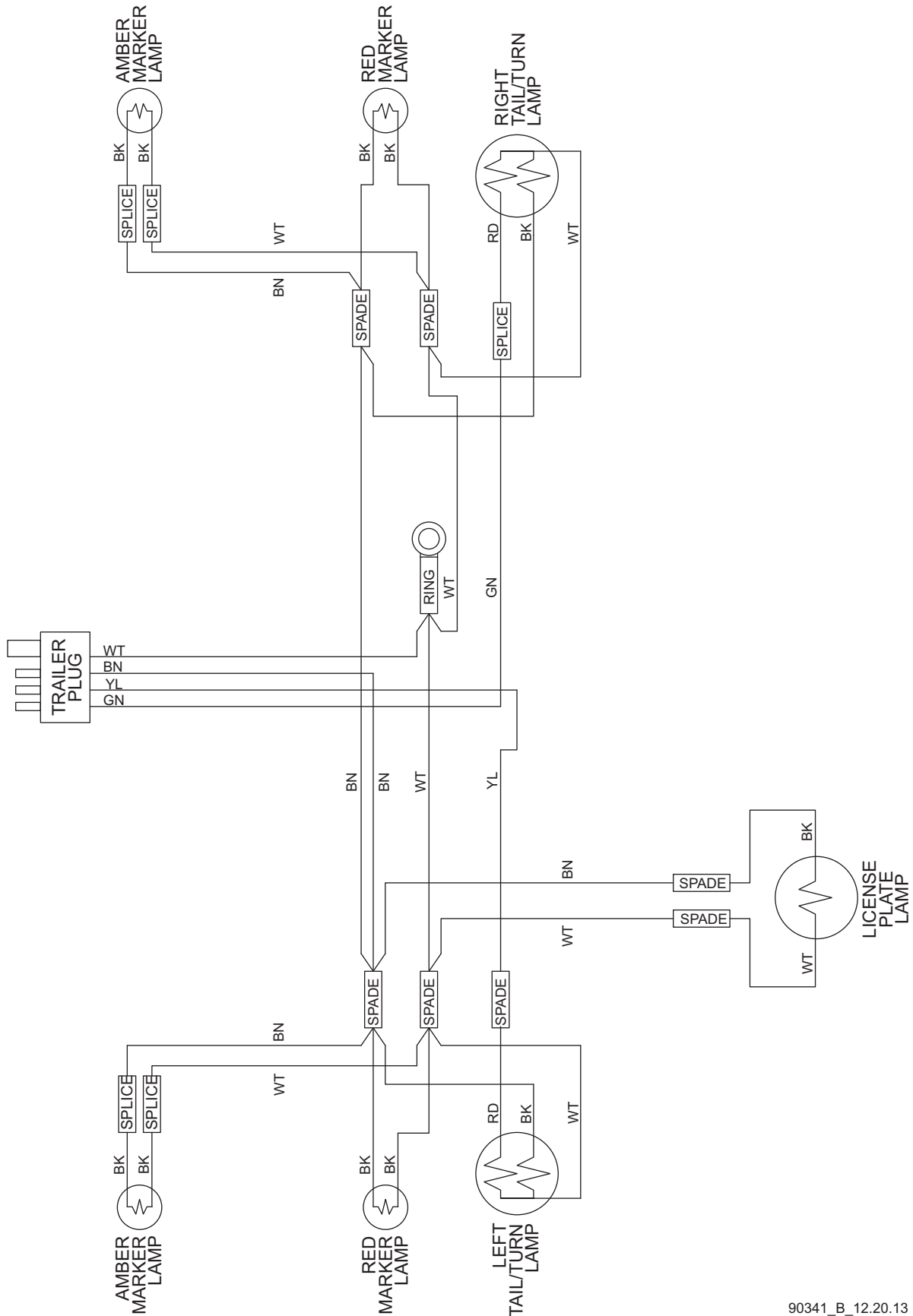


90322_B_03.07.14

DC Wiring Diagram—Optional Equipment

<p>INTERIOR LIGHT</p> 	<p>LOW FUEL SHUTDOWN</p> 
<p>BATTERY DISCONNECT</p> 	<p>POSITIVE AIR SHUTDOWN 6-20kW</p> 
<p>HEATED FUEL FILTER</p> 	<p>BATTERY CHARGER</p> <p>EDISON PLUG</p> 

Trailer Lights Wiring



90341_B_12.20.13

Section 7: Service Log

OIL GRADE: _____ BRAND: _____

COOLANT MIXTURE: _____ BRAND: _____

Date	Hours to Service	Oil Level	Coolant Level

Date	Hours to Service	Oil Level	Coolant Level

Part No. 12685 Rev. N 01/31/19
©2019 Generac Mobile Products, LLC
All rights reserved.

Specifications are subject to change without notice.
No reproduction allowed in any form without prior written
consent from Generac Mobile Products, LLC.

GENERAC | **MOBILE**

Generac Mobile Products, LLC
215 Power Drive, Berlin, WI 54923
GeneracMobileProducts.com | 800-926-9768 | 920-361-4442