

ENGINE SYSTEM

- Perkins® 120AF-E44TTA
- Diesel fueled
- EPA Final Tier 4
- 4 cylinder
- Series turbocharged
- 4.4 L (268.5 in³) displacement
- Power @ 2,200 rpm: 140.8 hp (105 kW)
- 110% containment

Fuel System

- Fuel tank capacity—gal (L):
 - Total: 200 (757.1)
 - Usable: 176 (654.9)
- Fuel consumption rate: 7.9 gph (29.9 Lph)
- Maximum run time: 26 hr
- Fuel filter: Spin-on
- DEF tank capacity—gal (L):
 - Total: 10 (38)
 - Usable: 8 (30)
- DEF consumption rate: 0.312 gph (1.18 Lph)

Cooling System

- Liquid cooled
- Capable of operating at -40 to 100 °F (-40 to 37.8 °C) ambient—not considering derate factors
- Coolant capacity: 10.3 qt (9.75 L)

Lubrication System

- Oil filter: Spin-on
- 500-hr service interval**

**Data based on engine manufacturer and field test data after 100-hr engine break-in period. Actual results may vary, according to factors such as age and maintenance of equipment, environmental conditions, and fuel density. For fuel and maintenance recommendations, see owner's manual.*

***For maximum service interval, replace oil filter after 50-hr break-in period. For oil filter model number, see owner's manual.*

HEATER

- Type: Flameless, self-contained
- Heat produced: Up to 865,000 BTU/hr (253.5 kW/hr)
- Temperature range: 120–180 °F (48.9–82.2 °C)
- Air flow: 3,500–5,000 ft³/min (99.1–141.6 m³/min)
- Air ducts: Two 12 in (30.5 cm) diameter
- Efficiency: 85%
- Heat transfer fluid (HTF):
 - Tank capacity: 14 gal (53 L)
 - System capacity: 20.6 gal (77.9 L)
 - Hydraulic oil type: Mobile DTE10 ISO VG68



Picture shown may not reflect actual configuration.

HYDRAULIC LOOP

- Pump: Rexroth 100 cc variable displacement piston pump
- Two 10-micron hydraulic oil filters

SAFETY

- Emergency stop switch
- Positive air shutdown
- Self-contained
- Automatic shutdown for high hydraulic oil temperature, high hydraulic oil pressure, engine overspeed, low engine oil, low fuel, and low hydraulic oil

ENCLOSURE

- Material: Aluminum with powder coat
- Fully lockable – including control box door, service access doors, fuel fill, and DEF fill
- Rear storage for two 12-in×50-ft air ducts
- Multi-lingual operating and safety decals
- Document holder with owner's manual – includes DC wiring diagrams

TRAILER

- 2-5/16 in ball hitch—adjustable height
- Lift jack
- Electric brakes
- Transportation tie downs
- Forklift tubes
- DOT approved lights: Tail, brakes, and directionals
- One 8,000 lb (3,638.7 kg) axle
- Tires: 16 in (40.6 cm)

CONTROLS

- Wachendorf® controller and display
- TFT color graphic LCD display with LED backlight
- Operating temperature range: -22 to 149 °F (-30 to 65 °C)

BATTERIES

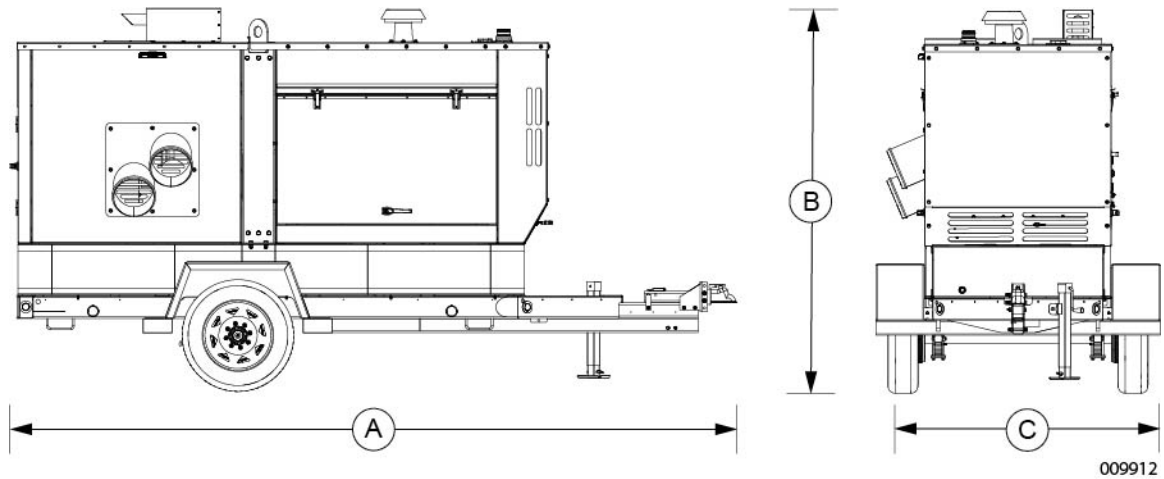
- • Two 12 V, 950 CCA, wet cell batteries

OPTIONS*

- Block heater
- Fire extinguisher
- Hitch
- Spare tire and carrier
- Duct outlet diameter
- Heated fuel filter
- 60/40 coolant
- Rear stabilizer jacks

**Additional options may be available. Contact a sales representative or the factory for current options.*

DIMENSIONS



| A | B | C |
|--------------------|------------------|-------------------|
| 192.25 in (4.88 m) | 76.5 in (1.94 m) | 94.25 in (2.39 m) |

WEIGHT

- Dry: 6,590 lb (2,992 kg)
- Operating: 7,735 lb (3,512 kg)

WARRANTY

1 year, unlimited hours

CODES AND STANDARDS

Generac Mobile products are designed to the following standards:



TIER 4 FINAL
EMISSIONS



CSA



NATM



TRANSPORT CANADA

FOR MORE INFORMATION

Owner's manual is available at www.generacmobileproducts.com/service-support/manuals.