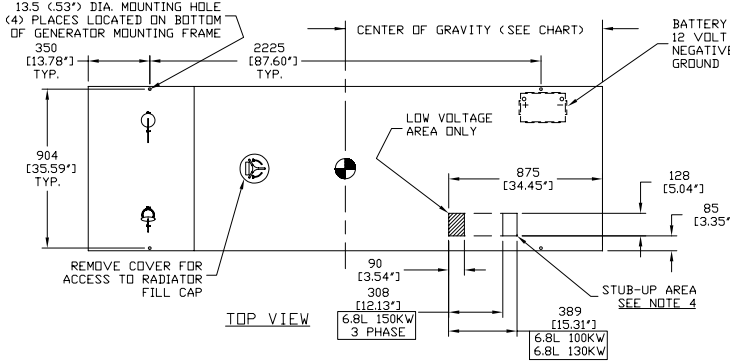


0H4105

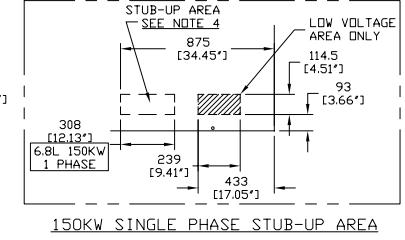
WEIGHT DATA				
ENGINE/KW	ENCLOSURE MATERIAL	WEIGHT (GENSET ONLY) KG (LBS)	WEIGHT (WOODEN SHIPPING CRATE/SKID) KG (LBS)	SHIPPING WEIGHT (SKID AND GENSET) KG (LBS)
6.8L 100KW	STEEL	1227 (2705)	79 (175)	1306 (2880)
	ALUMINUM	1148 (2531)	79 (175)	1227 (2706)
6.8L 130KW	STEEL	1287 (2837)	79 (175)	1366 (3012)
	ALUMINUM	1224 (2699)	79 (175)	1304 (2874)
6.8L 150KW	STEEL	1209 (2666)	79 (175)	1289 (2841)
	ALUMINUM	1130 (2492)	79 (175)	1210 (2667)

**NOTES:**

- MINIMUM RECOMMENDED CONCRETE PAD SIZE: 1240(48.8') WIDE X 3230 (127.2') LONG. REFERENCE INSTALLATION GUIDE SUPPLIED WITH UNIT FOR CONCRETE PAD GUIDELINES.
- ALLOW SUFFICIENT ROOM ON ALL SIDES OF THE GENERATOR FOR MAINTENANCE AND SERVICING. THIS UNIT MUST BE INSTALLED IN ACCORDANCE WITH CURRENT APPLICABLE NFPA 37 AND NFPA 70 STANDARDS AS WELL AS ANY OTHER FEDERAL, STATE AND LOCAL CODES FOR MINIMUM DISTANCES FROM OTHER STRUCTURES.
- CIRCUIT BREAKER INFORMATION:**  
SEE SPECIFICATION SHEET WITHIN OWNERS MANUAL.
- INSIDE STUB-UP AREA FOR AC LOAD LEAD CONDUIT CONNECTION, NEUTRAL CONNECTION, BATTERY CHARGER 120 VOLT AC (<5 AMP MAX.) CONNECTION, AND ACCESS TO TRANSFER SWITCH CONTROL WIRES. REMOVE FRONT COVER FOR ACCESS.
- FIELD CUT HOLE IS ONLY REQUIRED FOR MOUNTING OF GENERATOR ON AN EXISTING PAD.
- REFERENCE OWNERS MANUAL FOR LIFTING WARNINGS.
- REMOVE EITHER LEFT OR RIGHT HAND SIDE PANEL TO ACCESS EXHAUST MUFFLERS AND FAN BELT.

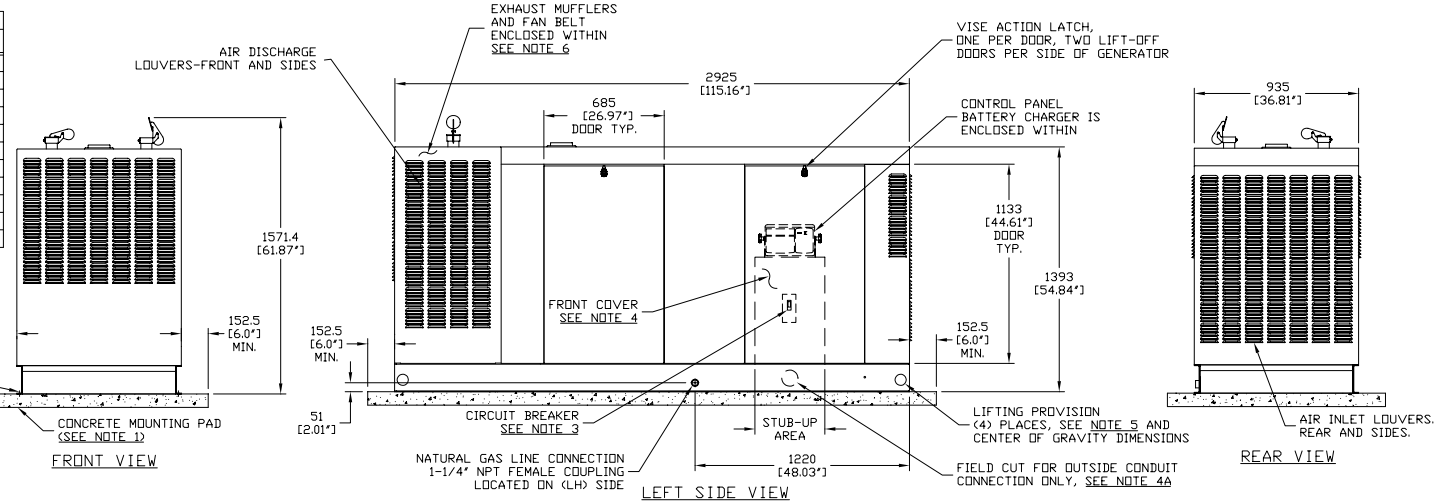


CENTER OF GRAVITY	
1275 (50.2')	- 100KW 6.8L
1230 (48.4')	- 130KW 6.8L
1315 (51.8')	- 150KW 6.8L



SERVICE ITEM	ACCESS		
	100KW 6.8L	130KW 6.8L	150KW 6.8L
OIL FILL CAP	THRU RIGHT FRONT DOOR		
OIL DIP STICK	THRU LEFT FRONT DOOR		
OIL FILTER	THRU LEFT FRONT DOOR		
OIL DRAIN HOSE	THRU RIGHT FRONT DOOR		
RADIATOR DRAIN HOSE	THRU LEFT FRONT DOOR		
AIR CLEANER ELEMENT	EITHER FRONT DOORS		
SPARK PLUGS	BOTH FRONT DOORS		
MUFFLERS	SEE NOTE 6		
FAN BELT	SEE NOTE 6		
BATTERY	THRU RIGHT REAR DOOR		
*GEARBOX FILL & DRAIN	THRU RIGHT REAR DOOR		

\*NOTE: EXCLUDING 6.8L 150KW UNITS  
REFERENCE OWNERS MANUAL FOR PERIODIC REPLACEMENT PART LISTINGS



GENERAC POWER SYSTEMS OWNS THE COPYRIGHT OF THIS DRAWING WHICH IS SUPPLIED IN CONFIDENCE AND MUST NOT BE USED FOR ANY PURPOSE OTHER THAN FOR WHICH IT IS SUPPLIED WITHOUT THE EXPRESS WRITTEN CONSENT OF GENERAC POWER SYSTEMS.

© GENERAC POWER SYSTEMS 2001

QT100, QT130 & QT150		<b>GENERAC POWER SYSTEMS</b> Waukesha P.O. BOX 8 WAUKESHA, WIS. 53187	
EPA CERT 6.8L(100, 130 & 150KW)	FILE NAME	0H4105-B.DWG	SIZE B
ENCLOSURE - C5	SCALE	1 = 25	FIRST USE QT SERIES
ISSUE DATE 5/22/09	DWG NO.	0H4105	REV B

INSTALLATION DRAWING