

ELECTRICAL INLET / OUTLET

- One 120 V, 15 A power inlet (NEMA 5-15R)
- One 120 V, 20 A power inlet (NEMA L5-20P)
- One 120 V, 20 A, GFCI duplex outlet (NEMA 5-20R)

ELECTRICAL CONTROLS

- 15A / 20A power distribution switch
- 15A / 20A main breaker
- 5A Individual Light Switches

FLOODLIGHTS

- Four 240 W LED fixtures
 - Lm/fixture: 34,800
 - Total lm: 139,200
 - Efficiency: 130 lpw
- Coverage at 0.5 ft-c: 15,770 ft² (1,465 m²)
- IP68 LED modules (50,000 hour life expectancy)
- Aluminum and polymer housing
- Cabinet-mounted drivers
- Individually adjustable light fixtures
- 48 V mast cord and fixture

MAST

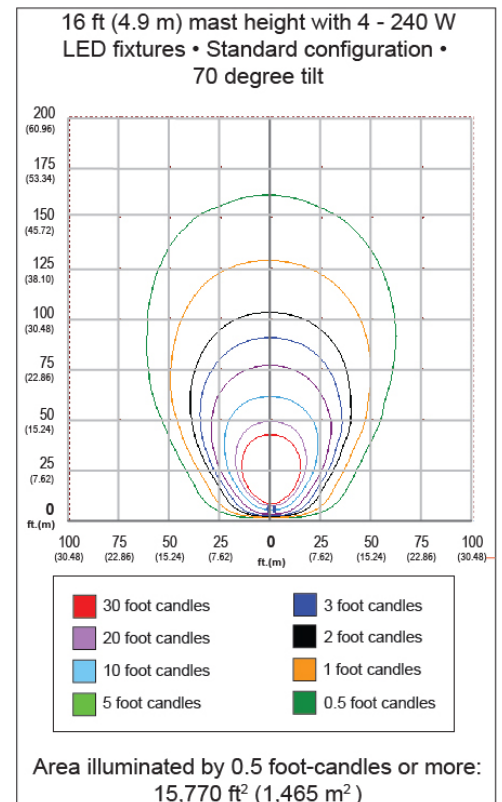
- Vertical operation and storage
- Four galvanized steel sections
- Winch: Dual-handle, manual crank
- Fixtures adjustable from ground
- Self-retracting, coiled mast cord
- Equipped with single lifting eye
- 45 mph (72 km/h) wind rating

CHASSIS

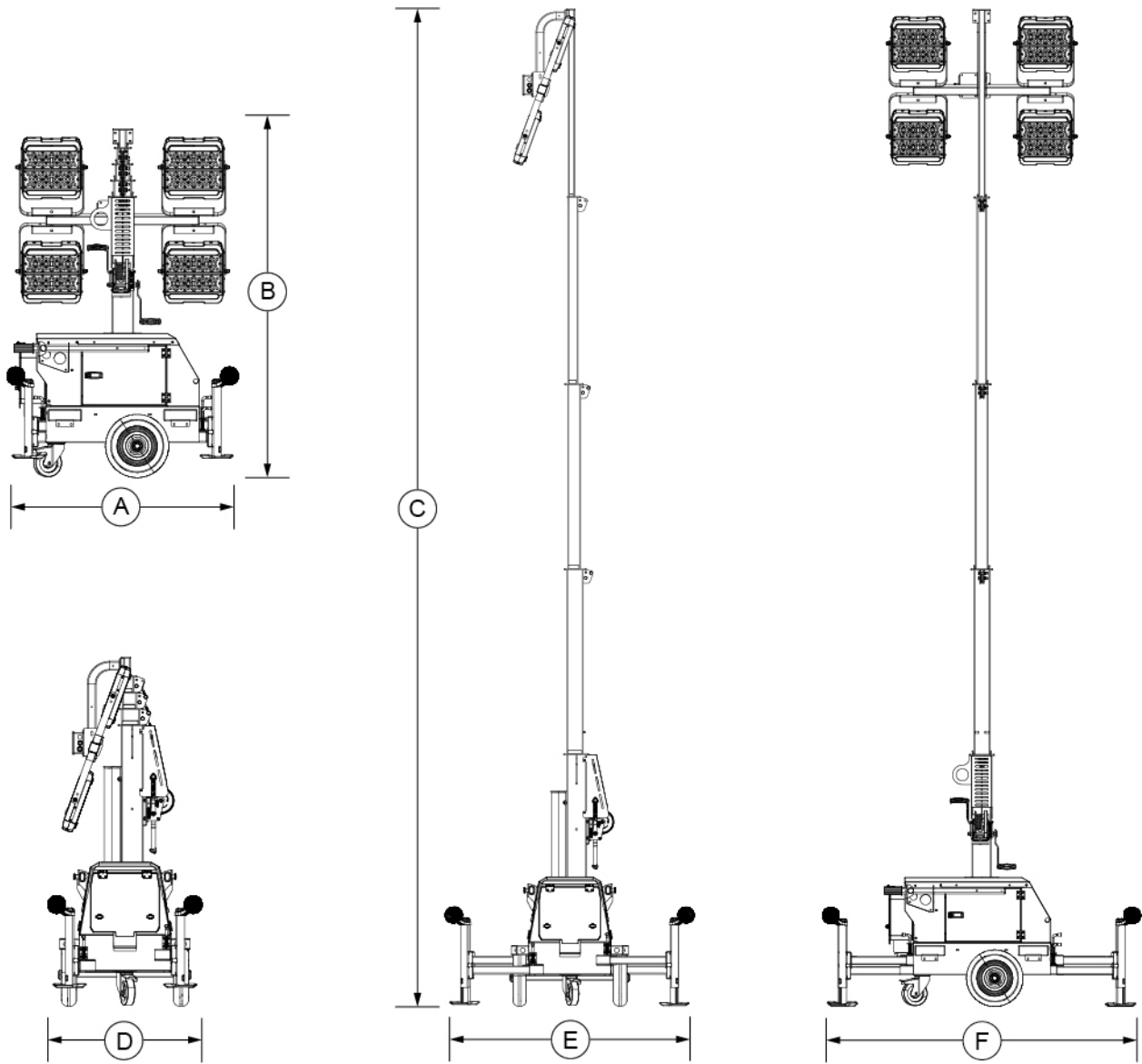
- Steel frame with galvanized fork pockets
- Four 1,200 lb (544 kg) leveling jacks
- Galvanized side outriggers lock in position for storage
- 3.5x8 in (89x203 mm) rubber tires
- 24 in (61 cm) track width
- 6 in (152 mm) caster wheel with brake



Picture shown may not reflect actual configuration.



DIMENSIONS



A	B	C	D	E	F
48.5 in (1.23 m)	77.5 in (1.96 m)	16 ft (4.88 m)	31.5 in (0.80 m)	57 in (1.45 m)	74 in (1.88 m)

WEIGHT

- Operating weight: 558 lb (252.6 kg)

WARRANTY

- Tower: 2 years/2,000 hours
- LED modules and drivers: 5 year limited