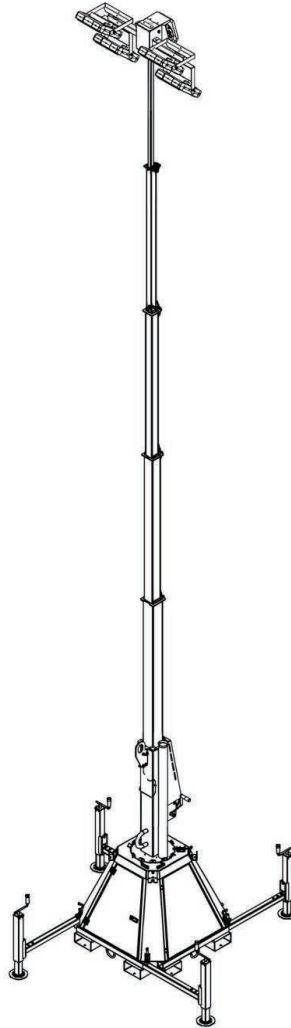


CTF-10

Light Tower Parts Manual



03007

MODEL NUMBER: _____

SERIAL NUMBER: _____

DATE PURCHASED: _____

SAVE THIS MANUAL FOR FUTURE REFERENCE

 **WARNING**

CANCER AND REPRODUCTIVE HARM

www.P65Warnings.ca.gov

(000393a)

 **WARNING**

Breathing diesel engine exhaust exposes you to chemicals known to the State of California to cause cancer and birth defects or other reproductive harm.

- Always start and operate the engine in a well-ventilated area.
- If in an enclosed area, vent the exhaust to the outside.
- Do not modify or tamper with the exhaust system.
- Do not idle the engine except as necessary.

For more information go to

www.P65Warnings.ca.gov/diesel

(000394)

Introduction

This parts manual was prepared based on the information available at the time of publication and is subject to change without notice. Generac Mobile Products reserves the right to change parts at any time. To check whether a revised parts manual is available, contact Generac Mobile Products.

DO NOT MODIFY or use this equipment for any application other than which it was designed for. To keep your equipment fully operational, it is suggested you maintain a stock of commonly used maintenance or service parts. A recommended spare parts list can be found in the back of this manual. To order service parts, please go to www.generacmobileproducts.com or call Generac Mobile Products.



WARNING

Consult Manual. Read and understand manual completely before using product. Failure to completely understand manual and product could result in death or serious injury. (000100a)

WARNING

Environmental Hazard. Always recycle batteries at an official recycling center in accordance with all local laws and regulations. Failure to do so could result in environmental damage, death, or serious injury. (000228)

GENERAC MOBILE PRODUCTS LLC

215 Power Drive • Berlin, WI 54923 U.S.A.

Phone: 920-361-4442

FAX: 920-361-4416

Toll Free: 1-800-926-9768

www.generacmobileproducts.com

For technical or parts QUESTIONS, contact Generac Mobile Products Technical Service at 1-800-926-9768.

Engine Make: _____

Engine Serial Number: _____

Engine Model Number: _____

This Page Intentionally Left Blank

Table of Contents

Introduction	iii
Parts Manual Instructions	1
Unit Decals	2
Unit Decals	4
Unit Decals	6
Standard Command Panel	8
Base	10
Telescopic Mast.....	12
Floodlight Group	14

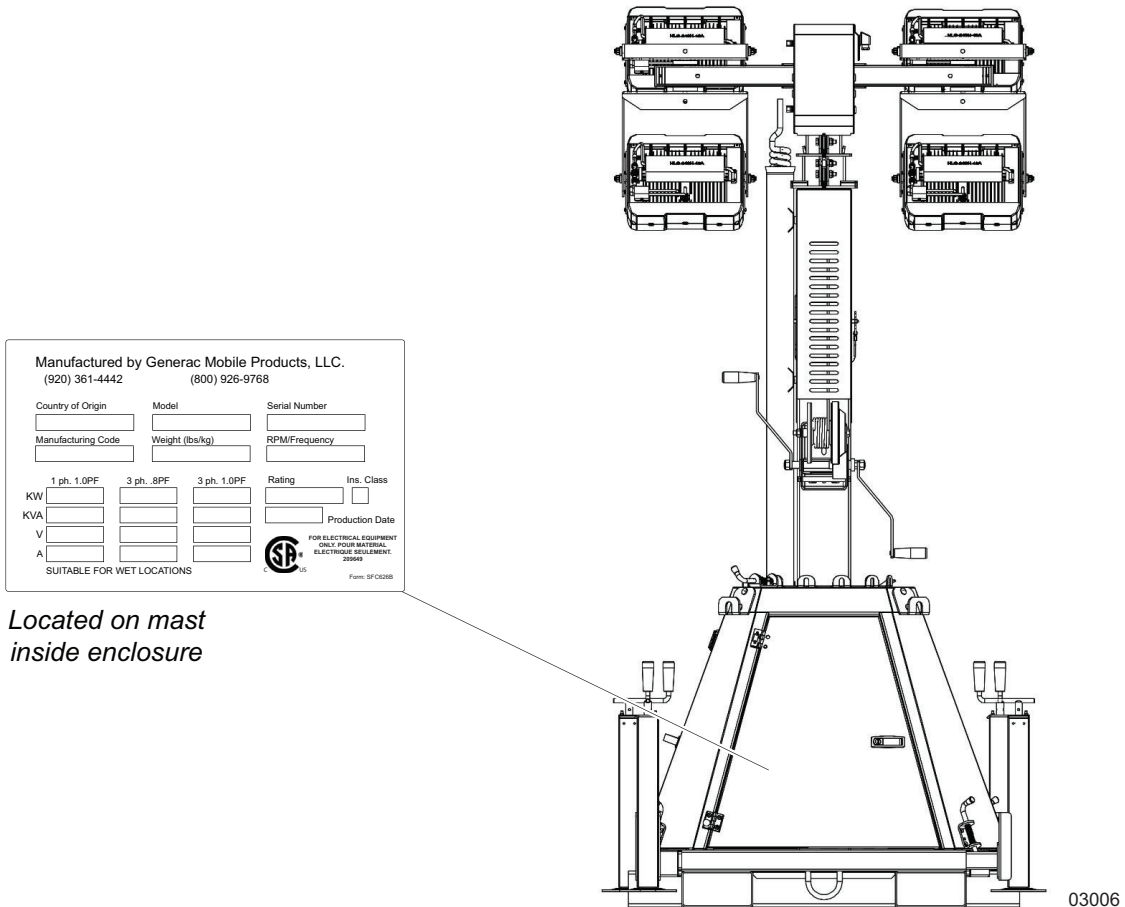
This Page Intentionally Left Blank

Parts Manual Instructions

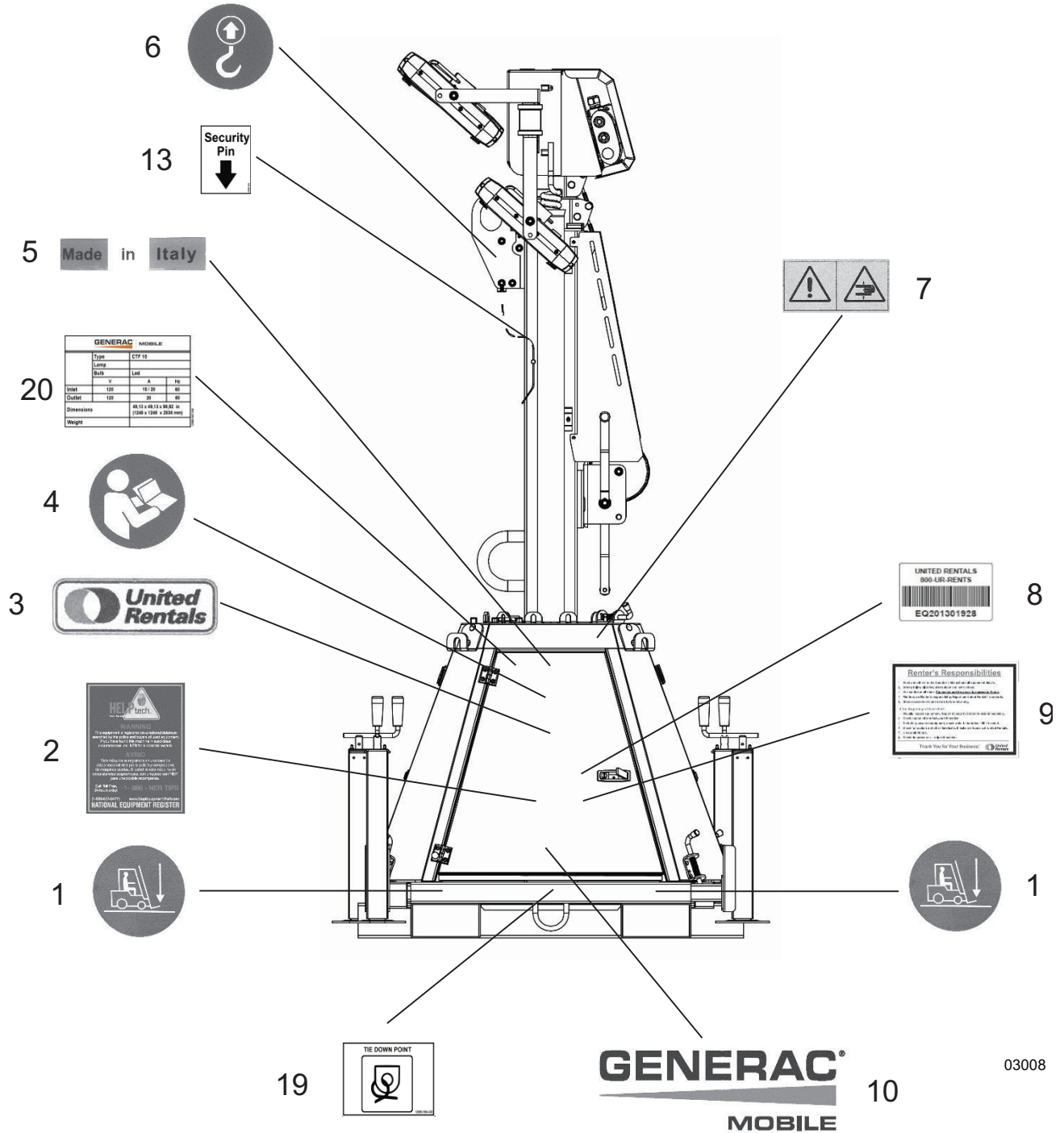
Product illustrations are only representations. Products supplied may vary from the illustrations in this parts manual. Parts not shown in the illustration are indicated by a double dash (--) in the item column.

Please be prepared to provide the following information when ordering replacement parts: model number, serial number (on unit serial tag), part number, purchase order number (if applicable), shipping address, shipping method.

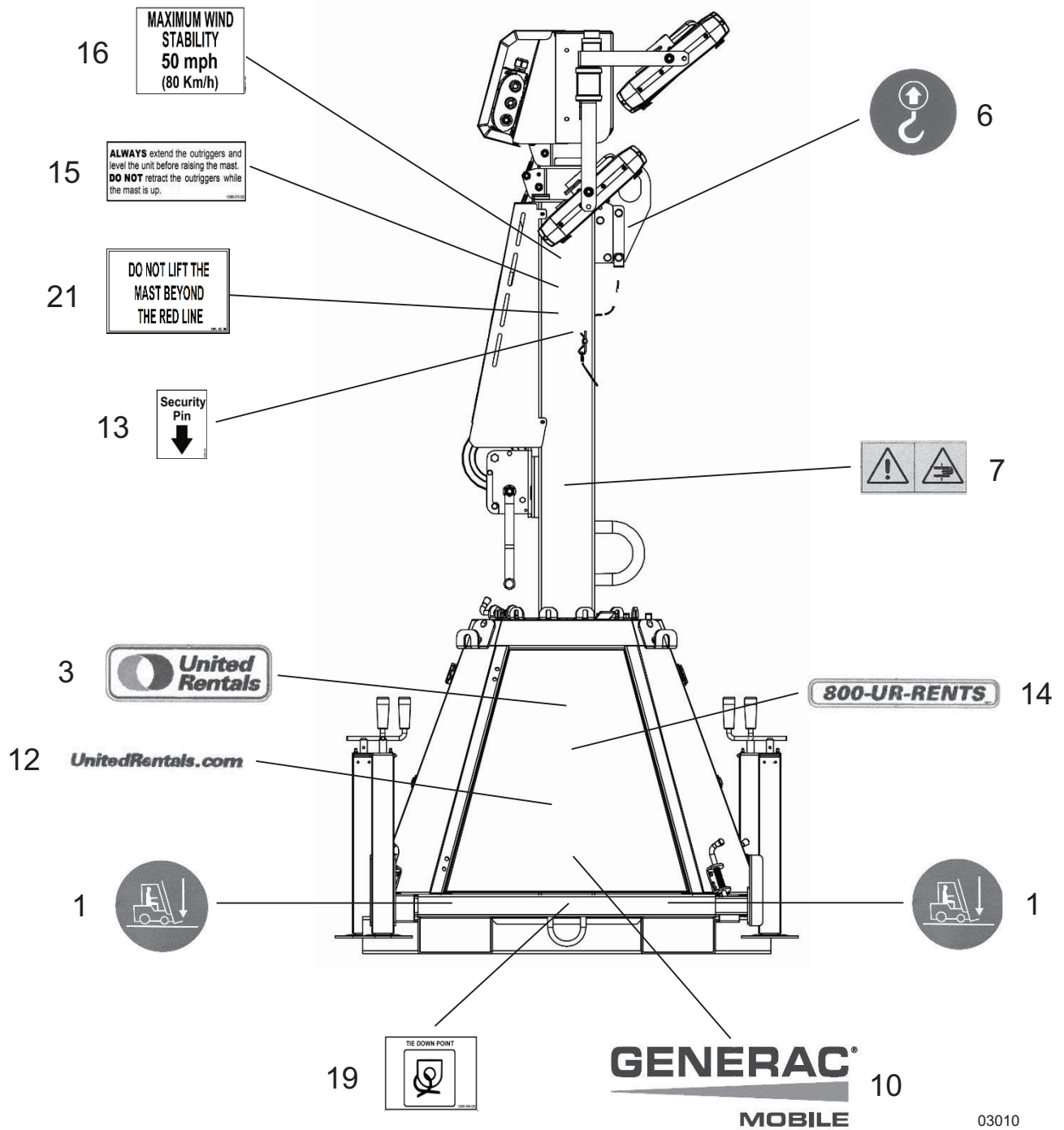
Refer to the illustration below to locate the unit ID tag on the unit. Important information, such as the unit serial number, model number, and tire loading information are found on these tags. Record the information from these tags so it is available if the tags are lost or damaged. When ordering parts or requesting assistance, you may be asked to provide this information.

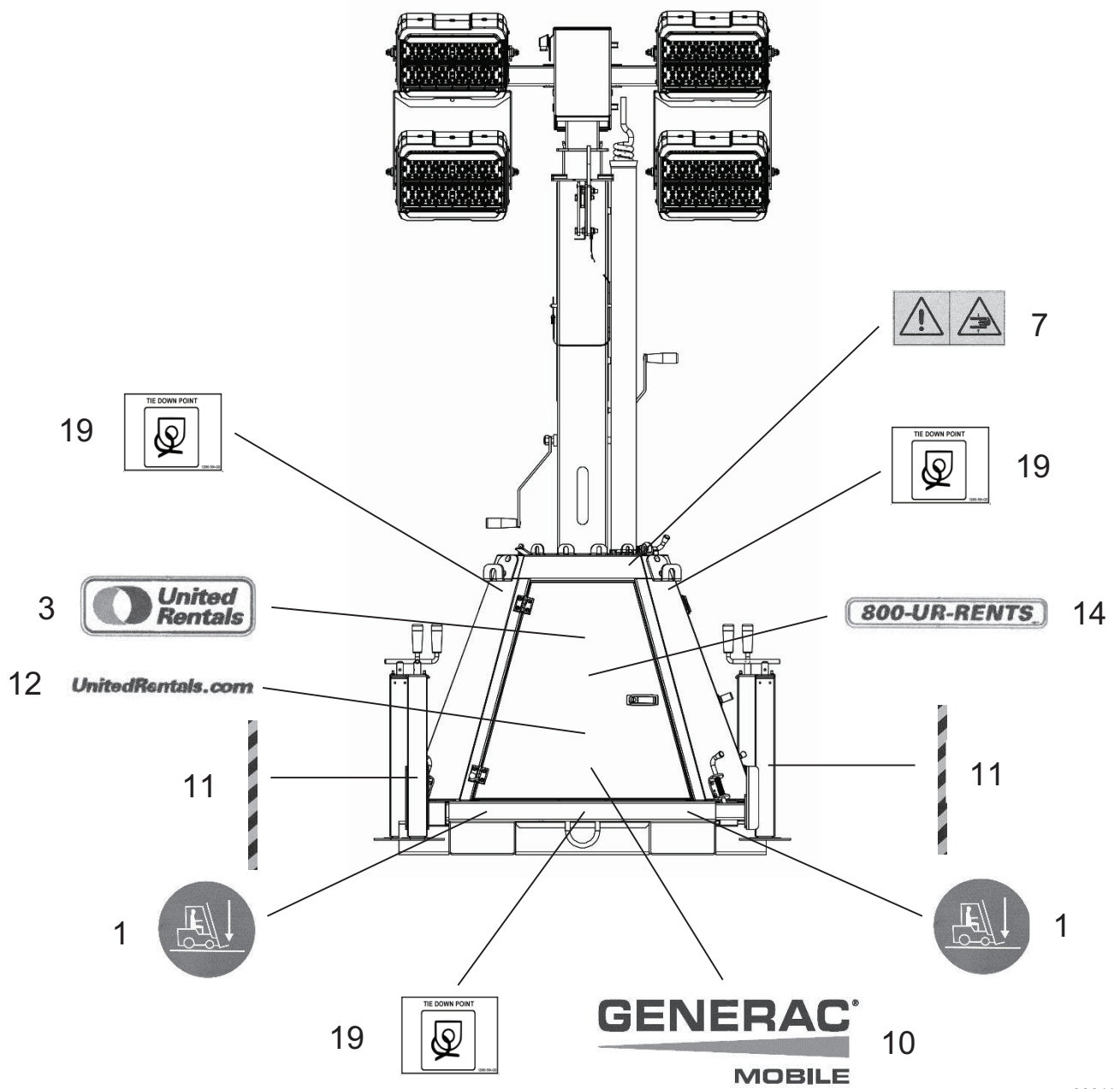


UNIT DECALS

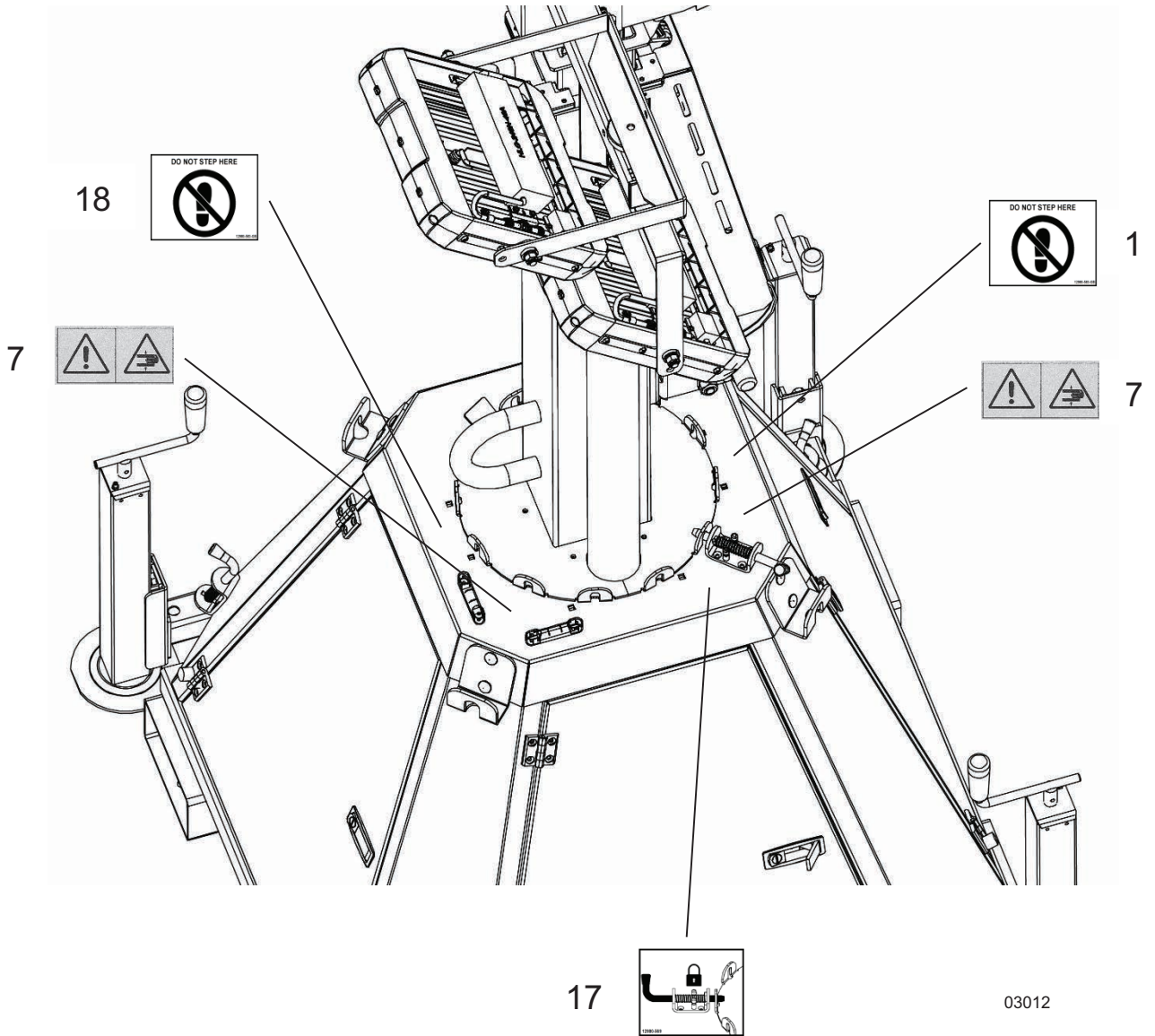


UNIT DECALS





03011

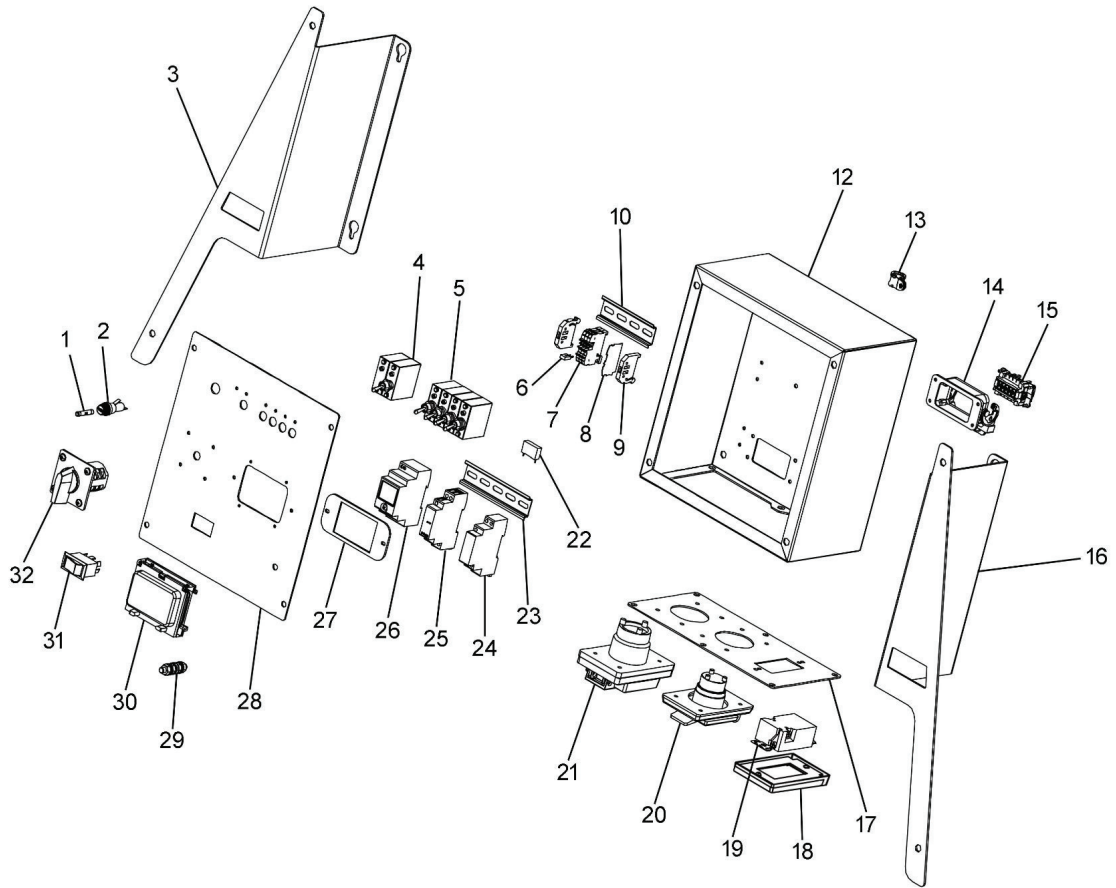


UNIT DECALS

Item	Part No.	Qty	Description	Notes
1	-	8	Decal, Forklift pockets	Special order
2	-	1	Decal, Help tech	Special order
3	-	4	Decal, United Rental Llogo	Special order
4	-	4	Decal, Read the manual	Special order
5	-	1	Decal, made in Italy	Special order
6	-	2	Decal, Lifting point	Special order
7	-	2	Decal, Warning, pinch points	Special order
8	-	1	Decal, Bar code - UR	Special order
9	-	1	Decal, Renters responsibilities	Special order
10	-	4	Decal, Generac Mobile logo	Special order
11	-	4	Decal, Warning - Extracted stabilizers	Special order
12	-	4	Decal, UnitedRentals.com	Special order
13	-	1	Decal, Security pin	Special order
14	-	4	Decal, 800-UR-RENTS	Special order
15	-	4	Decal, Outtrigger warning	Special order
16	-	4	Decal, Maximum wind stability	Special order
17	-	1	Decal, Mast rotation stopping point	Special order
18	-	4	Decal, No step	Special order
19	-	4	Decal, Tie down point	Special order
20	-	1	Unit ID tag	Special order

Note: (1) Always specify the serial number of machine, logic must be set according to the configuration of the machine.

STANDARD COMMAND PANEL



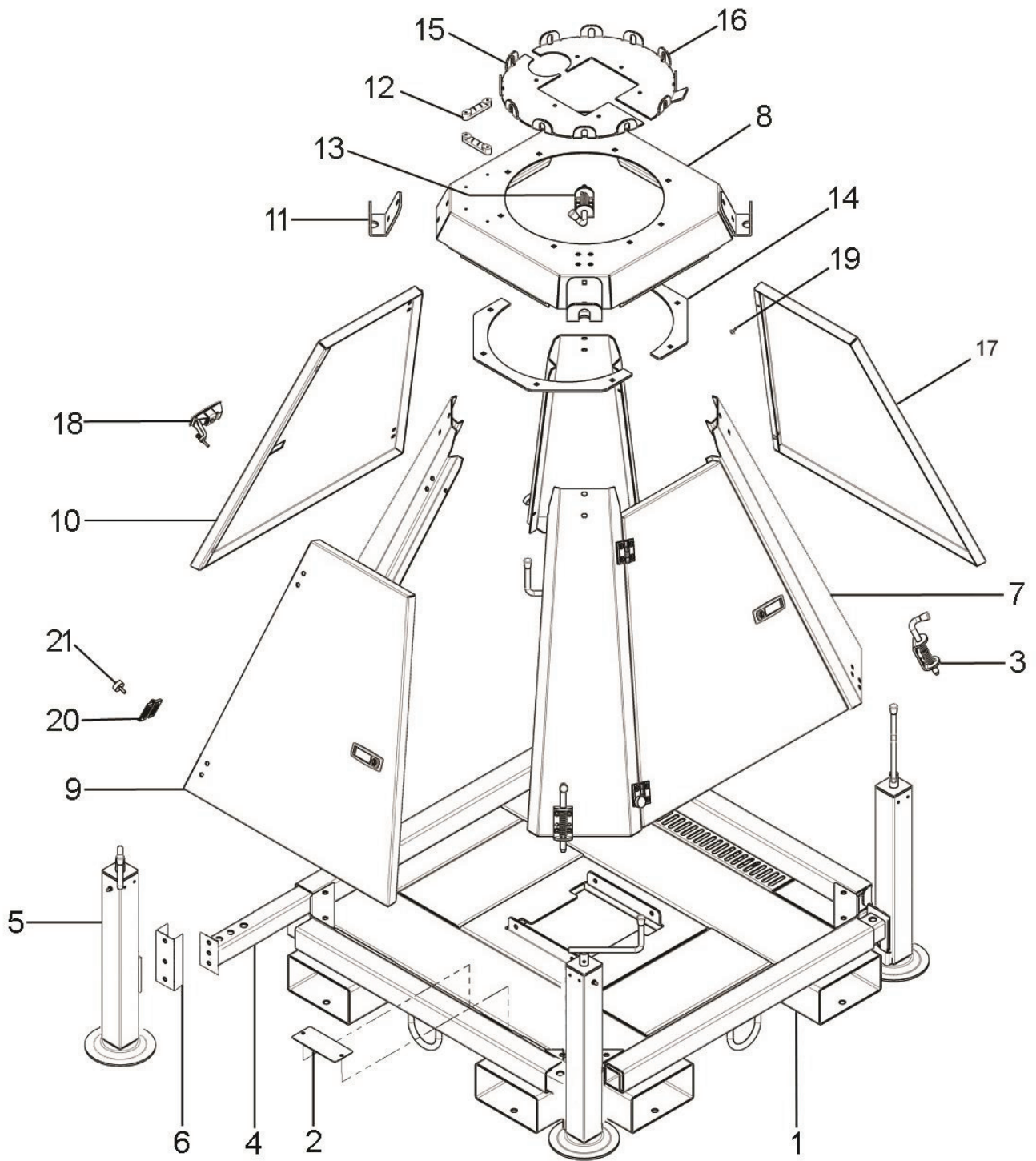
03013

STANDARD COMMAND PANEL

Item	Part No.	Qty	Description	Notes
1	A0000215338	1	Fuse, 2A 250V 6.3X32	
2	-	1	Holder, fuse 6.3 x 32	Special order
3	-	1	Box support, left command - black	Special order
4	A0000507192	1	Breaker, main 15A/20A	
5	75016	4	Switch, lights 5A rated breaker	
6	-	1	Connection, terminal board	Special order
7	56507	1	Terminal board, 2 connector	-
8	-	1	End plate, intermediate	Special order
9	-	1	Terminal board, stop	Special order
10	-	1	Support	Special order
11	-			
12	-	1	Box, command - black	Special order
13	-	1	Clamp, 15/15 RSGU1	Special order
14	-	1	Side closure, box	Special order
15	A0000507198	1	Terminal board, 10P female	
16	-	1	Box support, right command - black	Special order
17	-	1	Support, socket plug	Special order
18	-	1	Cover, weather receptacle	Special order
19	14130	1	Receptacle, 120V/20A GFI	
20	A0000507199	1	Receptacle 120V/20A inlet	
21	75014	1	Receptacle, 120V/20A inlet w/cover	
22	A0000216436	1	Capacitor, 4.7UF 100V	
23	-	1	Support	Special order
24	A0000507200	1	Relay, light dependent w/sensor	
25	A0000507201	1	Contact, 25A 2NO 120V AC/DC	
26	A0000507202	1	Timer, 240V	
27	-	1	Support, light sensor and timer	Special order
28	-	1	Plate, front - aluminum	Special order
29	-	1	Terminal, main ground	Special order
30	A0000507203	1	Protection, Wimex 4P	
31	A0000507204	1	Switch, rocker ON/ON	
32	A0000507206	1	Switch, selector	

Note: (1) Always specify the serial number of machine, logic must be set according to the configuration of the machine.

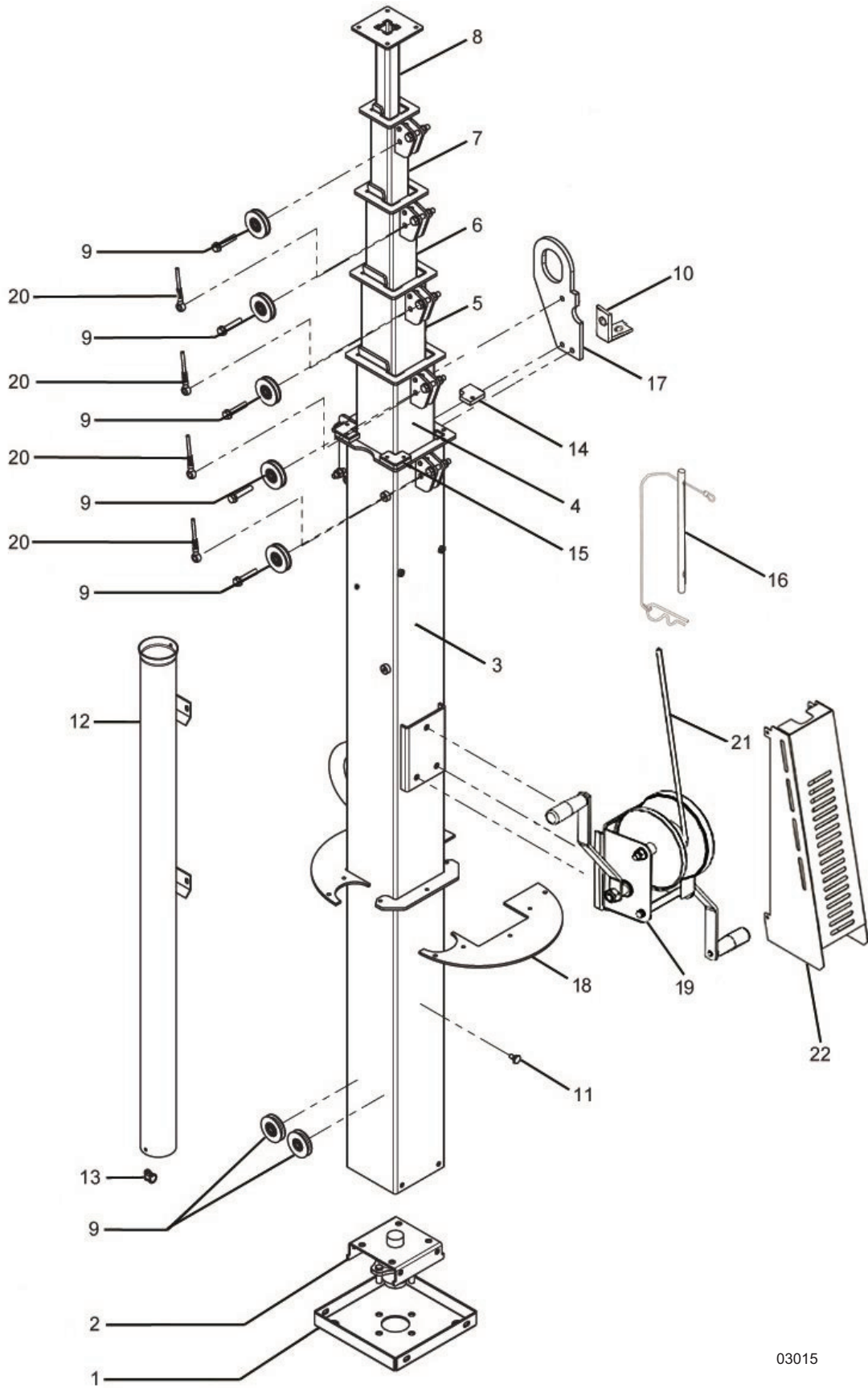
BASE



03014

Item	Part No.	Qty	Description	Notes
1	-	1	Base	Special order
2	-	1	Base cover -black	Special order
3	56516	1	Pin, spring mount - M5	
4	A0000764108	1	Stabilizer guide	
5	A0000763366	1	Stabilizer, jack	
6	A0000763365	1	Stabilizer adapter	
7	-	4	Angular plate	Special order
8	-	1	Top cover - black	Special order
9	A0000507208	1	Front closure - white	
10	A0000507209	1	Door - white	
11	-	1	Angular hook	Special order
12	A0000216115	1	Level, spirit	
13	-	1	Lock pin - closing	Special order
14	-	1	Mast guide flange	Special order
15	-	1	Mast guide flange without blocking	Special order
16	-	1	Mast guide flange with blocking	Special order
17	A0000507210	1	Rear closure - white	
18	56539	1	Door handle - locking	
19	56536	1	Bumper - rubber	
20	56538	1	Hinge	
21	A0000507211	1	Shock absorber, 20x17 M6x20 60°	

TELESCOPIC MAST



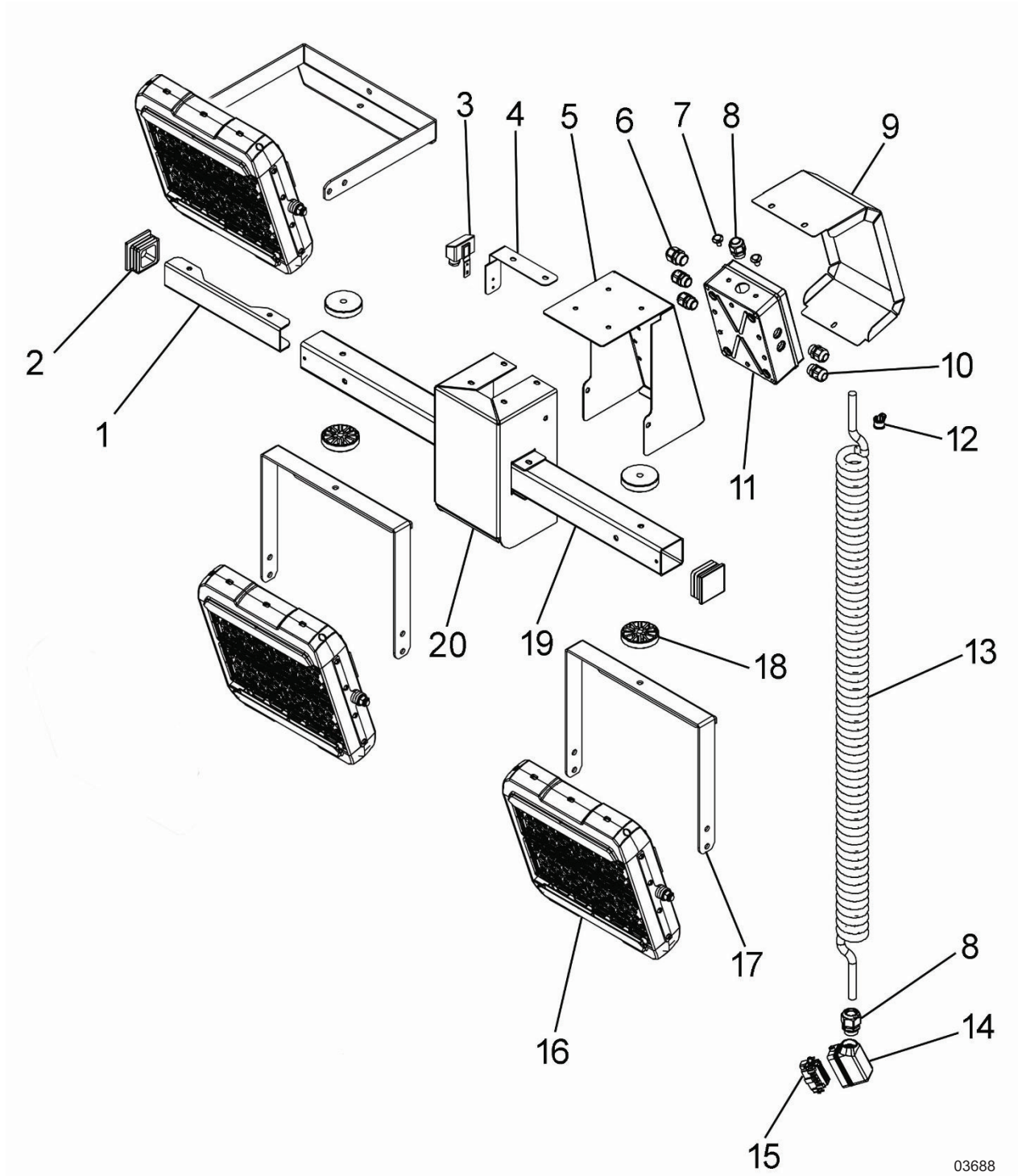
03015

TELESCOPIC MAST

Item	Part No.	Qty	Description	Notes
1	A0000507212	1	Plate, support - mast	
2	A0000507213	1	Weldment4P hub for mast - black	
3	A0000507214	1	Weldment, mast 1 150x150	
4	A0000507215	1	Weldment mast 2 120x120	
5	A0000507216	1	Weldment, mast 3 100x100	
6	A0000507217	1	Weldment, mast 4 80x80	
7	A0000507218	1	Weldment, mast 5 60x60	
8	A0000507219	1	Weldment, mast 6 40x40	
9	A0000300988 ⁽¹⁾	1	Sheave	
10	-	1	Support, security pin	Special order
11	-	1	Inox screw M8 H=4mm	Special order
12	A0000507220	1	Tube, cable guide	
13	-	1	15/15 RSGU1 clamp	Special order
14	-	1	Angular for mast	Special order
15	-	1	Short nylon angular blocking plate	Special order
16	A0000507221	1	Assembled security pin	
17	-	1	Raising hook	Special order
18	-	1	Mast guide flange	Special order
19	A0000507222	1	Winch, dual handle - manual	
20	A0000507223	1	Steel cable (l 1860 Ø 6)	
21	A0000507224	1	Steel cable (l 5650 Ø 6)	
22	A0000763482	1	Cover, winch	

Note: ⁽¹⁾ Specify diameter

FLOODLIGHT GROUP



FLOODLIGHT GROUP

Item	Part No.	Qty	Description	Notes
1	-	2	Plate. reinforcement	Special Order
2	-	2	Cap, 60 x 60	Special Order
3	-	1	Support, light sensor - black	Special Order
4	A0000216084	1	Sensor, light	
5		1	Support, electrical box	Special Order
6	A0000507225	3	Strain relief, PG11	
7	-	1	Screw	
8	-	1	Strain relief, M25 x 1.50	Special Order
9	-	1	Cover, electric box - black	Special Order
10	-	1	Strain relief, PG13.5	Special Order
11	A0000507227	1	Box, junction	
12	-	1	Clamp, 15/15 RSGU1	Special Order
13	A0000300803	1	Cord, coil	
14	A0000507228	1	Box, terminal 10-18P - male	
15	A0000507229	1	Terminal board, 10P female	
16	A0000203129	4	Assembly, 240W LED light	
17	A0000203130	4	Trunnion, floodlight	
18	A0000507235	4	Spacer,	
19	-	1	Tube, light mount - black	Special Order
20	-	1	Plate, floodlight - black	Special Order
--	72178	4	Driver. LED 30V, 10.7A-CC 320W	

Part No. A0000419061 Rev. E 11/09/2023

©2023 Generac Power Systems, Inc.

All rights reserved.

Specifications are subject to change without notice.

No reproduction allowed in any form without prior written consent
from Generac Power Systems, Inc.

GENERAC | **MOBILE**

Generac Power Systems, Inc.

S45 W29290 Hwy. 59, Waukesha WI 53189

[GeneracMobileProducts.com](https://www.GeneracMobileProducts.com) | 844-ASK-GNRC | 844-275-4672