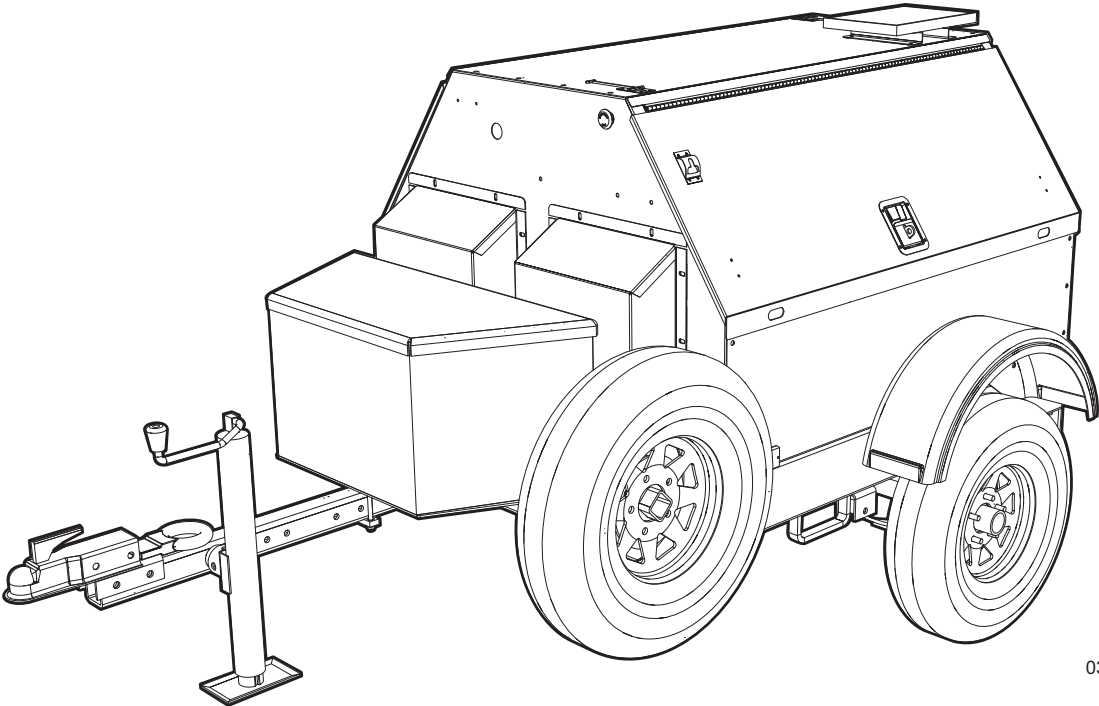


Comcast MLG Diesel Generator

Parts Manual



03450

MODEL NUMBER: _____

SERIAL NUMBER: _____

DATE PURCHASED: _____

 **WARNING**

CANCER AND REPRODUCTIVE HARM

www.P65Warnings.ca.gov.

(000393a)

 **WARNING**

Breathing diesel engine exhaust exposes you to chemicals known to the State of California to cause cancer and birth defects or other reproductive harm.

- Always start and operate the engine in a well-ventilated area.
- If in an enclosed area, vent the exhaust to the outside.
- Do not modify or tamper with the exhaust system.
- Do not idle the engine except as necessary.

For more information go to

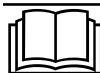
www.P65Warnings.ca.gov/diesel.

(000394)

Introduction

This parts manual was prepared based on the information available at the time of publication and is subject to change without notice. Generac Mobile reserves the right to change parts at any time. To check whether a revised parts manual is available, contact Generac Mobile.

DO NOT MODIFY or use this equipment for any application other than which it was designed for. To keep your equipment fully operational, it is suggested you maintain a stock of commonly used maintenance or service parts. A recommended spare parts list can be found in the back of this manual. To order service parts, please go to www.generacmobileproducts.com or call Generac Mobile.



WARNING

Consult Manual. Read and understand manual completely before using product. Failure to completely understand manual and product could result in death or serious injury. (000100a)

WARNING

Environmental Hazard. Always recycle batteries at an official recycling center in accordance with all local laws and regulations. Failure to do so could result in environmental damage, death, or serious injury. (000228)

GENERAC MOBILE PRODUCTS LLC

215 Power Drive • Berlin, WI 54923 U.S.A.

Phone: 920-361-4442

FAX: 920-361-4416

Toll Free: 1-800-926-9768

www.generacmobileproducts.com

**For technical or parts QUESTIONS, contact Generac Mobile Technical Service
at 1-800-926-9768.**

Engine Make: _____

Engine Serial Number: _____

Engine Model Number: _____

This Page Intentionally Left Blank

Table of Contents

Introduction	iii
Parts Manual Instructions	1
Unit Decals	2
Roof and Doors to Unit	4
Front, Rear and Side Panels to Unit	6
Control Box to Unit	8
Control Box Assembly	10
Control Panel Assembly	12
Cooling System Assembly	14
Engine and Generator to Unit	16
Engine Assembly - Mitsubishi Left Side	18
Engine Assembly - Mitsubishi Right Side	20
Generator Assembly	22
Fuel Tank to Unit	24
Trailer Assembly	26
Recommended Spare Parts - Engine and Service Kits	28
Recommended Spare Parts - Electrical	30

This Page Intentionally Left Blank

Parts Manual Instructions

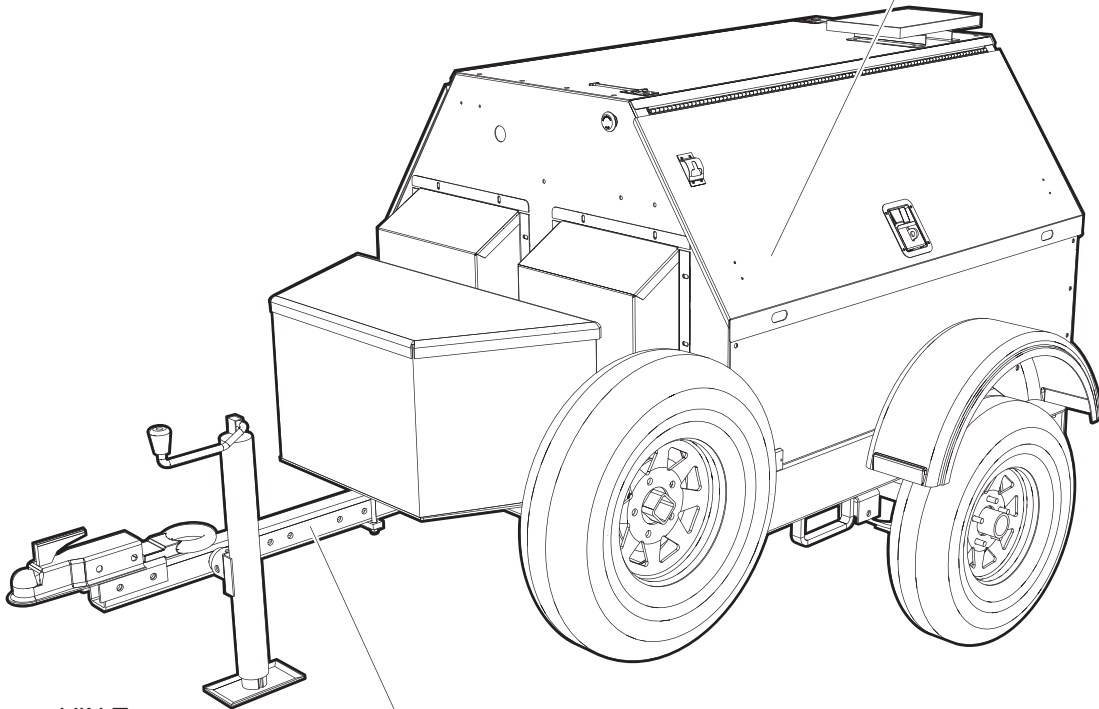
Product illustrations are only representations. Products supplied may vary from the illustrations in this parts manual. Parts not shown in the illustration are indicated by a double dash (--) in the item column.

Please be prepared to provide the following information when ordering replacement parts: model number, serial number (on unit serial tag), part number, purchase order number (if applicable), shipping address, shipping method.

Refer to the illustration below to locate the unit ID tag and Vehicle Identification Number (VIN) tag on the unit. Important information, such as the unit serial number, model number, VIN and tire loading information are found on these tags. Record the information from these tags so it is available if the tags are lost or damaged. When ordering parts or requesting assistance, you may be asked to provide this information.

*Unit ID Tag
Located on inside
of front panel*

Manufactured by Generac Mobile Products LLC			
(920) 961-4442		(920) 656-9768	
Country of Origin	Model	Serial Number	
Manufacturing Code	Weight (lbs/kg)	RPM/Frequency	
1 ph. 1.00P	3 ph. .80Y	3 ph. 1.00P	None
W			
KVA			
V			
A			



VIN Tag

MANUFACTURED BY FABRIQUE PAR Generac Mobile Products, LLC			
OVERSEAS (920) 961-4442		CROSS-BORDER (920) 656-9768	
LAUREN / FINISH	TIRE / PRESS	RM / JANTE	CONF A / FREQ - RPM/SI/CT/CSL / DUAL
SACH / PNEU			
<p>TIRE AND LOADING INFORMATION REINFORCEMENTS SUR LES PNEUS ET LE CHASSIS</p> <p>The weight of cargo should never exceed 5000KG (11023.5LBS) in total for shipment to 48 states (excludes 92000, 03081, 03082).</p>			
<p>SEE CHECKS SECTION FOR ADDITIONAL INFORMATION ON TIRE AND LOADING INFORMATION.</p>			
MODEL: XXX000		TYPE: TRAILER	
VIN: 0000000000000000			

03451

UNIT DECALS

WARNING
BREATHING DIESEL ENGINE EXHAUST EXPOSES YOU TO CHEMICALS KNOWN TO THE STATE OF CALIFORNIA TO CAUSE CANCER AND BIRTH DEFECTS OR OTHER REPRODUCTIVE HARM.

1. ALWAYS START AND OPERATE THE ENGINE IN A WELL-VENTILATED AREA.
2. IF AN INHALED AREA, VENT THE EXHAUST TO THE OUTSIDE.
3. DO NOT MODIFY OR TAMPER WITH THE EXHAUST SYSTEM.
4. DO NOT USE THE ENGINE EXCEPT AS DESIGNED.
5. FOR MORE INFORMATION, GO TO WWW.PSWARNINGS.CA.GOV/DIESEL.

ADVERTENCIA
RESPIRAR EL ESCAPE DEL MOTOR DIESEL LO EXPONE A SUSTANCIAS QUÍMICAS QUE EL ESTADO DE CALIFORNIA RECONOCE COMO CAUSANTES DE CÁNCER Y DEFECTOS CONGÉNITOS U OTROS DAÑOS REPRODUCTIVOS.

1. SIEMPRE ARRANQUE Y OPERE EL MOTOR EN UN LUGAR BIEN VENTILADO.
2. SI ESTÁ EN UN ÁREA CERRADA, VENTILE EL ESCAPE HACIA EL EXTERIOR.
3. NO MODIFIQUE NI TAMPERE EL SISTEMA DE ESCAPE.
4. NO HAGA FUNCIONAR EL MOTOR EN VALENTE, EXCEPTO SEGUN SEA NECESARIO.
5. PARA OBTENER MÁS INFORMACIÓN, VISITE WWW.PSWARNINGS.CA.GOV/DIESEL.

AVERTISSEMENT
L'INHALATION DES GAZ D'ÉCHAPPEMENT D'UN MOTEUR DIESEL VOUS EXPOSE À DES SUBSTANCES QUI LE ÉTAT DE CALIFORNIE A DÉCLARÉES RESPONSABLES DE CANCER ET DE MALFORMATIONS CONGÉNITALES OU AUTRES ANOMALIES DE LA REPRODUCTION.

1. TOUJOURS DÉMARRER ET FAIRE FONCTIONNER LE MOTEUR DANS UN ENDROIT BIEN AÉRÉ.
2. SI L'EST DANS UN ENDROIT FERMÉ, ÉVACUER L'ÉCHAPPEMENT VERS L'EXTÉRIEUR.
3. NE PAS MODIFIER NI ALTERER LE SYSTÈME D'ÉCHAPPEMENT.
4. NE PAS LAISSER LE MOTEUR TOURNER À VIDE PLUS QUE NÉCESSAIRE.
5. POUR PLUS D'INFORMATION, ALLEZ À WWW.PSWARNINGS.CA.GOV/DIESEL.

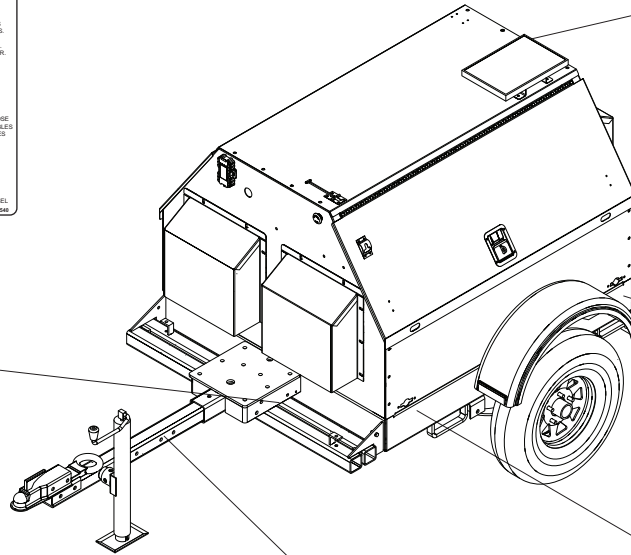
0000000000

Inside cabinet

WARNING

1

WARNING
ADVERTENCIA
AVERTISSEMENT



TOWING INSTRUCTIONS	ABSCHLEPPANWEISUNGEN	INSTRUCCIONES PARA REMOLQUE	INSTRUCCIONES DE REMORQUAGE
<ol style="list-style-type: none"> 1. Read operator's manual. 2. Use hitch rated for trailer's gross vehicle weight rating. 3. Securely attach trailer to tow vehicle. 4. Attach safety chains using a cross pattern. 5. Attach breakdown chain to vehicle. 6. Check trailer lights. 	<ol style="list-style-type: none"> 1. Benutzerhandbuch lesen. 2. Anhängervorrichtung verwenden, die der „Gesamtbetriebsgewichtsklasse“ des Fahrzeuges entspricht. 3. Anhänger sicher am Abschleppfahrzeug befestigen. 4. Sicherheitsketten über Kreuz anbringen. 5. Abbremskette am Fahrzeug anbringen. 6. Anhängerleuchten prüfen. 	<ol style="list-style-type: none"> 1. Lea el manual del operador. 2. Use un enganche adecuado para la "capacidad de peso bruto del vehículo" del remolque. 3. Enganche firmemente el remolque al vehículo de remolque. 4. Enganche las cadenas de seguridad en forma cruzada. 5. Enganche al vehículo la cadena de emergencia para avisos. 6. Revise las luces del remolque. 	<ol style="list-style-type: none"> 1. Lire le manuel de l'utilisateur. 2. Utiliser un attelage convenant au poids nominal brut de la remorque. 3. Arrimer solidement la remorque au véhicule tracteur. 4. Poser les chaînes de sécurité en les croisant. 5. Fixer la chaîne de remorquage au véhicule. 6. Vérifier les feux de la remorque.



Inside cabinet
on fuel tank

DANGER
GEFAHR
PELIGRO
DANGER

DIESEL

1

Inside cabinet
on fuel tank

ULTRA LOW SULFUR FUEL ONLY

S≤15 mg/kg

4

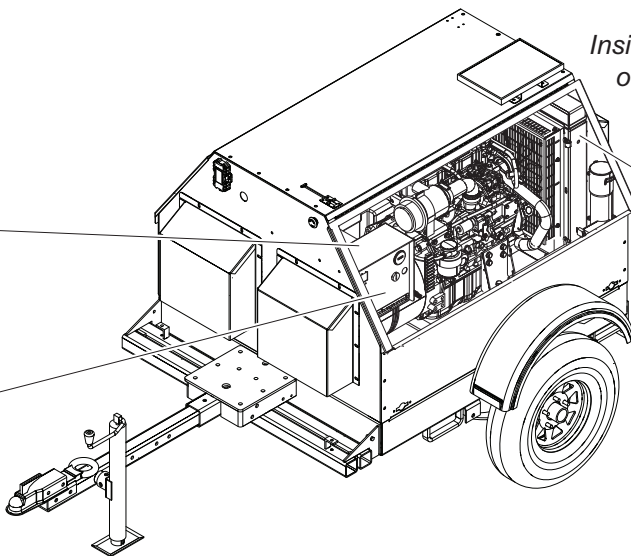
1

Operator's manual must be stored on machine. Replacement operator's manual can be ordered through your local Magnum dealer.
Das Benutzerhandbuch muss an der Maschine aufbewahrt werden. Zur Bestellung von Ersatzhandbüchern wenden Sie sich bitte an Ihren Magnum-Abnehmer.
El manual del operador debe guardarse en la máquina. El manual del operador debe guardarse en la máquina. El manual del operador debe guardarse en la máquina a través de su distribuidor local de Magnum.
Ranger le manuel de l'utilisateur avec l'appareil. Le manuel de réchange peut être commandé auprès de votre distributeur Magnum local.

1

PUSH TO RESET

ZUR RÜCKSTELLUNG DRÜCKEN
EMPUSAR PARA REAJUSTAR
POUSSEZ POUR REARMER



WARNING

1

WARNING
ADVERTENCIA
AVERTISSEMENT

03452

UNIT DECALS

Item	Part No.	Qty	Description	Notes
1	10288	1	Decal, safety	
2	12142	1	Decal, ground	
3	10000038540	1	Decal, Prop 65	
4	27433	1	Decal, ultra low fuel only	

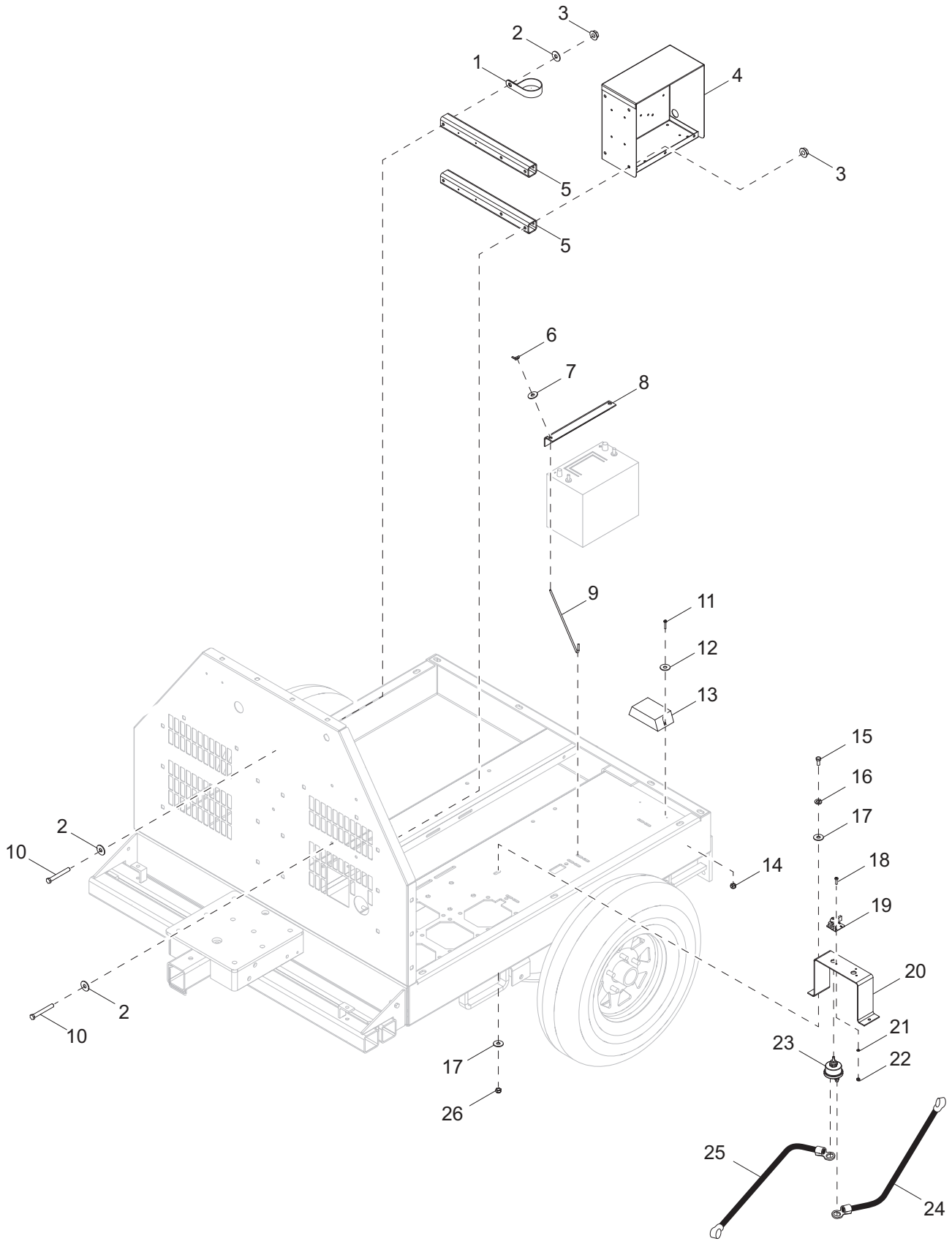
ROOF AND DOORS TO UNIT

Item	Part No.	Qty	Description	Notes
1	60698	8	Washer, .375 flat .875/.040, SS	
2	60703	8	Washer, .375 split lock, SS	
3	60690	8	Screw, .375-16 x 1.0 std hex, SS	
4	A0001493225	1	Panel, top	
5	12605	2	Latch, door - T style	
6	60268	48	Rivet, .188 diameter x .126 to .250 grip - SS	
7	31328	1	Panel, solar 12V-10W	
8	A0001074336	2	Bracket, solar panel mount	
9	A0000278989	2	Latch, paddle - 7 lb spring	
10	11724	2	Foam, door	
11	16739W	2	Panel, door	
12	16598	2	Hinge, door - .188 pin, 48.5 in. long	
13	60657	6	Nut, .375-16 cage, G5	
14	23387	1	Telemetry, ZTR	
15	65470	1	Switch, E-stop operator	
16	A0001525374	1	Switch, E-stop 2NO/1NC	
17	65580	1	Block, E-stop contactor - NC (low voltage)	

FRONT, REAR AND SIDE PANELS TO UNIT

Item	Part No.	Qty	Description	Notes
1	35500W	1	Panel, rear	
2	60657	26	Nut, .375-16 cage, G5, 12 GA	
3	A0001525368	1	Assembly, license plate holder	
4	60423	2	Rivet, .188 dia x .250 to .375 grip	
5	60457	2	Nut, 10-24 nylock, G2	
6	60067	2	Washer, #10 flat .435/.060, SS	
7	A0001525367	2	Assembly, rear tail/turn light, 3-wire w/plug	
8	10221	2	Grommet, rear light, rubber	
9	60268	2	Rivet, .188 dia x .126 to .250 grip, SS	
10	11222	1	Bracket, manual holder	
11	60089	2	Washer, .265 fender 1.25/.060	
12	60540	2	Screw, 10-24 x .750 pan phil, SS	
13	15628	2	Clamp, wire - .38	
14	60140	10	Nut, .375-16 hex, G5	
15	60698	38	Washer, .375 flat .875/.040, SS	
16	60703	36	Washer, .375 split lock, SS	
17	60649	1	Clamp, tubing - .750 heavy duty	
18	19714	1	Cap, overflow jug	
19	20287	1	Jug, overflow	
20	60061	1	Nut, 10-32 nylock	
21	60696	1	Washer, .250 flat .625/.050, SS	
22	G027529	1	Nut, .250-20 nylock	
23	60414	1	Screw, .250-12 x 1.50 std hex, G5	
24	19726	1	Clamp, overflow jug	
25	22419B	1	Bracket, overflow jug	
26	60689	10	Screw, .375-16 x 4.0 std hex, SS	
27	66372	2	Light, clearance marker - red	
28	60694	8	Screw, 8-32 x .750 pan phil, SS	
29	60730	8	Nut, 8-32 U-clip	
30	15215	6	Rubber bumper	
31	60267	6	Rivet, .125 dia. x .191 to .271 grip, alum	
32	66373	2	Light, clearance marker - amber	
33	16560	2	Fender, plastic - 13 in. tire	
34	60690	22	Screw, .375-16 x 1.0 std hex, SS	
35	35501W	1	Panel, left side	
36	34744W	1	Panel, front	
37	60733	1	Plug, hole .875 diameter - white	
38	60295	8	Screw, .375-16 x .750 std hex, SS	
39	60386	8	Washer, .375 flat .993/.064	
40	12025W	1	Panel, right side	
41	11121	1	Manual holder tube	
42	15425	16	Nut, .312-18 cage	
43	34783W	2	Duct, front	
44	60507	16	Screw, .312-18 x 1.0 std hex, SS	
45	60701	16	Washer, .312 split lock, SS	
46	60340	16	Washer, .312 flat .875/.040, SS	
47	12189W	1	Duct, radiator guard	
--	10265	1	Harness, right side trailer	
--	65661	1	Bulb, light - clearance marker	

CONTROL BOX TO UNIT

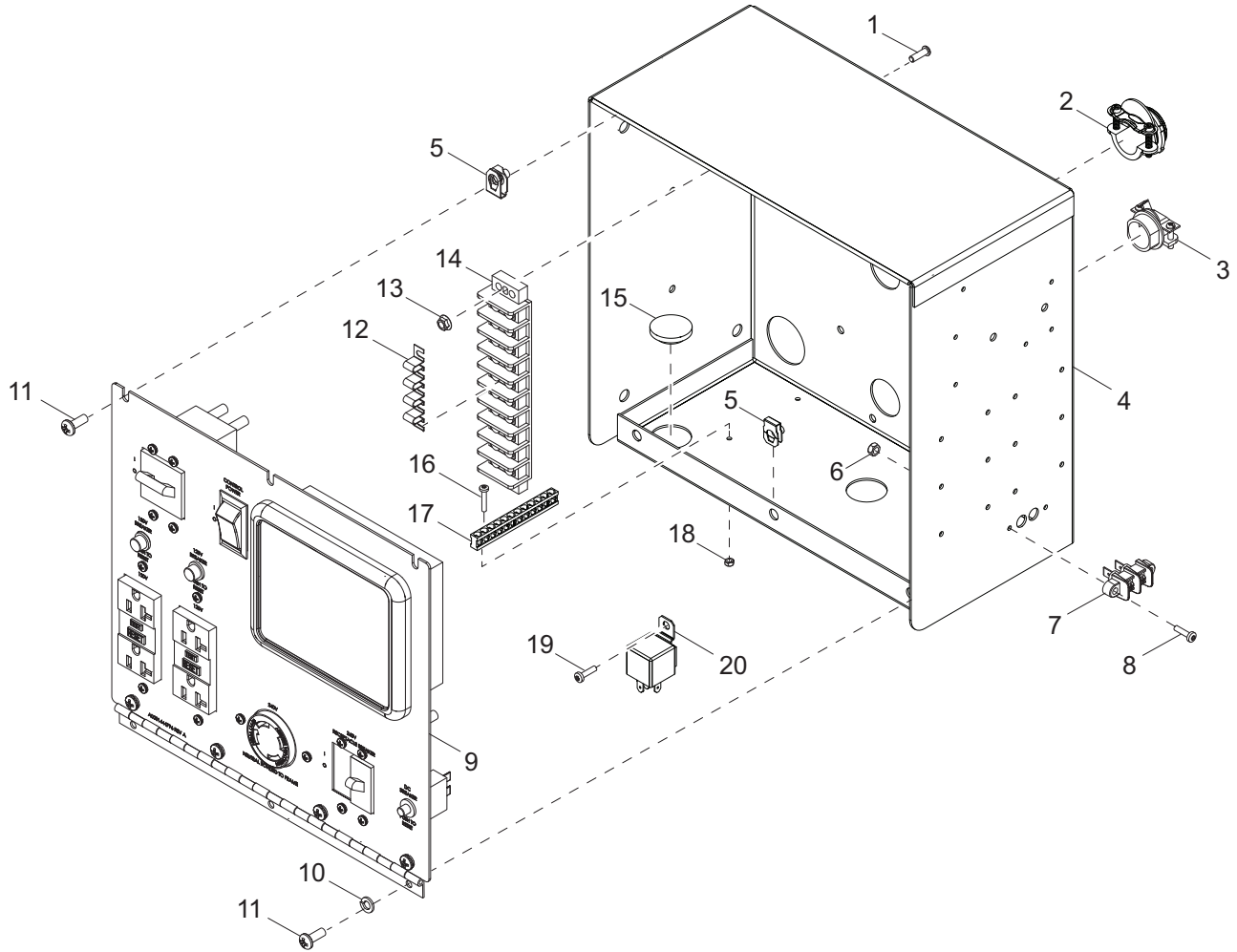


03455

CONTROL BOX TO UNIT

Item	Part No.	Qty	Description	Notes
1	60649	1	Clamp, tubing - .750 heavy duty	
2	60340	12	Washer, .312 flat .875/.040, SS	
3	60303	6	Nut, .312-18 nylock, G2	
4	N/A	1	Control box	Page 10
5	11543B	2	Spacer, control box	
6	60090	2	Nut, wing - .250 x 20	Included w/item 9
7	60089	2	Washer, .250 flat	Included w/item 9
8	32622B	1	Bracket, battery hold down	
9	60820	2	Bolt, J - .250-20 x 10.0	
10	62043	6	Screw, .312-18 x 2.25 std hex, SS	
11	60062	2	Screw, 10-32 x .750 pan Phillips, G2	
12	60067	2	Washer, #10 flat .435/.060, SS	
13	66212	1	Charger, battery - 2-5A/1-10A 3 stage 2 output	
14	60061	2	Nut, 10-32 nylock	
15	60028	2	Screw, .312-18 x 1.0 std hex, G5	
16	G022129	2	Washer, .312 split lock	
17	60119	2	Washer, .312 flat .875/.070	
18	60277	2	Screw, 10-32 x .500 pan phil, G2	
19	65499	1	Assembly, switch lockout lever	
20	13654B	1	Bracket, battery disconnect	
21	60067	2	Washer, #10 flat .435/.060, SS	
22	60061	2	Nut, 10-32 nylock	
23	65498	1	Switch, disconnect	
24	15073	1	Cable, battery - 24 in. 4GA black, ..438 lug	
25	66906	1	Cable, battery - 18 in. 4GA red, .375 lug	
26	60303	2	Nut, .312-18 nylock, G2	
--	69936	1	Harness, 12VDC charger assembly	
--	69896	1	Cable, battery jumper 33.0 in 4GA red	
--	65733	1	Boot, battery terminal 1/0-2/0 GA black	
--	50876	1	Decal, battery charger	
--	65358	1	Battery, 12V 720CCA	

CONTROL BOX ASSEMBLY



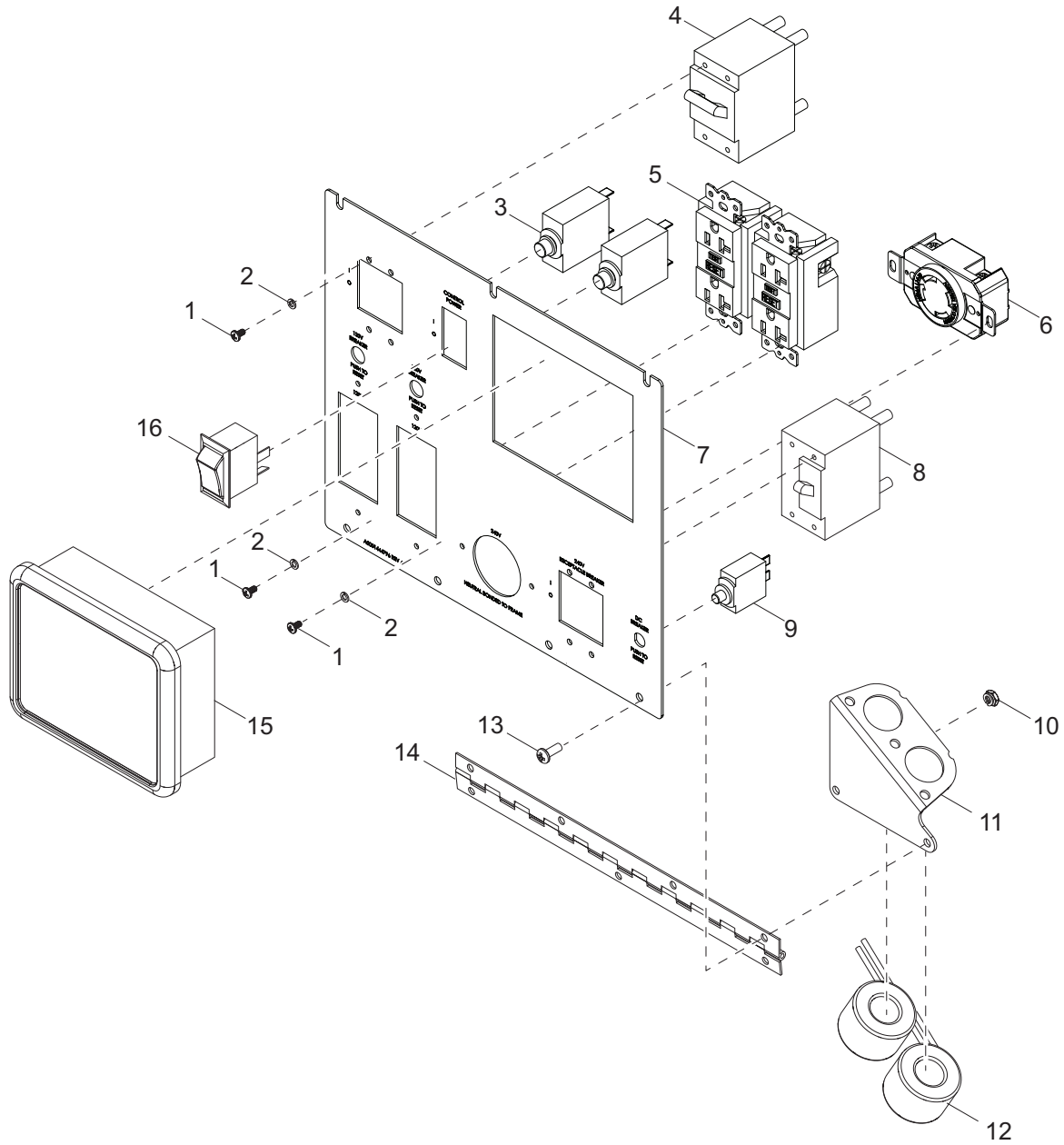
03456

CONTROL BOX ASSEMBLY

Item	Part No.	Qty	Description	Notes
1	60072	2	Screw, 10-32 x .750 pan Phillips, G2	
2	65490	1	Strain relief, 1.00 Romex w/nut	
3	14219	2	Strain relief, .750 Romex w/nut	
4	35886B	1	Box, control	
5	63105	6	Nut, 8-32 u-clip, G5	
6	60758	10	Nut, 4-40 nylock, G2	
7	68080	1	Block, terminal - 2 position	
8	62187	6	Screw, 4-40 x .500 pan Phillips - SS	
9	N/A	1	Assembly, control panel MLG8 PZ	
10	60252	3	Washer, #10 split lock	
11	60277	6	Screw, 10-32 x .500 pan Phillips, G2	
12	15125	4	Jumper	
13	60061	12	Nut, 10-32 nylock	
14	14203	1	Block, terminal - 10 position, 30A, 600V	
15	60746	1	Plug, hole 1.094 recessed - black	
16	60406	2	Screw, 8-32 x 1.00 pan Phillips, G2	
17	14204	1	Kit, ground bar	
18	60270	2	Nut, 8-32 nylock	
19	60396	3	Screw, 10-32 x 1.250 pan Phillips, G2	
20	65049	3	Relay, 12V 30/40A N.O. w/diode	
--	A0001446290	1	Wire group, control box	
--	10000045317	1	Harness, engine to PZ	
--	24051	1	Harness, control box to generator	
--	68736	1	Wire group, receptacles	

Page 12

CONTROL PANEL ASSEMBLY

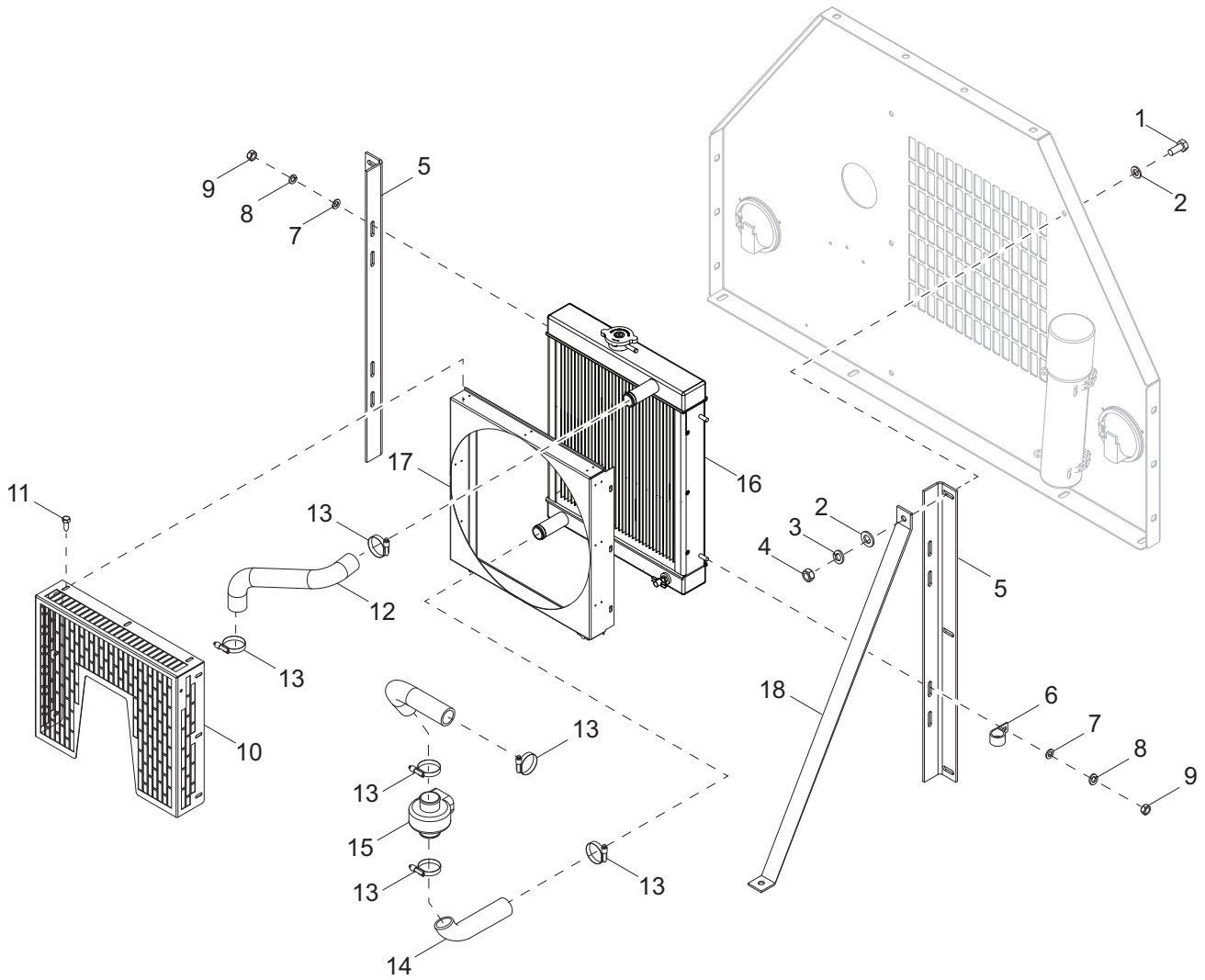


03457

CONTROL PANEL ASSEMBLY

Item	Part No.	Qty	Description	Notes
1	60405	16	Screw, 6-32 x .250 pan Phillips, G2	
2	60058	16	Washer, #6 split lock	
3	65849	2	Breaker, 10A, 120V, 1-pole, push button	
4	65963	1	Breaker, 30A, 250V, 2-pole, stud terminal w/aux	
5	14130	2	Receptacle, 120V/20A GFI	
6	65488	1	Receptacle, 240V/30A twist-lockL14-30	
7	A0001444796	1	Panel, control MLG8 - PZ	
8	65964	1	Breaker, 40A 250V 2 pole - am stud term w/AU	
9	65850	1	Breaker, 10A 240V 1 pole - push button	
10	14231	4	Nut, 10-32 hex, G2	
11	37212B	1	Bracket, CT	
12	66255	2	Transformer, current 100:5 wires	
13	60277	4	Screw, 10-32 x .500 pan Phillips, G2	
14	13677	1	Hinge, continuous - 11 in	
15	A0001445360	1	Controller, Deep Sea L401-001-A4 MLG8	
16	66995	1	Switch, rocker DPST on-off	

COOLING SYSTEM ASSEMBLY

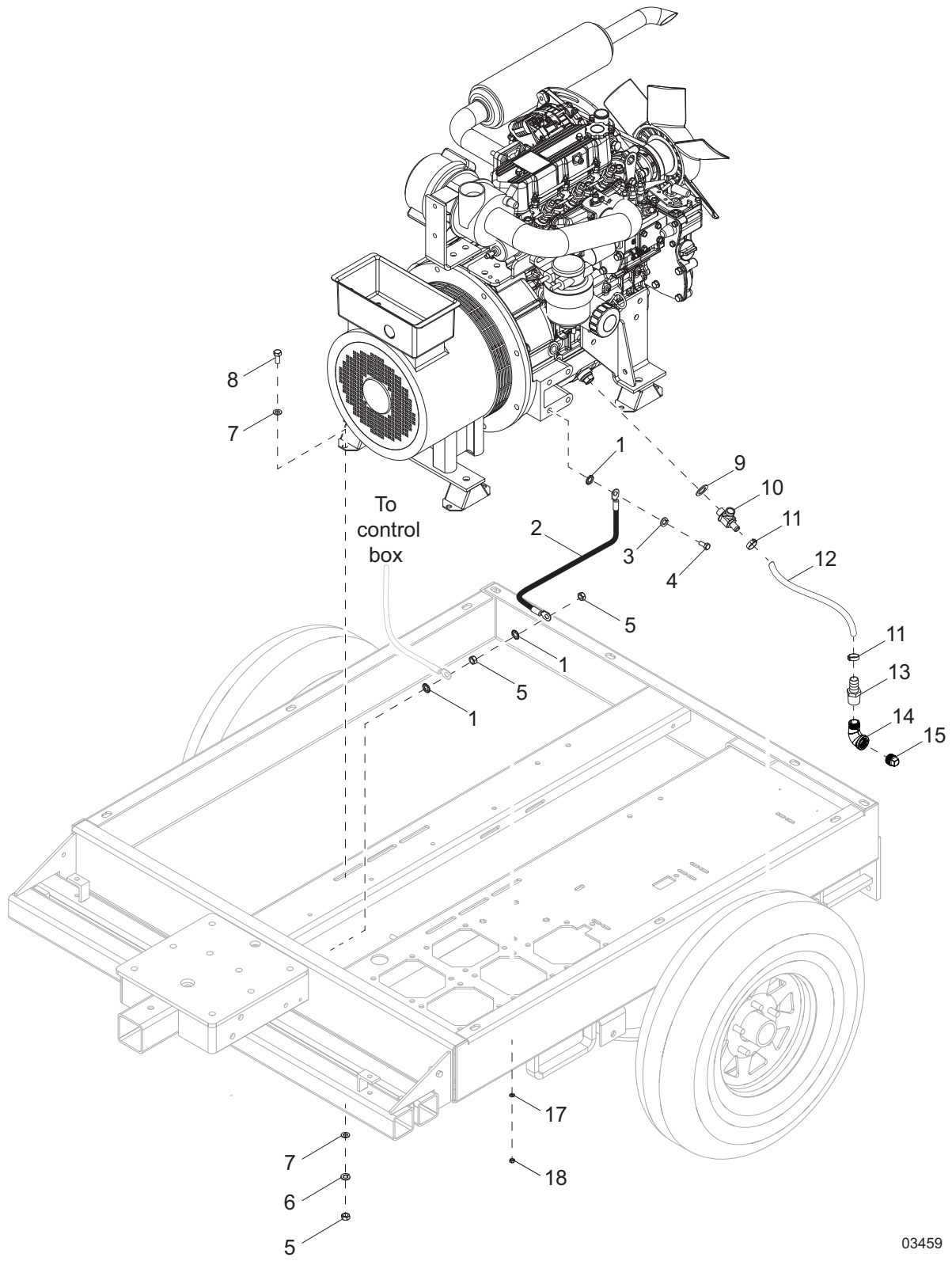


03458

COOLING SYSTEM ASSEMBLY

Item	Part No.	Qty	Description	Notes
1	60690	6	Screw, .375-16 x 1.0 std hex, SS	
2	60698	12	Washer, .375 flat .875/.040, SS	
3	60703	6	Washer, .375 split lock, SS	
4	60140	6	Nut, .375-16 hex, G5	
5	11683B	2	Bracket, radiator	
6	15627	2	Clamp, tubing - .625 heavy duty	
7	60119	4	Washer, .312 flat .875/.070	
8	60271	4	Washer, .312 split lock	
9	60032	4	Nut, M8-1.25 hex, G8.8	
10	A0000214702	1	Guard, fan	
11	60364	9	Screw, 10-16 x .500 std hex, G2, self-drilling	
12	32383SRV	1	Hose, radiator - upper	
13	15422	6	Clamp, hose - SAE 020 (.75-1.75)	
14	16688SRV	1	Hose, radiator - lower	
15	65649	1	Heater, engine - lower radiator hose	
16	A0000335661	1	Radiator	
17	A0000175263	1	Shroud, fan	
18	13604B	1	Strut, reinforcing	

ENGINE AND GENERATOR TO UNIT

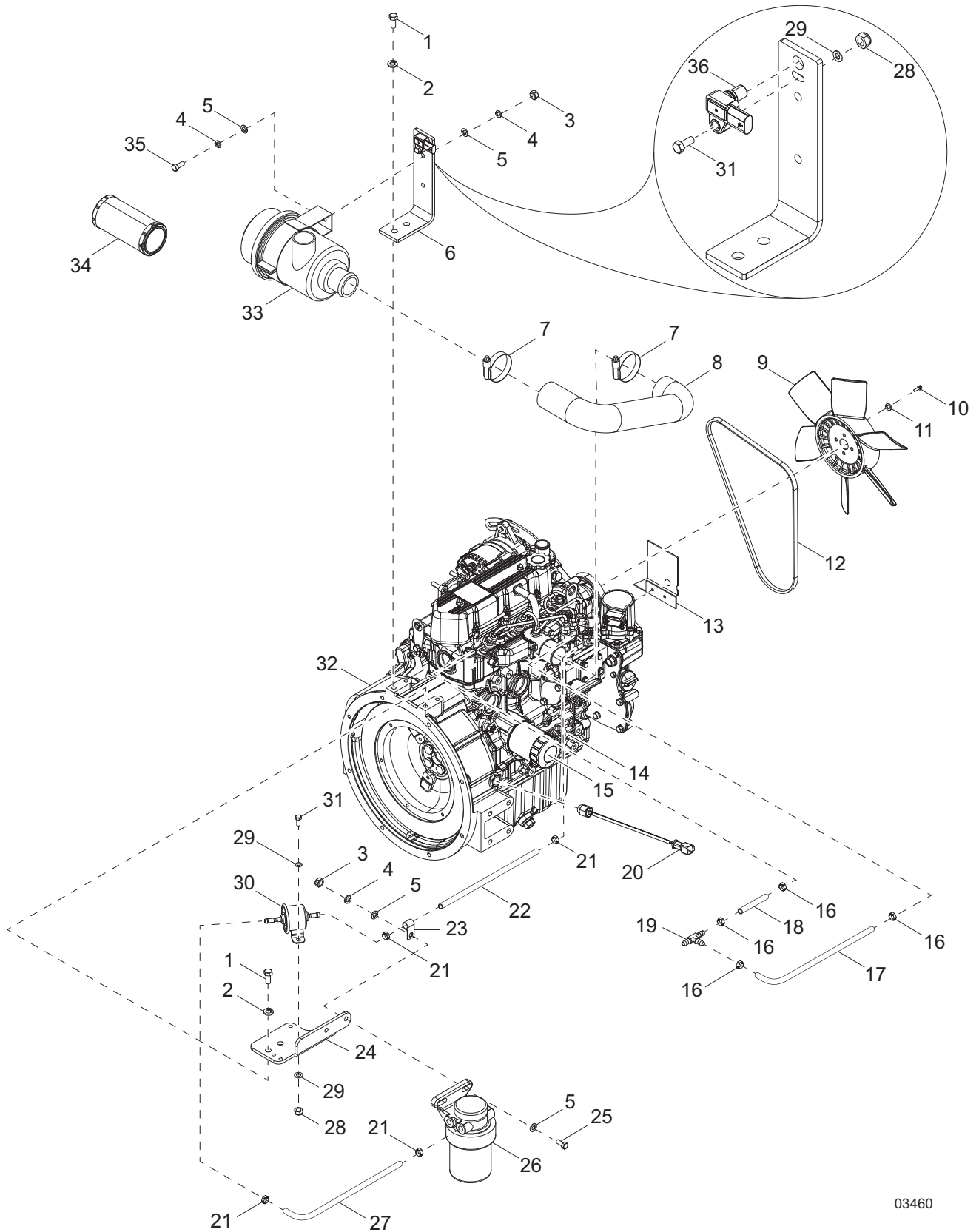


03459

ENGINE AND GENERATOR TO UNIT

Item	Part No.	Qty	Description	Notes
1	60747	3	Washer, .375 internal star	
2	16155	1	Assembly, wire - 4000 engine/chassis ground	
3	60026	1	Washer, M10 - split lock	
4	60495	1	Screw, M10 - 1.25 x 16, std hex, G8.8	
5	60140	10	Nut, .375-16 hex, G5	
6	60206	8	Washer, .375 split lock	
7	60698	16	Washer, .375 flat .875/.040, SS	
8	60205	8	Screw, .375-16 x 1.0 std hex, G5	
9	18496	1	Fitting, bushing - 2.5 OD x 2.0 ID	
10	60774	1	Valve, drain 22mm - 1.5 with nipple	
11	60365	2	Clamp, hose - SAE 010 (.56-1.06)	
12	50709	3 ft	Hose, .625 in., 300 psi	
13	62076	1	Fitting, strt - .750MNPT x .625 barb	
14	28213	1	Fitting, .750NPT street elbow	
15	60498	1	Fitting, plug - .750NPT square drive	

ENGINE ASSEMBLY - MITSUBISHI LEFT SIDE



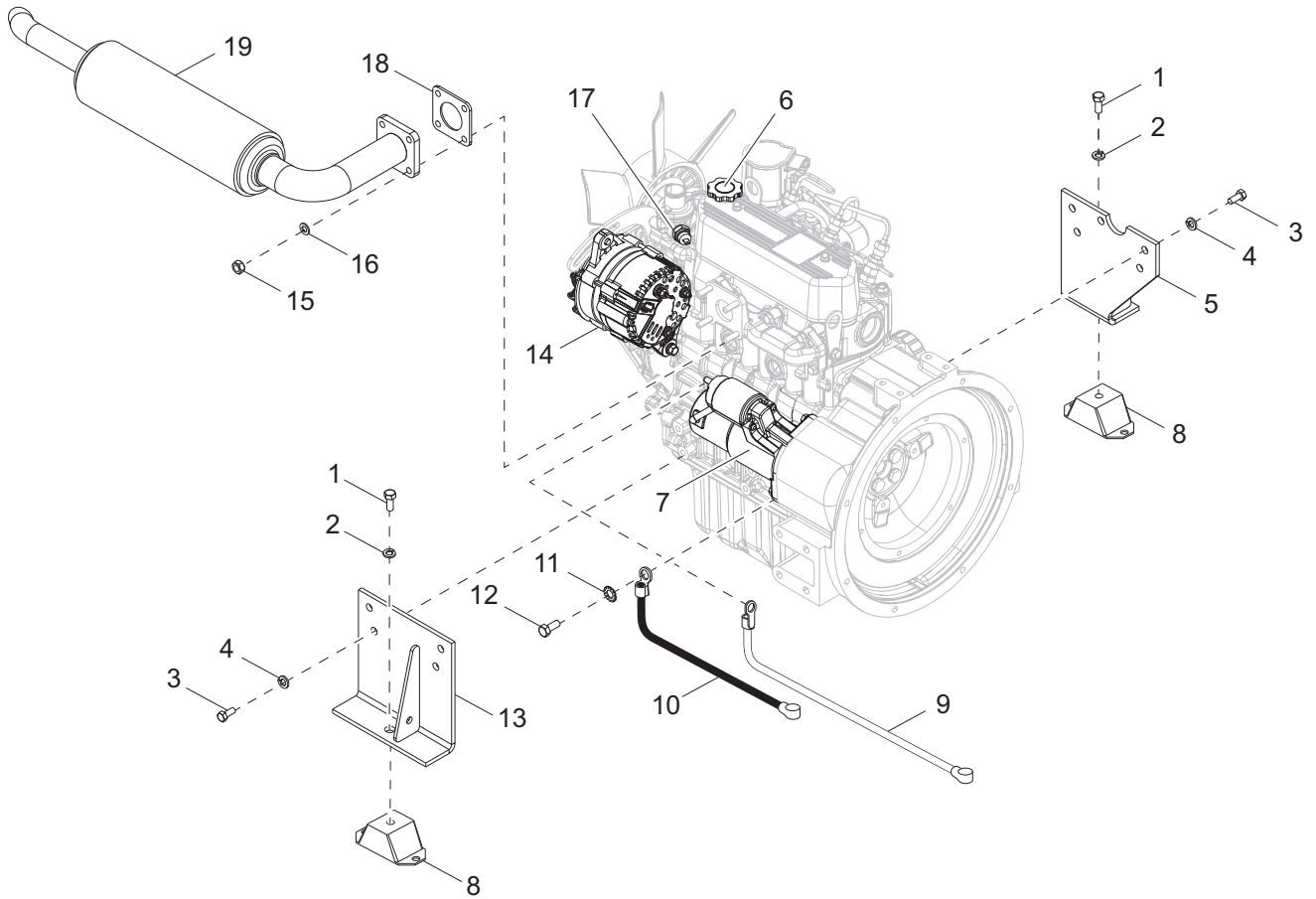
03460

ENGINE ASSEMBLY - MITSUBISHI LEFT SIDE

Item	Part No.	Qty	Description	Notes
1	60422	4	Screw, M10-1.25 x 25 standard hex, G8.8	
2	60026	4	Washer, M10 split lock	
3	60285	6	Nut, .312-18 hex, G2	
4	60271	6	Washer, .312 split lock	
5	60119	8	Washer, .312 flat .875/.070	
6	10000045650	1	Bracket, air cleaner - black	
7	60316	2	Clamp, hose - SAE 032 (1.56-2.50)	
8	16589	1	Hose, air cleaner	
9	16742	1	Fan, Mitsubishi	
10	63288	4	Screw, M6-1.0 x 12 pan head, G8.8	
11	60286	4	Washer, .250 split lock	
12	16692	1	V-belt, Mitsubishi	
13	11691SRV	1	Bracket, lower radiator hose guard	
14	11148	1	Dipstick, oil	
15	A0000630832	1	Element-Oil Filter L3E, S3L2, S4L2 G2	
16	60778	4	Clamp, hose - .188, crimp style	
17	14211	1.04 ft	Hose, fuel - .188 ID, 50 psi, SAE 30R7	
18	14211	.16 ft	Hose, fuel - .188 ID, 50 psi, SAE 30R7	
19	17145	1	Fitting, tee - .188 x .188 x .188 barb, nylon	
20	A0000116158	1	Pick-up, MAG	
21	60777	4	Clamp, hose - .312, crimp style	
22	50018	1 ft	Hose, fuel - .312 ID, 50 psi, SAE 30R7	
23	60649	1	Clamp, tubing - .750 heavy-duty	
24	10000044996	1	Bracket, fuel filter/pump, black	
25	60256	2	Screw, .312-18 x 1.5 standard hex, G5	
26	17641SRV	1	Filter, fuel head and element	
27	50018	1.04 ft	Hose, fuel - .312 ID, 50 psi, 30R7	
28	60144	3	Nut, .250-20 nylock, G5	
29	60243	5	Washer, .250 flat .735/.060	
30	13278SRV	1	Fuel pump, electric	
31	60393	3	Screw, .250-20 x 1.0 standard hex, G5	
32	10000037445	1	Engine - Mitsubishi LE3, T4 EXT SVC	
33	10000021718	1	Filter, air, w/bracket	
34	16444	1	Element, air filter	
35	61061	2	Screw, .312-18 x .875 standard hex, G5	
36	72175SRV	1	Sensor, atmospheric pressure	
--	16677	1	Switch, oil pressure	

Note: Engine and generator parts used in all Generac Mobile Products equipment carry the Original Equipment Manufacturer (OEM) warranty unless otherwise stated. OEM warranty parts must be purchased through an OEM dealer. Please contact Generac Mobile Products with questions.

ENGINE ASSEMBLY - MITSUBISHI RIGHT SIDE



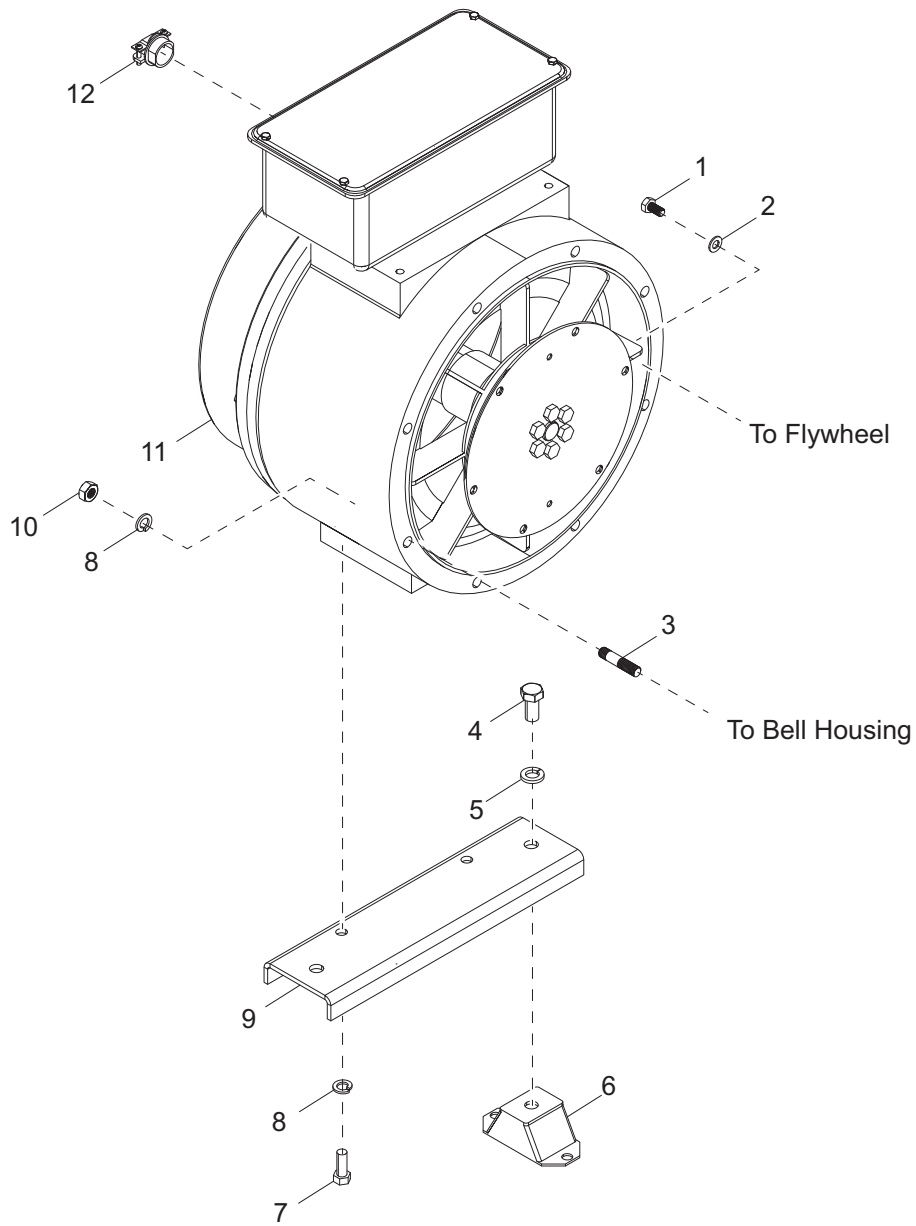
03461

ENGINE ASSEMBLY - MITSUBISHI RIGHT SIDE

Item	Part No.	Qty	Description	Notes
1	60275	2	Screw, .500-13 x 1.0 standard hex, G5	
2	60702	2	Washer, .500 split lock, SS	
3	60422	8	Screw, M10-1.25 x 25 standard hex, G8.8	
4	60026	8	Washer, M10 split lock	
5	70130B	1	Weldment, engine mount - right, black	
6	11147	1	Cap, oil filler	
7	70232	1	Starter	
8	15241	2	Isolator, rubber - 80-200 lbs, 2 in. wide	
9	69896	1	Cable, battery - 38 in, 4GA red, .438 lug	
10	15073	1	Cable, battery - 24 in, 4GA black, .438 lug	
11	60747	1	Washer, .375 internal star	
12	60495	1	Screw, M10-1.25 x 16 standard hex, G8.8	
13	16554B	1	Weldment, engine mount - LH, black	
14	A0000083440	1	Alternator	
15	60032	4	Nut, M8 - 1.25 hex, G8.8	
16	60029	4	Washer, M8 split lock	
17	16678	1	Switch, temperature sensor	
18	11042SRV	1	Gasket, muffler	
19	36391	1	Muffler, 30° flare	
--	65684	1	Harness, engine - Mitsubishi	
--	69896	1	Cable, battery, jumper 33.0" 4 GA red - .375 lug	

Note: Engine and generator parts used in all Generac Mobile Products equipment carry the Original Equipment Manufacturer (OEM) warranty unless otherwise stated. OEM warranty parts must be purchased through an OEM dealer. Please contact Generac Mobile Products with questions.

GENERATOR ASSEMBLY



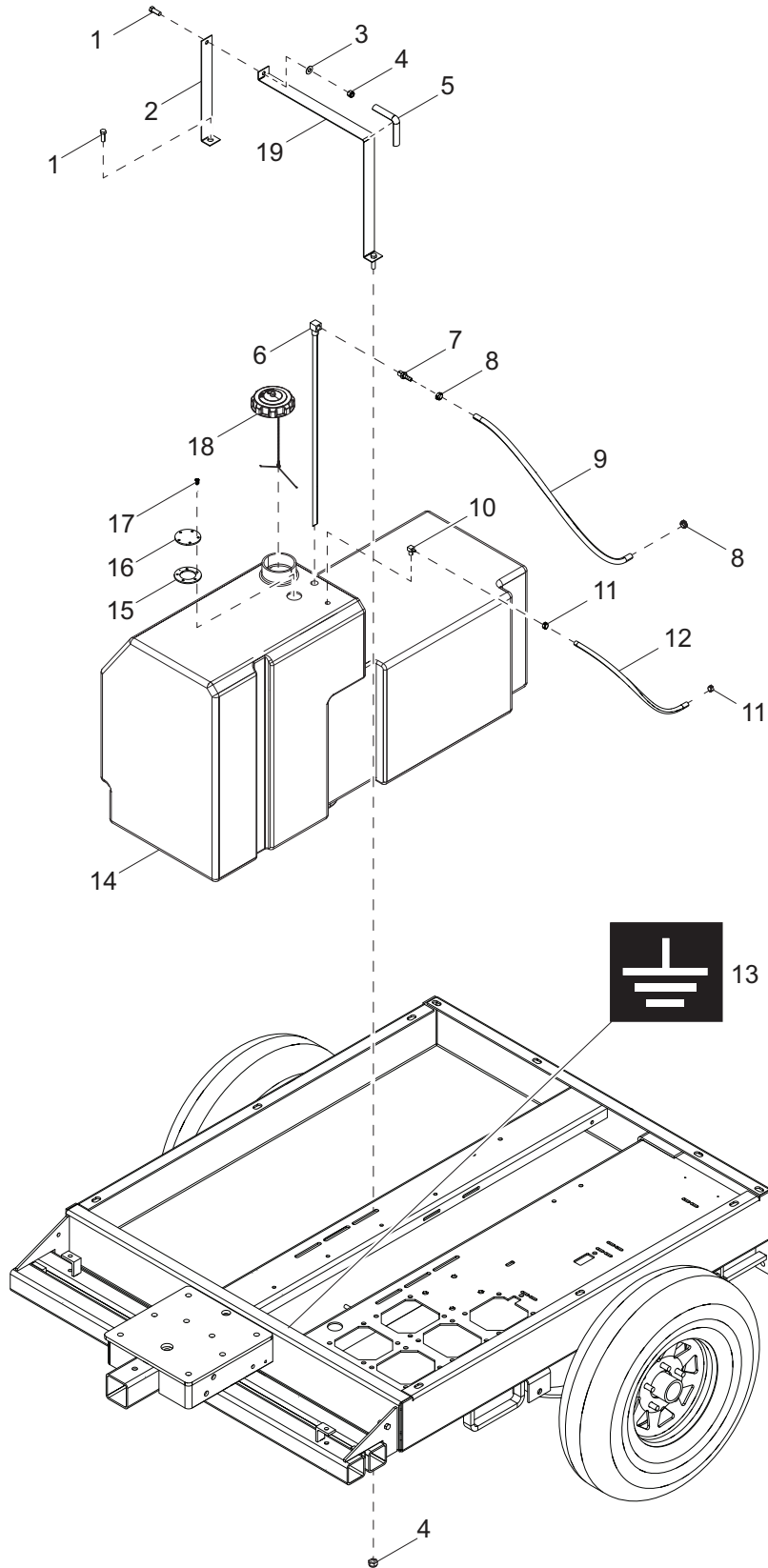
03462

GENERATOR ASSEMBLY

Item	Part No.	Qty	Description	Notes
1	61082	8	Screw, M8-1.25 x 20 standard hex, G8.8	
2	60166	8	Washer, M8 flat	
3	60795	8	Stud, M10-1.25 x 48 - 2 ends threaded	
4	60275	2	Screw, .500-13 x 1.00 standard hex, G5	
5	60702	2	Washer, .500 split lock - SS	
6	15241	2	Isolator, 80-200 pounds - rubber	
7	60205	2	Screw, .375-16 x 1.99 standard hex, G5	
8	60026	10	Washer, M10 split lock	
9	11597B	1	Bracket, generator mount	
10	60344	8	Nut, M10-1.25 hex - SS	
11	13740	1	Generator, Marathon 331CSA, 8KW, 60HZ	
12	14219	1	Strain relief, .750 Romex - w/nut	
--	65684	1	Harness, lead	

Note: Engine and generator parts used in all Generac Mobile Products equipment carry the Original Equipment Manufacturer (OEM) warranty unless otherwise stated. OEM warranty parts must be purchased through an OEM dealer. Please contact Generac Mobile Products with questions.

FUEL TANK TO UNIT

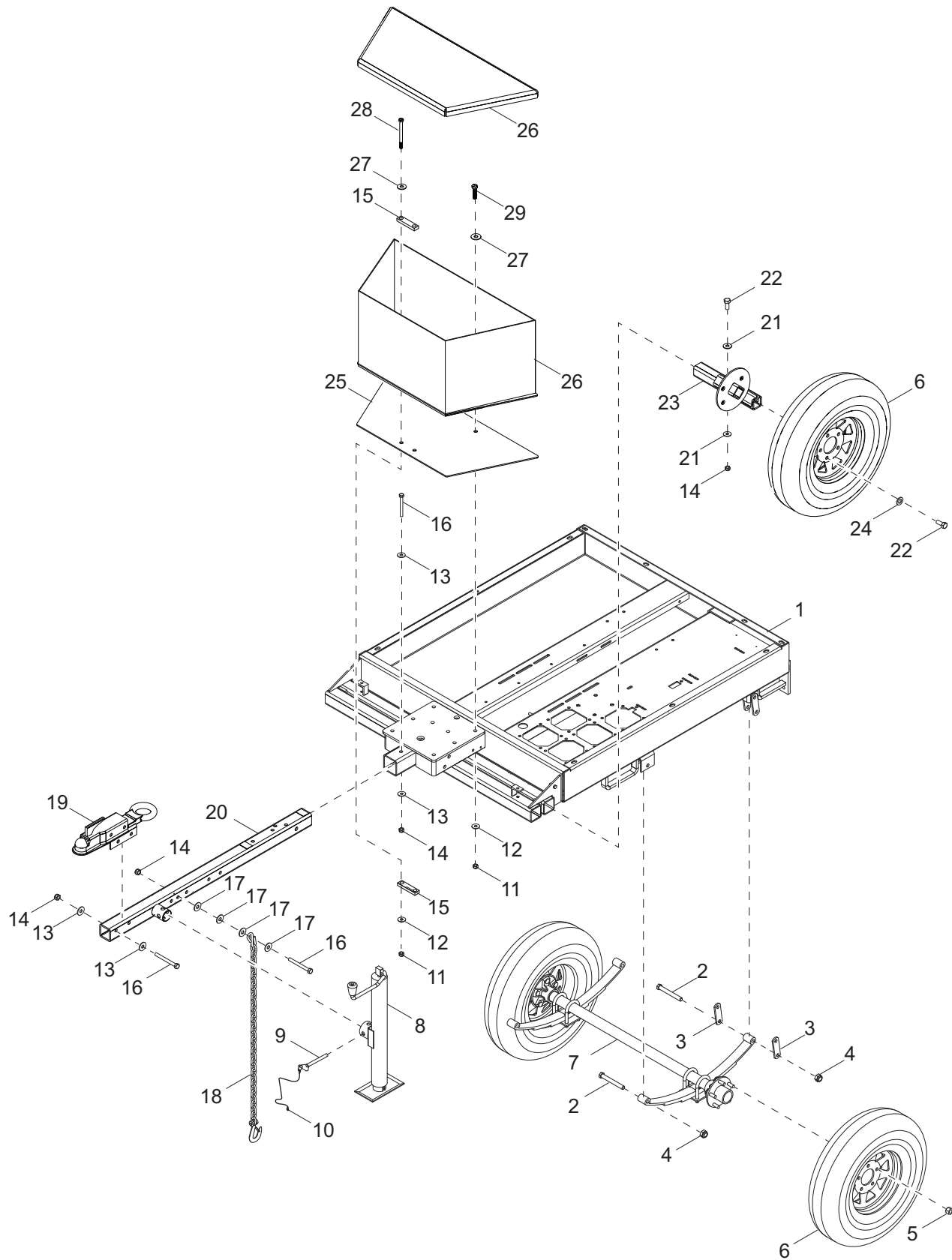


03463

FUEL TANK TO UNIT

Item	Part No.	Qty	Description	Notes
1	60690	2	Screw, .375-16 x 1.00 standard hex, SS	
2	12361B	1	Weldment, fuel tank strap	
3	60698	1	Washer, .375 flat .875/.040, SS	
4	60358	1	Nut, .375-16 nylock, G5	
5	50187	.5 ft	Weatherstripping, .06 x 1.00	
6	12259	1	Fuel pick-up tube - 24 in	
7	15142	1	Fitting, strt - .250NPT x .312 barb	
8	60777	2	Clamp, hose - .312, crimp style	
9	50018	3.0 ft	Hose, fuel .312 ID 50 PSI SAE 30R7	
10	16271	1	Fitting, 90° - .250NPT x .188 barb	
11	60778	2	Clamp, hose - .188, crimp style	
12	14211	2.0 ft	Hose, fuel - .188 ID, 50 psi, SAE 30R7	
13	12142	1	Decal, ground	
14	39998	1	Tank, fuel - 56 gallon	34780 -tank only
15	N/A	1	Gasket, plate cover	w/ A0001557886
16	N/A	1	Plate, cover	w/ A0001557886
17	60068	5	Screw, 10-24 x .500 pan Phillips, G2	w/ A0001557886
18	12137	1	Cap, fuel tank, with lanyard	
19	12359B	1	Weldment, fuel strap -large	

TRAILER ASSEMBLY

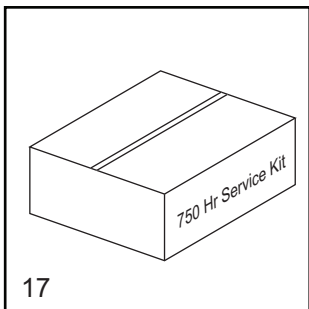
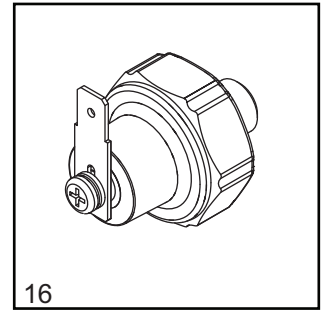
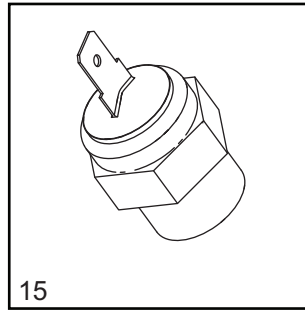
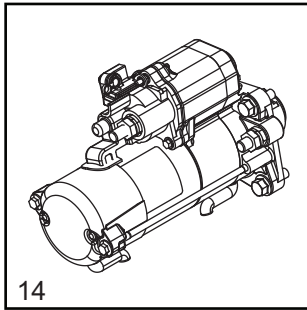
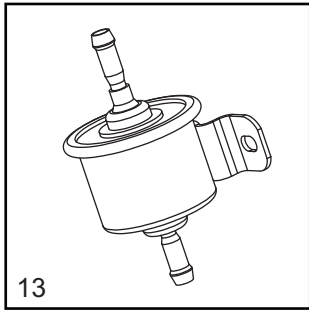
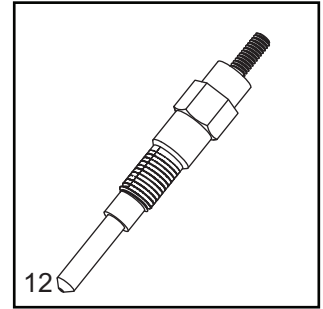
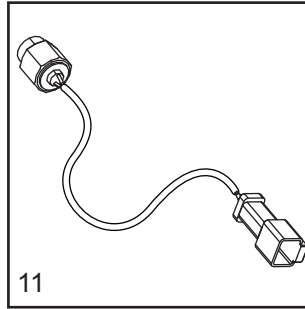
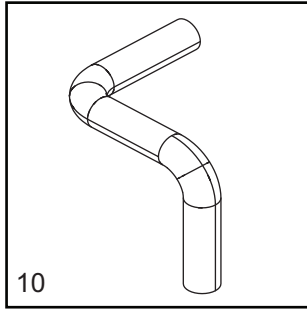
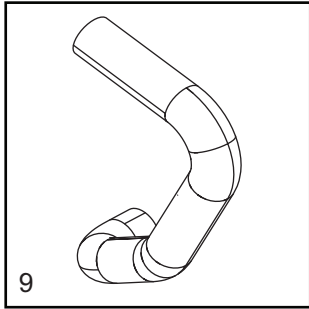
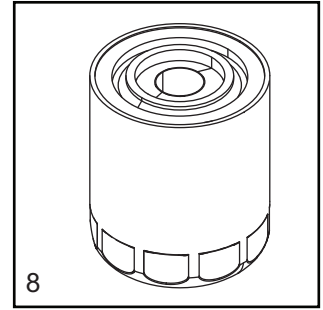
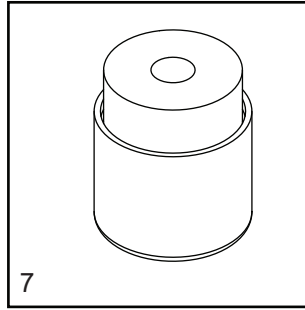
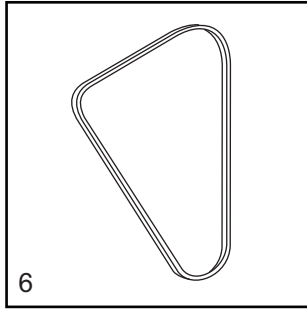
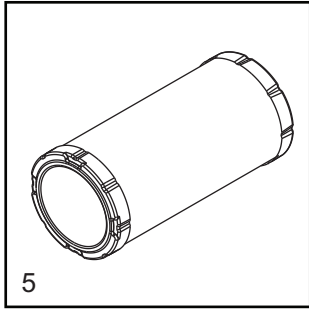
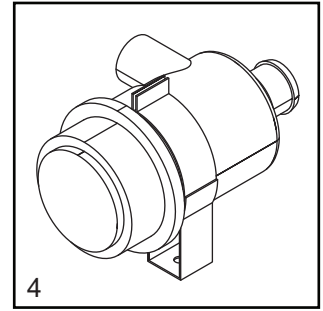
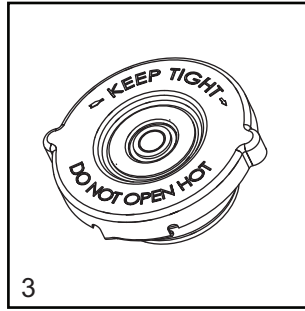
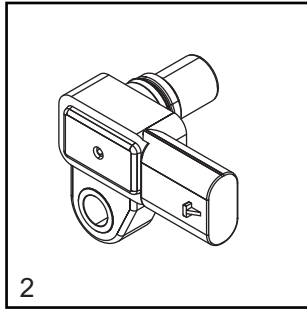
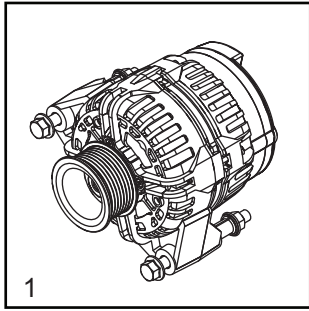


03464

TRAILER ASSEMBLY

Item	Part No.	Qty	Description	Notes
1	10496B	1	Weldment, chassis	
2	60503	6	Screw, shackle, .562-18 x 3.0 std hex, G5	
3	19637	4	Plate, shackle bracket	
4	60504	6	Nut, .562-18 lock, G5	
5	60096	10	Nut, .500-20 lug, G5	
6	15976B	3	Wheel, ST170/80D13, 1360 lb	
7	16593	1	Axle, 2200 lb.	
8	13051	1	Jack, top wind - 2000 lb	
9	23256	4	Pin, jack - 2000 lb, tube mount	qty 1 each
10	12647	4	Cable, tether - jack pin and ground rod cover	qty 1 each
11	60358	4	Nut, .375-16 nylock, G5	
12	60386	4	Washer, .375 flat .993/.064	
13	G022304	6	Washer, flat 1.060/.090	
14	62221	10	Nut, .500-13 nylock, G5	
15	A0001523564	2	Spacer, toolbox - black	
16	50215	6	Screw, .500-13 x 4.0 std hex, G5	
17	60416	8	Washer, .500 flat 1.375/.090	
18	23367	2	Chain, safety	
19	A0001525441	1	Weldment, combo hitch - 2.50 tongue	
20	70184B	1	Weldment, removable tongue - tube mount jack	
21	G022304	4	Washer, .500 flat	
22	60388	4	Screw, .500-13 x 1.50 standard hex, G5	
23	12235B	1	Weldment, spare tire holder - black	
24	60700	2	Washer, .500 flat 1.250/.060 - SS	
25	A0000763726	1	Pan, toolbox	
26	34269	1	Toolbox, trailer front, 34.00 x 14.50 x 15.00 - aluminum	
27	60729	2	Washer, .375 fender 1.50/.090	
28	60402	2	Screw, .375-16 x 4.50 standard hex, G5	
29	60139	2	Screw, .375-16 x 1.50 standard hex, G5	

RECOMMENDED SPARE PARTS - ENGINE AND SERVICE KITS



RECOMMENDED SPARE PARTS - ENGINE AND SERVICE KITS

ENGINE

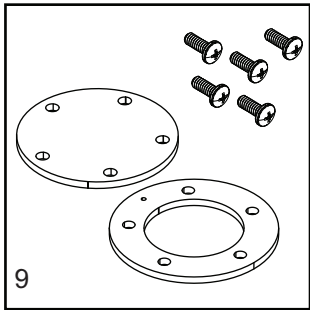
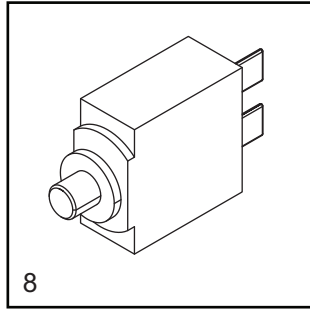
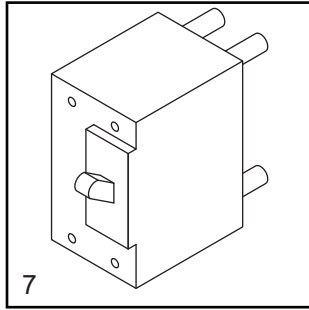
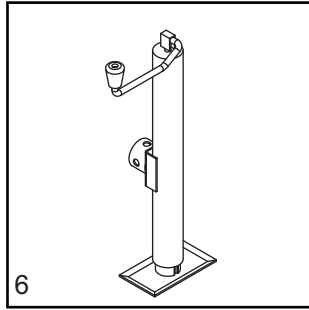
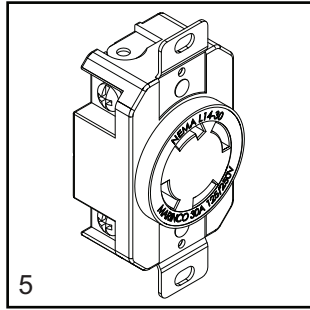
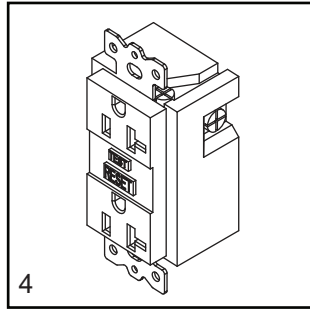
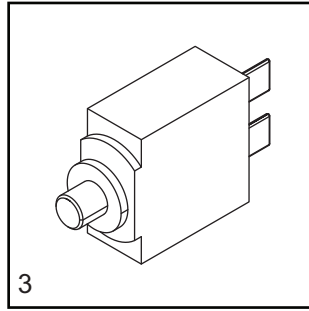
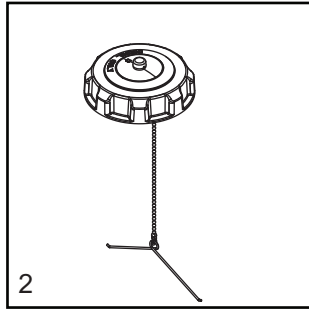
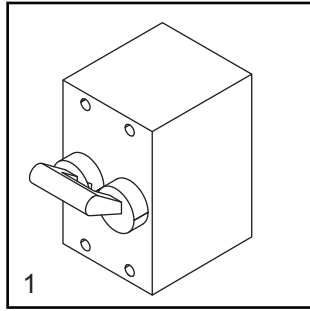
1. Alternator	A0000163162
2. Atmospheric pressure sensor	72175SRV
3. Cap, radiator	19219
4. Assembly, air filter	34066
5. Filter, air (element)	16444
6. Belt	10386
7. Filter, fuel	17641SRV
8. Filter, oil	A0000630832
9. Hose, radiator - lower	15185
10. Hose, radiator - upper	11891
11. Magnetic pick-up	A0000116158
12. Plug, glow	16693SRV
13. Pump, fuel	A0000163161
14. Starter	70232
15. Switch, coolant temperature	16678
16. Switch, oil pressure	A0000163166

SERVICE KITS

17. 750 hour kit	10000036108
------------------------	-------------

Includes: Air Filter 16444, Fuel Filter Element 17641SRV and Oil Filter A0000630832

RECOMMENDED SPARE PARTS - ELECTRICAL



RECOMMENDED SPARE PARTS - ELECTRICAL

ELECTRICAL

1. Breaker, 30A, 250V, 2-pole, stud terminal w/aux.....	65963
2. Cap, fuel tank with lanyard	16326
3. Breaker, 10A 240V, 1 pole - push button	65850
4. Receptacle, 120V/20A GFI	14130
5. Receptacle, 240V/30A twist L14-30.....	65488
6. Jack, top wind, 2000 lb	13051
7. Breaker, 40A 250V 2 pole - am stud term w/AU	65964
8. Breaker, 20A 120V, 1 pole - push button	65849
9.. Kit, sender plate.....	A0001557886

Part No. A0001485245 Rev. B 08/18/2022

©2022 Generac Power Systems, Inc.
All rights reserved

Specifications are subject to change without notice.
No reproduction allowed in any form without prior written consent
from Generac Power Systems, Inc.

GENERAC | **MOBILE**

Generac Power Systems, Inc.
S45 W29290 Hwy. 59, Waukesha WI 53189
GeneracMobileProducts.com | 844-ASK-GNRC | 844-275-4672